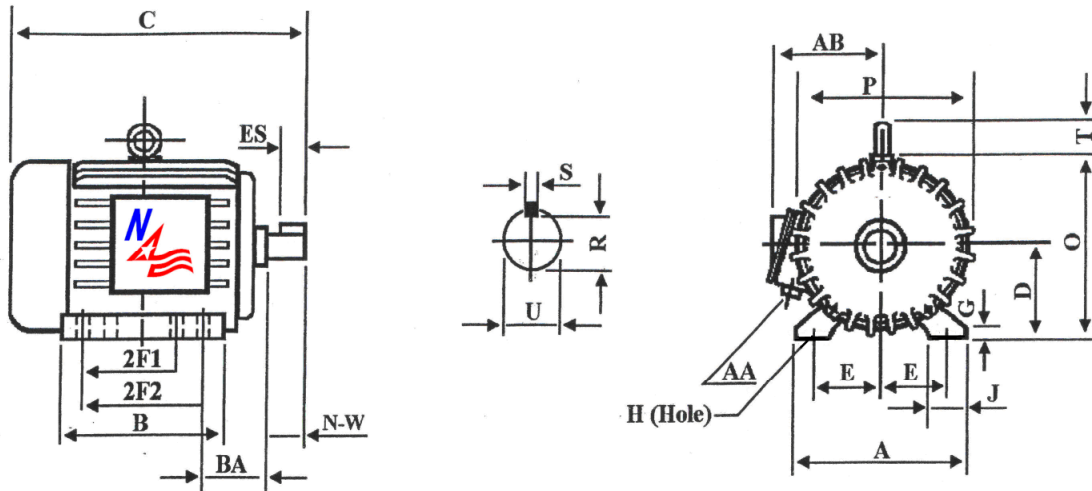


OWP1230

Special Purpose Oil Well Pump Motor

NEMA DESIGN D - THREE PHASE TEFC - HIGH TORQUE/HIGH SLIP (5-8%)



DIMENSIONS – INCHES

A	B	C	D	E	2F1	2F2	G	H	J	O
16	15.5	33.3	8	6.25	10.5	12	1.11	0.66	2.75	16
P	R	S	T	U	ES	AA	AB	BA	N-W	Mount
15.8	1.845	0.5	2.5	2.125	3.91	2	14.8	5.25	5.25	F2

PERFORMANCE DATA

Three Phase – 60Hz - 230/460/796V – NEMA Design D - Max. Ambient: 40° C

HP	Speed	Frame	NEMA Code	Efficiency (%)			Power Factor			Torque (ft-lb)		
				100%	75%	50%	100%	75%	50%	FLT	BDT	LRT
30	1110	326T	G	86.7	89.7	90.3	0.823	0.818	0.721	141.95	332.16	384.68
Amps (460V)		DE Bearing	ODE Bearing	Insulation Class	Enclosure Type	Service Factor	Weight (lbs)					
FLA	LRA											
38.7	209.3	6312	6312	F	TEFC	1.15	675					



North American Electric, Inc. 350 Vaiden Drive, Hernando, MS 38632

Toll Free: 1-800-884-0405 Phone: 662-429-8049 Fax: 662-429-8546

www.naemotors.com

60 Hz DATA FOR 3 PHASE AC INDUCTION MOTOR AS IT APPEARS ON THE NAMEPLATE.

OWP1230

CAT. NO: OWP1230		HP: 30		RATING: CONT.	
FRAME: 326T		RPM: 1110		Hz: 60	PHASE: 3
VOLTAGE: 230/460/796V			DESIGN: D	P.F.: 0.823	
AMP: 77.4/38.7/22.3			NEMA NOM. EFF.: 86.7%		
DRIVE END BRG: 6312		CODE: G		NEMA MIN. EFF.:	
OPP/END BRG: 6312		S.F.: 1.15		INS CLASS: F	
MAX. AMB: 40° C		ENCL: TEFC			
MOTOR WEIGHT: 675LBS					

Note: F.L. = Full Load P.F. = Power Factor S.F. = Service Factor

