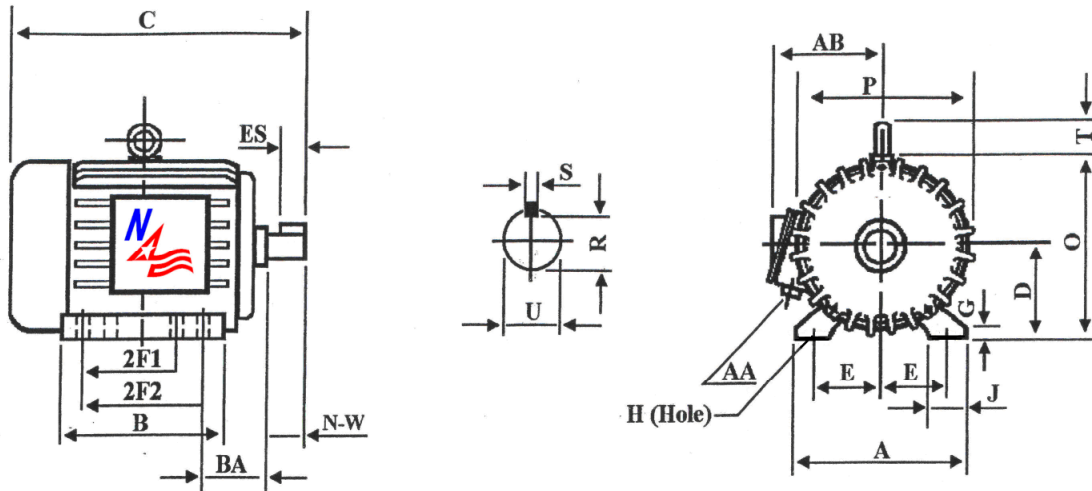


OWP1240

Special Purpose Oil Well Pump Motor

NEMA DESIGN D - THREE PHASE - HIGH TORQUE/HIGH SLIP (5-8%)



DIMENSIONS – INCHES

| | | | | | | | | | | |
|------|-------|-------|-----|-------|-------|-------|------|------|------|-------|
| A | B | C | D | E | 2F1 | 2F2 | G | H | J | O |
| 18 | 16.2 | 35.3 | 9 | 7 | 11.25 | 12.25 | 1.11 | 0.66 | 2.95 | 18.4 |
| P | R | S | T | U | ES | AA | AB | BA | N-W | Mount |
| 17.7 | 2.021 | 0.625 | 2.5 | 2.375 | 4.28 | 3 | 15.6 | 5.88 | 5.88 | F2 |

PERFORMANCE DATA

Three Phase – 60Hz - 230/460/796V – NEMA Design D - Max. Ambient: 40° C

| HP | Speed | Frame | NEMA Code | Efficiency (%) | | | Power Factor | | | Torque (ft-lb) | | |
|--------------|-------|------------|-------------|------------------|----------------|----------------|--------------|-------|-------|----------------|--------|--------|
| | | | | 100% | 75% | 50% | 100% | 75% | 50% | FLT | BDT | LRT |
| 40 | 1115 | 365T | G | 86.0 | 89.5 | 90.3 | .836 | 0.826 | 0.735 | 188.41 | 431.46 | 512.48 |
| Amps (460V) | | DE Bearing | ODE Bearing | Insulation Class | Enclosure Type | Service Factor | Weight (lbs) | | | | | |
| FLA | LRA | | | | | | | | | | | |
| 52.4 | 299.5 | 6314 | 6314 | F | TEFC | 1.15 | 884 | | | | | |



North American Electric, Inc. 350 Vaiden Drive, Hernando, MS 38632

Toll Free: 1-800-884-0405 Phone: 662-429-8049 Fax: 662-429-8546

www.naemotors.com



60 Hz DATA FOR 3 PHASE AC INDUCTION MOTOR AS IT APPEARS ON THE NAMEPLATE.

OWP1240

| | | | | | |
|------------------------------|--|-------------------|------------------------------|----------------------|-----------------|
| CAT. NO: OWP1240 | | HP: 40 | | RATING: CONT. | |
| FRAME: 365T | | RPM: 1115 | | Hz: 60 | PHASE: 3 |
| VOLTAGE: 230/460/796V | | | DESIGN: D | P.F.: 0.836 | |
| AMP: 104.8/52.4/30.3 | | | NEMA NOM. EFF.: 86.0% | | |
| DRIVE END BRG: 6314 | | CODE: G | NEMA MIN. EFF.: | | |
| OPP/END BRG: 6314 | | S.F.: 1.15 | INS CLASS: F | | |
| MAX. AMB: 40° C | | ENCL: TEFC | | | |
| MOTOR WEIGHT: 884LBS | | | | | |

Note: F.L. = Full Load P.F. = Power Factor S.F. = Service Factor



North American Electric, Inc. 350 Vaiden Drive, Hernando, MS 38632
 Toll Free: 1-800-884-0405 Phone: 662-429-8049 Fax: 662-429-8546
www.naemotors.com