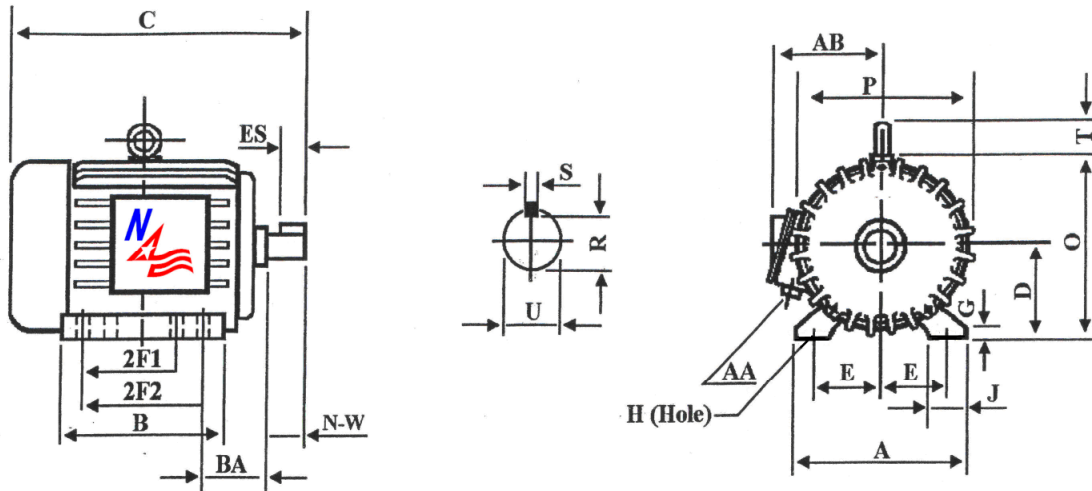


# OWP1260

## Special Purpose Oil Well Pump Motor

NEMA DESIGN D - THREE PHASE - HIGH TORQUE/HIGH SLIP (5-8%)



### DIMENSIONS – INCHES

A	B	C	D	E	2F1	2F2	G	H	J	O
20	17.8	40	10	8	12.25	13.75	1.18	0.81	3.15	20.2
P	R	S	T	U	ES	AA	AB	BA	N-W	Mount
19.2	2.45	0.75	2.91	2.875	5.65	3	18.5	6.62	7.25	F2

### PERFORMANCE DATA

Three Phase – 60Hz - 230/460/796V – NEMA Design D - Max. Ambient: 40° C

HP	Speed	Frame	NEMA Code	Efficiency (%)			Power Factor			Torque (ft-lb)		
				100%	75%	50%	100%	75%	50%	FLT	BDT	LRT
60	1105	405T	G	87.1	89.8	90.8	0.872	0.863	0.787	285.18	704.39	921.13
Amps (460V)		DE Bearing	ODE Bearing	Insulation Class	Enclosure Type	Service Factor	Weight (lbs)					
FLA	LRA											
74.4	448.2	6316	6314	F	TEFC	1.15	1300					



North American Electric, Inc. 350 Vaiden Drive, Hernando, MS 38632

Toll Free: 1-800-884-0405 Phone: 662-429-8049 Fax: 662-429-8546

[www.naemotors.com](http://www.naemotors.com)

**60 Hz DATA FOR 3 PHASE AC INDUCTION MOTOR AS IT APPEARS ON THE NAMEPLATE.**

## **OWP1260**

<b>CAT. NO: OWP1260</b>		<b>HP: 60</b>		<b>RATING: CONT.</b>	
<b>FRAME: 405T</b>		<b>RPM: 1105</b>		<b>Hz: 60</b>	<b>PHASE: 3</b>
<b>VOLTAGE: 230/460/796V</b>			<b>DESIGN: D</b>	<b>P.F.: 0.872</b>	
<b>AMP: 148.8/74.4/43.0</b>			<b>NEMA NOM. EFF.: 87.1%</b>		
<b>DRIVE END BRG: 6316</b>		<b>CODE: G</b>		<b>NEMA MIN. EFF.:</b>	
<b>OPP/END BRG: 6314</b>		<b>S.F.: 1.15</b>		<b>INS CLASS: F</b>	
<b>MAX. AMB: 40° C</b>		<b>ENCL: TEFC</b>			
<b>MOTOR WEIGHT: 1300LBS</b>					

**Note: F.L. = Full Load P.F. = Power Factor S.F. = Service Factor**