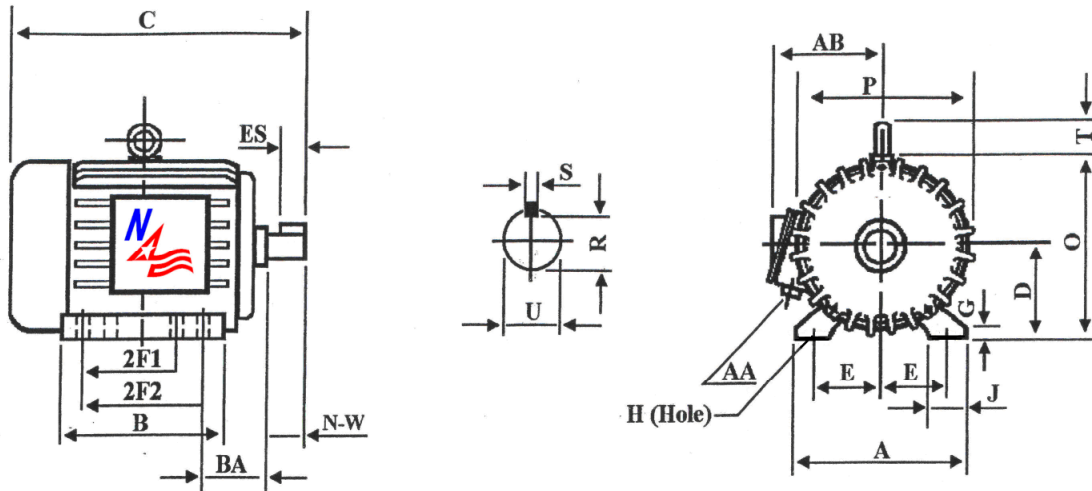


# OWP1272

## Special Purpose Oil Well Pump Motor

NEMA DESIGN D - THREE PHASE - HIGH TORQUE/HIGH SLIP (5-8%)



### DIMENSIONS – INCHES

A	B	C	D	E	2F1	2F2	G	H	J	O
12.5	12.5	26.2	6.25	5	8.25	10	0.8	0.53	2.75	12.8
P	R	S	T	U	ES	AA	AB	BA	N-W	Mount
14.1	1.416	0.375	2.35	1.625	2.91	1.25	12	4.25	4	F2

### PERFORMANCE DATA

Three Phase – 60Hz - 230/460/796V – NEMA Design D - Max. Ambient: 40° C

HP	Speed	Frame	NEMA Code	Efficiency (%)			Power Factor			Torque (ft-lb)		
				100%	75%	50%	100%	75%	50%	FLT	BDT	LRT
7.5	1095	254T	G	79.2	84.1	83.4	0.739	0.711	0.585	35.97	89.93	98.92
Amps (460V)		DE Bearing	ODE Bearing	Insulation Class	Enclosure Type	Service Factor	Weight (lbs)					
FLA	LRA											
11.8	56.7	6309	6309	F	TEFC	1.15	342					



North American Electric, Inc. 350 Vaiden Drive, Hernando, MS 38632

Toll Free: 1-800-884-0405 Phone: 662-429-8049 Fax: 662-429-8546

[www.naemotors.com](http://www.naemotors.com)

## NAMEPLATE DATA:

Below is a presentation of the 60Hz data as it appears on the nameplate.

### OWP1272

CAT. NO: OWP1272		HP: 7.5		RATING: CONT.	
FRAME: 254T		RPM: 1095		Hz: 60	PHASE: 3
VOLTAGE: 230/460/796V			DESIGN: D	P.F.: 0.739	
AMP: 23.6/11.8/6.8			NEMA NOM. EFF.: 79.2%		
DRIVE END BRG: 6309		CODE: G	NEMA MIN. EFF.:		
OPP/END BRG: 6309		S.F.: 1.15	INS CLASS: F		
MAX. AMB: 40° C		ENCL: TEFC			
MOTOR WEIGHT: 342LBS					

**Note: F.L. = Full Load P.F. = Power Factor S.F. = Service Factor**



North American Electric, Inc. 350 Vaiden Drive, Hernando, MS 38632

Toll Free: 1-800-884-0405 Phone: 662-429-8049 Fax: 662-429-8546

[www.naemotors.com](http://www.naemotors.com)