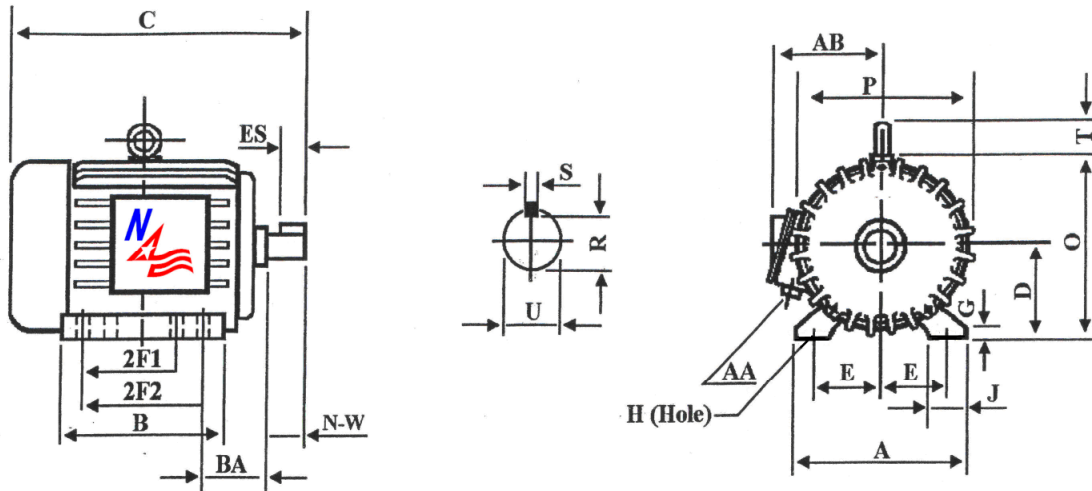


# OWP1275

## Special Purpose Oil Well Pump Motor

NEMA DESIGN D, THREE PHASE - HIGH TORQUE/HIGH SLIP ( 5-8%)



### DIMENSIONS – INCHES

A	B	C	D	E	2F1	2F2	G	H	J	O
22	20.5	47.3	11	9	14.5	16.5	1.38	0.81	3.35	21.8
P	R	S	T	U	ES	AA	AB	BA	N-W	Mount
21.6	2.88	0.875	4.25	3.375	6.91	3	19.5	7.5	8.5	F2

### PERFORMANCE DATA

Three Phase – 60Hz - 230/460/796V – NEMA Design D - Max. Ambient: 40° C

HP	Speed	Frame	NEMA Code	Efficiency (%)			Power Factor			Torque (ft-lb)		
				100%	75%	50%	100%	75%	50%	FLT	BDT	LRT
75	1125	444T	H	89.3	89.9	90.4	0.868	0.794	0.683	350.13	1060.89	1235.96
Amps ( 460V)		DE Bearing	ODE Bearing	Insulation Class	Enclosure Type	Service Factor	Weight (lbs)					
FLA	LRA											
89.1	639.1	6318	6314	F	TEFC	1.15	1724					



North American Electric, Inc. 350 Vaiden Drive, Hernando, MS 38632

Toll Free: 1-800-884-0405 Phone: 662-429-8049 Fax: 662-429-8546

[www.naemotors.com](http://www.naemotors.com)



**60 Hz DATA FOR 3 PHASE AC INDUCTION MOTOR AS IT APPEARS ON THE NAMEPLATE.**

## **OWP1275**

<b>CAT. NO: OWP1275</b>		<b>HP: 75</b>		<b>RATING: CONT.</b>	
<b>FRAME: 444T</b>		<b>RPM: 1125</b>		<b>Hz: 60</b>	<b>PHASE: 3</b>
<b>VOLTAGE: 230/460/796V</b>			<b>DESIGN: D</b>	<b>P.F.: 0.868</b>	
<b>AMP: 178.2/89.1/51.4</b>			<b>NEMA NOM. EFF.: 89.3%</b>		
<b>DRIVE END BRG: 6318</b>		<b>CODE: H</b>	<b>NEMA MIN. EFF.:</b>		
<b>OPP/END BRG: 6314</b>		<b>S.F.: 1.15</b>	<b>INS CLASS: F</b>		
<b>MAX. AMB: 40° C</b>		<b>ENCL: TEFC</b>			
<b>MOTOR WEIGHT: 1724LBS</b>					

**Note: F.L. = Full Load P.F. = Power Factor S.F. = Service Factor**



North American Electric, Inc. 350 Vaiden Drive, Hernando, MS 38632  
 Toll Free: 1-800-884-0405 Phone: 662-429-8049 Fax: 662-429-8546  
[www.naemotors.com](http://www.naemotors.com)