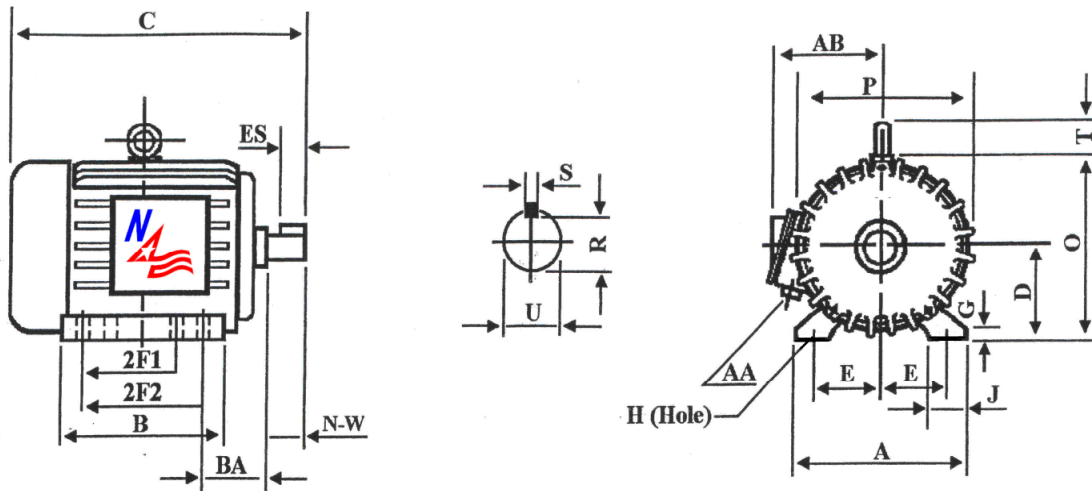


# XP1201

## General Purpose Explosion Proof Motor

Class I, Division I, Groups C & D and Class II, Division I, Groups E, F and G - Operating Temperature Code: T3C



### DIMENSIONS – INCHES

| A   | B     | C     | D   | E     | 2F1  | 2F2  | G   | H    | J    | O     |
|-----|-------|-------|-----|-------|------|------|-----|------|------|-------|
| 7   | 6.9   | 14.6  | 3.5 | 2.75  | 4    | 5    | 0.5 | 0.3  | 1.4  | 7.6   |
| P   | R     | S     | T   | U     | ES   | AA   | AB  | BA   | N-W  | Mount |
| 7.5 | 0.771 | 0.188 | 1.6 | 0.875 | 1.41 | 0.75 | 6.9 | 2.25 | 2.25 | F1    |

### PERFORMANCE DATA

Three Phase – 60Hz - 208-230/460V – NEMA Design B – Max. Ambient: 40° C

| HP           | Speed | Frame      | NEMA Code   | Efficiency (%)   |                |                | Power Factor |       |       | Torque (ft-lb) |      |     |
|--------------|-------|------------|-------------|------------------|----------------|----------------|--------------|-------|-------|----------------|------|-----|
|              |       |            |             | 100%             | 75%            | 50%            | 100%         | 75%   | 50%   | FLT            | BDT  | LRT |
| 1            | 1166  | 145T       | K           | 80.0             | 79.7           | 76.2           | 0.620        | 0.539 | 0.411 | 4.5            | 12.3 | 7.8 |
| Amps ( 460V) |       | DE Bearing | ODE Bearing | Insulation Class | Enclosure Type | Service Factor | Weight (lbs) |       |       |                |      |     |
| FLA          | LRA   |            |             |                  |                |                |              |       |       |                |      |     |
| 1.9          | 15    | 6205-ZZ    | 6205-ZZ     | F                | TEFC           | 1.15           | 71           |       |       |                |      |     |



North American Electric, Inc. 350 Vaiden Drive, Hernando, MS 38632

Toll Free: 1-800-884-0405 Phone: 662-429-8049 Fax: 662-429-8546

[www.naemotors.com](http://www.naemotors.com)



**50Hz AND 60Hz DATA FOR 3 PHASE AC INDUCTION MOTOR AS IT APPEARS ON THE NAMEPLATE.**

## **XP1201**

|  |                              |                     |                |                              |                |                            |                      |
|--|------------------------------|---------------------|----------------|------------------------------|----------------|----------------------------|----------------------|
| <b>CAT. NO: XP1201</b>   |                              | <b>FRAME: 145T</b>  |                | <b>ENCL: TEFC</b>            |                | <b>PHASE: 3</b>            |                      |
| <b>SHAFT END BRG: 6205-ZZ</b>  |                              |                     |                | <b>OPP/END BRG: 6205-ZZ</b>  |                |                            |                      |
| <b>MAX. AMB: 40° C</b>   |                              | <b>INS CLASS: F</b> |                | <b>RATING: CONT.</b>         |                | <b>MOTOR WEIGHT: 71LBS</b> |                      |
| <b>USABLE ON 208V 60HZ AT: 4.2 MAX. AMPS</b>                               |                              |                     |                |                              |                | <b>SER:</b>                |                      |
| <b>DIVISION I, CLASS I, GROUPS C &amp; D CLASS II, GROUPS E, F &amp; G</b> |                              |                     |                |                              |                | <b>OP TEMP CODE: T3C</b>   |                      |
| <b>60 HERTZ DATA</b>   | <b>HP: 1 RPM: 1166</b>       |                     |                | <b>HP: 1 RPM: 945</b>        |                |                            | <b>50 HERTZ DATA</b> |
|  | <b>VOLTAGE: 230/460V</b>     |                     |                | <b>VOLTAGE: 190/380V</b>     |                |                            |                      |
|  | <b>F. L. AMPS: 3.8/1.9</b>   |                     |                | <b>F. L. AMPS: 3.06/1.53</b> |                |                            |                      |
|  | <b>S.F. AMPS: 4.4/2.2</b>    |                     |                | <b>S.F. AMPS: 3.06/1.53</b>  |                |                            |                      |
|  | <b>S.F. 1.15</b>             | <b>DESIGN: B</b>    | <b>CODE: K</b> | <b>S.F. 1.0</b>              | <b>DESIGN:</b> | <b>CODE: S</b>             |                      |
|  | <b>NEMA NOM. EFF: 80.0%</b>  |                     |                | <b>NEMA NOM. EFF: 74.0%</b>  |                |                            |                      |
|  | <b>NOM. P. F.: 0.620</b>     |                     |                | <b>NOM. P. F.: 0.738</b>     |                |                            |                      |
|  | <b>NEMA MIN. EFF.: 77.0%</b> |                     |                | <b>NEMA MIN. EFF.: 70.0%</b> |                |                            |                      |
|  | <b>MAX. KVAR: 1.34</b>       |                     |                | <b>MAX. KVAR: 0.68</b>       |                |                            |                      |

**Note: F.L. = Full Load      P.F. = Power Factor      S.F. = Service Factor**



**North American Electric, Inc. 350 Vaiden Drive, Hernando, MS 38632**

**Toll Free: 1-800-884-0405 Phone: 662-429-8049 Fax: 662-429-8546**

[www.naemotors.com](http://www.naemotors.com)