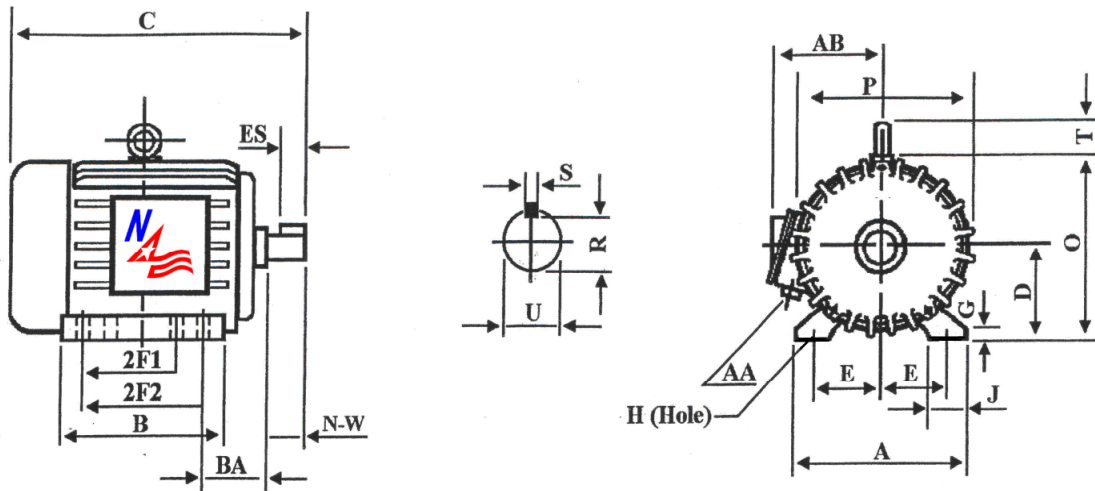


## XP3615

### General Purpose Explosion Proof Motor

Class I, Division I, Groups C & D and Class II, Division I, Groups E, F and G - Operating Temperature Code: T3C



#### DIMENSIONS – INCHES

A	B	C	D	E	2F1	2F2	G	H	J	O
12.5	12.5	26.2	6.25	5.0	8.25	10	0.9	0.5	2.8	13.4
P	R	S	T	U	ES	AA	AB	BA	N-W	Mount
14.1	1.416	0.375	2.4	1.625	2.91	1.25	13.6	4.25	4	F1

#### PERFORMANCE DATA

Three Phase – 60Hz - 208-230/460V – NEMA Design B – Max. Ambient: 40° C

HP	Speed	Frame	NEMA Code	Efficiency (%)			Power Factor			Torque (ft-lb)		
				100%	75%	50%	100%	75%	50%	FLT	BDT	LRT
15	3535	254T	G	90.2	91.3	91.2	0.895	0.907	0.852	22.29	45.9	30.2
Amps ( 460V)		DE Bearing	ODE Bearing	Insulation Class	Enclosure Type	Service Factor	Weight (lbs)					
FLA	LRA											
17.1	116	6309	6309	F	TEFC	1.15	385					



North American Electric, Inc. 350 Vaiden Drive, Hernando, MS 38632

Toll Free: 1-800-884-0405 Phone: 662-429-8049 Fax: 662-429-8546

[www.naemotors.com](http://www.naemotors.com)



**50Hz AND 60Hz DATA FOR 3 PHASE AC INDUCTION MOTOR AS IT APPEARS ON THE NAMEPLATE.**

## **XP3615**

CAT. NO: XP3615		FRAME: 254T		ENCL: TEFC		PHASE: 3	
SHAFT END BRG: 6309				OPP/END BRG: 6309			
MAX. AMB: 40° C		INS CLASS: F		RATING: CONT.		MOTOR WEIGHT: 385LBS	
USABLE ON 208V 60HZ AT: 37.8 MAX. AMPS						SER:	
DIVISION I, CLASS I, GROUPS C & D CLASS II, GROUPS E, F & G						OP TEMP CODE: T3C	
60 HERTZ DATA	HP: 15 RPM: 3535			HP: 15 RPM: 2920			50 HERTZ DATA
	VOLTAGE: 230/460V			VOLTAGE: 190/380V			
	F. L. AMPS: 34.2/17.1			F. L. AMPS: 40.8/20.4			
	S.F. AMPS: 39.4/19.7			S.F. AMPS: 40.8/20.4			
	S.F. 1.15	DESIGN: B	CODE: G	S.F. 1.0	DESIGN:	CODE: H	
	NEMA NOM. EFF: 90.2%			NEMA NOM. EFF: 88.5%			
	NOM. P. F.: 0.895			NOM. P. F.: 0.926			
	NEMA MIN. EFF.: 88.5%			NEMA MIN. EFF.: 86.5%			
	MAX. KVAR: 3.91			MAX. KVAR: 2.96			

**Note: F.L. = Full Load      P.F. = Power Factor      S.F. = Service Factor**



North American Electric, Inc. 350 Vaiden Drive, Hernando, MS 38632  
 Toll Free: 1-800-884-0405 Phone: 662-429-8049 Fax: 662-429-8546  
[www.naemotors.com](http://www.naemotors.com)