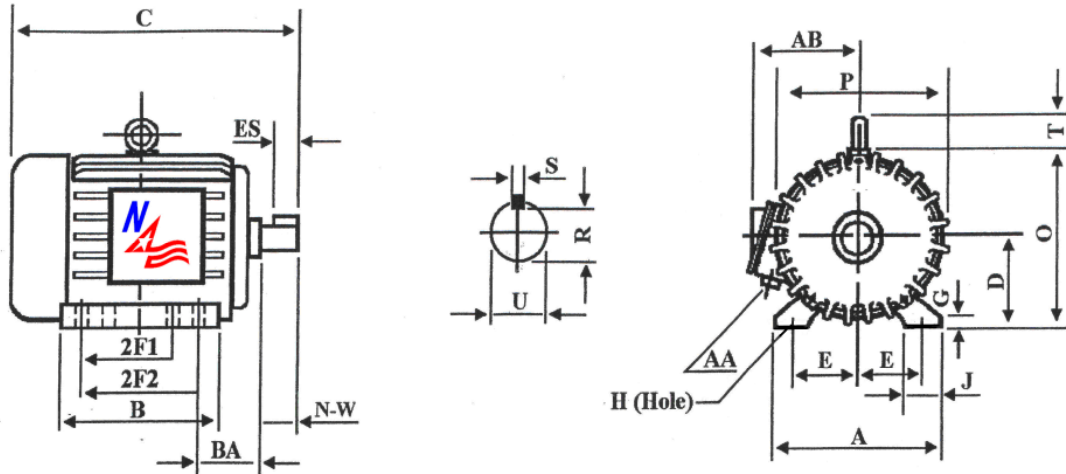


PE256T-20-4C

PREMIUM CRUSHER DESIGN MOTOR

Inverter Rated (10:1 Variable Torque; 5:1 Constant Torque)



DIMENSIONS – INCHES

A	B	C	D	E	2F1	2F2	G	H	J	O
13.0	12.2	25.0	6.25	5.0	8.25	10.0	0.8	.53	2.87	13.0
P	R	S	T	U	ES	AA	AB	BA	N-W	Mount
12.4	1.416	.375	2.2	1.625	2.91	1.25	10.1	4.25	4.0	F1

PERFORMANCE DATA

Three Phase – 60Hz - 208-230/460V – NEMA Design C - Max. Ambient: 40° C

HP	Speed	Frame	NEMA Code	Efficiency (%)			Power Factor (%)			Torque (ft-lb)		
				100%	75%	50%	100%	75%	50%	FLT	BDT%	LRT%
20	1745	256T	G	91.0	91.2	91.0	85.0	85.0	78.0	60.2	220	210
Amps (460V)		DE Bearing	ODE Bearing	Insulation Class	Enclosure Type	Service Factor	Weight (lbs)					
FLA	LRA											
24.2	145.0	6309	6309	F	TEFC	1.15	285					



North American Electric, Inc. 350 Vaiden Drive, Hernando, MS 38632

Toll Free: 1-800-884-0405 Phone: 662-429-8049 Fax: 662-429-8546

www.naemotors.com