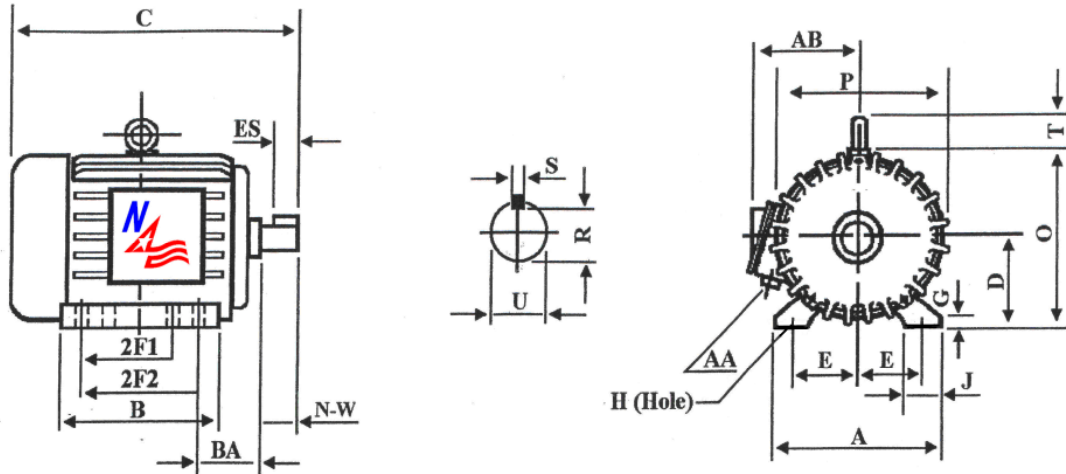


## PE256T-7.5-8C

### PREMIUM CRUSHER DESIGN MOTOR

Inverter Rated (10:1 Variable Torque; 5:1 Constant Torque)



#### DIMENSIONS – INCHES

A	B	C	D	E	2F1	2F2	G	H	J	O
13.0	12.2	25.0	6.25	5.0	8.25	10.0	0.8	.53	2.87	13.0
P	R	S	T	U	ES	AA	AB	BA	N-W	Mount
12.4	1.416	.375	2.2	1.625	2.91	1.25	10.1	4.25	4.0	F1

#### PERFORMANCE DATA

Three Phase – 60Hz - 208-230/460V – NEMA Design C - Max. Ambient: 40° C

HP	Speed	Frame	NEMA Code	Efficiency (%)			Power Factor (%)			Torque (ft-lb)		
				100%	75%	50%	100%	75%	50%	FLT	BDT%	LRT%
7.5	880	256T	H	85.5	87.7	85.9	66.0	55.0	46.1	44.8	290	200
Amps ( 460V)		DE Bearing	ODE Bearing	Insulation Class	Enclosure Type	Service Factor	Weight (lbs)					
FLA	LRA											
12.3	64.0	6309	6309	F	TEFC	1.15	271					



North American Electric, Inc. 350 Vaiden Drive, Hernando, MS 38632

Toll Free: 1-800-884-0405 Phone: 662-429-8049 Fax: 662-429-8546

[www.naemotors.com](http://www.naemotors.com)