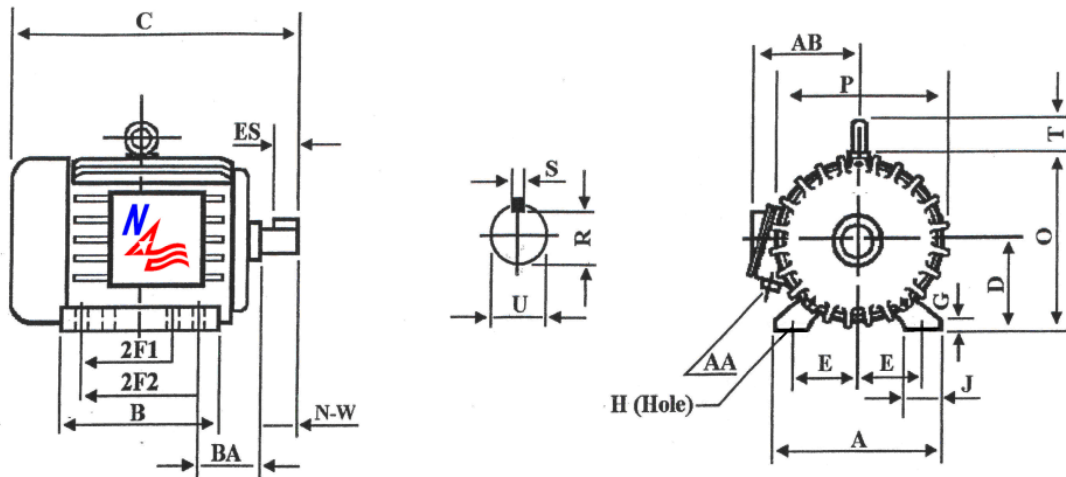


PE284T-15-6C

PREMIUM CRUSHER DESIGN MOTOR

Inverter Rated (10:1 Variable Torque; 5:1 Constant Torque)



DIMENSIONS – INCHES

A	B	C	D	E	2F1	2F2	G	H	J	O
14.0	11.7	26.6	7.0	5.5	9.5	NA	.80	.53	2.76	14.5
P	R	S	T	U	ES	AA	AB	BA	N-W	Mount
14.0	1.591	.50	2.2	1.875	3.28	1.5	11.3	4.75	4.62	F1

PERFORMANCE DATA

Three Phase – TEFC – AC Motor – 60Hz - 208-230/460V – NEMA Design C- Max. Ambient: 40° C

HP	Speed	Frame	NEMA Code	Efficiency (%)			Power Factor (%)			Torque (ft-lb)		
				100%	75%	50%	100%	75%	50%	FLT	BDT%	LRT%
15	1175	284T	G	90.2	90.0	89.5	84.0	81.0	72.0	67.2	265	225
Amps (460V)		DE Bearing	ODE Bearing	Insulation Class	Enclosure Type	Service Factor	Weight (lbs)					
FLA	LRA											
19.5	116.0	6311	6311	F	TEFC	1.15	363					



North American Electric, Inc. 350 Vaiden Drive, Hernando, MS 38632

Toll Free: 1-800-884-0405 Phone: 662-429-8049 Fax: 662-429-8546

www.naemotors.com