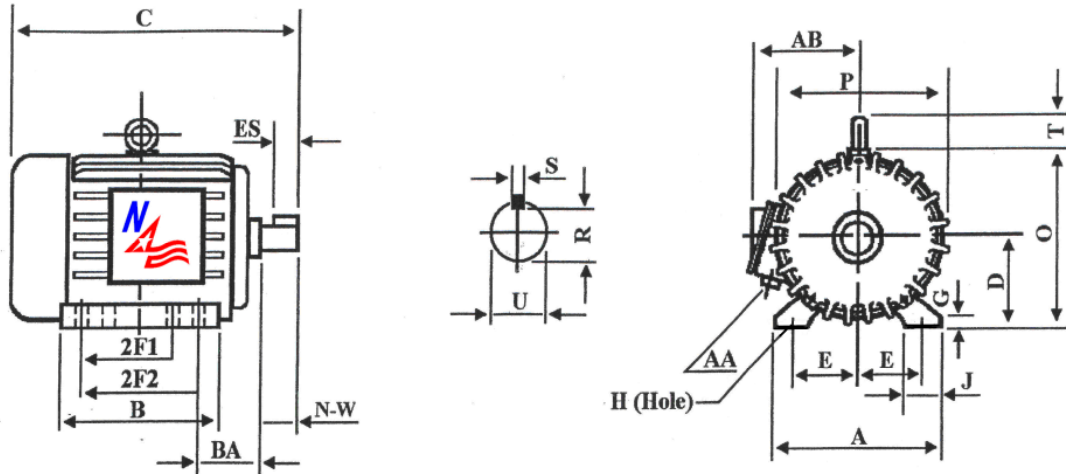


## PE404T-60-6C

### PREMIUM CRUSHER DESIGN MOTOR

Inverter Rated (10:1 Variable Torque; 5:1 Constant Torque)



#### DIMENSIONS – INCHES

A	B	C	D	E	2F1	2F2	G	H	J	O
19.3	16.4	36.7	10.0	8.0	12.25	NA	1.2	.81	3.15	19.8
P	R	S	T	U	ES	AA	AB	BA	N-W	Mount
19.1	2.45	.75	3.0	2.875	5.65	3.0	15.6	6.62	7.25	F1

#### PERFORMANCE DATA

Three Phase – TEFC – AC Motor – 60Hz - 208-230/460V – NEMA Design C - Max. Ambient: 40° C

HP	Speed	Frame	NEMA Code	Efficiency (%)			Power Factor (%)			Torque (ft-lb)		
				100%	75%	50%	100%	75%	50%	FLT	BDT%	LRT%
60	1180	405T	G	93.6	93.7	93.4	90.0	88.0	82.0	266	230	210
Amps ( 460V)		DE Bearing	ODE Bearing	Insulation Class	Enclosure Type	Service Factor	Weight (lbs)					
FLA	LRA											
68.0	435	6315	6314	F	TEFC	1.15	880					



North American Electric, Inc. 350 Vaiden Drive, Hernando, MS 38632

Toll Free: 1-800-884-0405 Phone: 662-429-8049 Fax: 662-429-8546

[www.naemotors.com](http://www.naemotors.com)