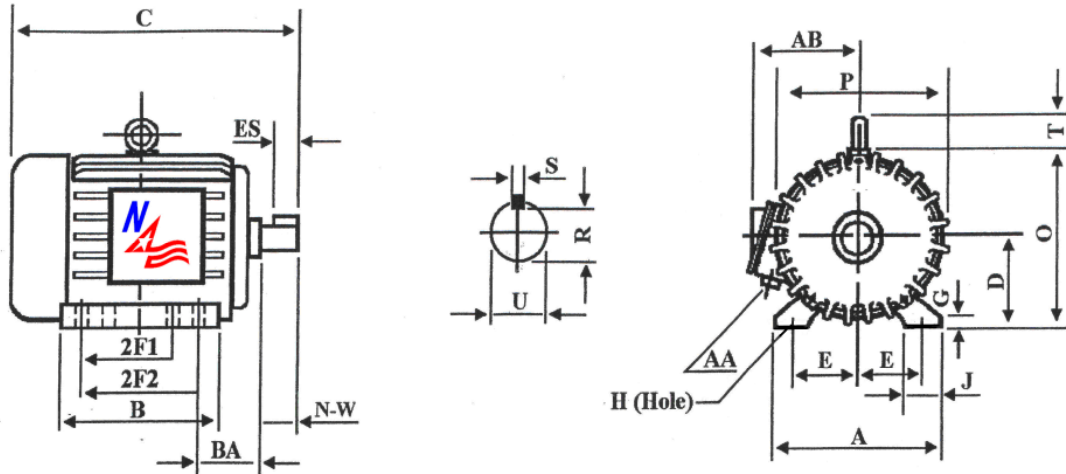


PE449T-300-4C

PREMIUM CRUSHER DESIGN MOTOR

Inverter Rated (10:1 Variable Torque; 5:1 Constant Torque)



DIMENSIONS – INCHES

A	B	C	D	E	2F1	2F2	G	H	J	O
21.7	26.4	52.0	11.0	9.0	25	NA	1.3	.81	3.15	22.1
P	R	S	T	U	ES	AA	AB	BA	N-W	Mount
21.6	2.88	.875	3.0	3.375	6.91	3.0	16.6	7.5	8.5	F1

PERFORMANCE DATA

Three Phase – TEFC – AC Motor – 60Hz - 460V – NEMA Design C - Max. Ambient: 40° C

HP	Speed	Frame	NEMA Code	Efficiency (%)			Power Factor (%)			Torque (ft-lb)		
				100%	75%	50%	100%	75%	50%	FLT	BDT%	LRT%
300	1780	449T	G	95.4	94.9	94.5	91.0	93.0	90.5	885	240	215
Amps (460V)		DE Bearing	ODE Bearing	Insulation Class	Enclosure Type	Service Factor	Weight (lbs)					
FLA	LRA											
330	2367	NU319	6318	F	TEFC	1.15	2112					



North American Electric, Inc. 350 Vaiden Drive, Hernando, MS 38632

Toll Free: 1-800-884-0405 Phone: 662-429-8049 Fax: 662-429-8546

www.naemotors.com