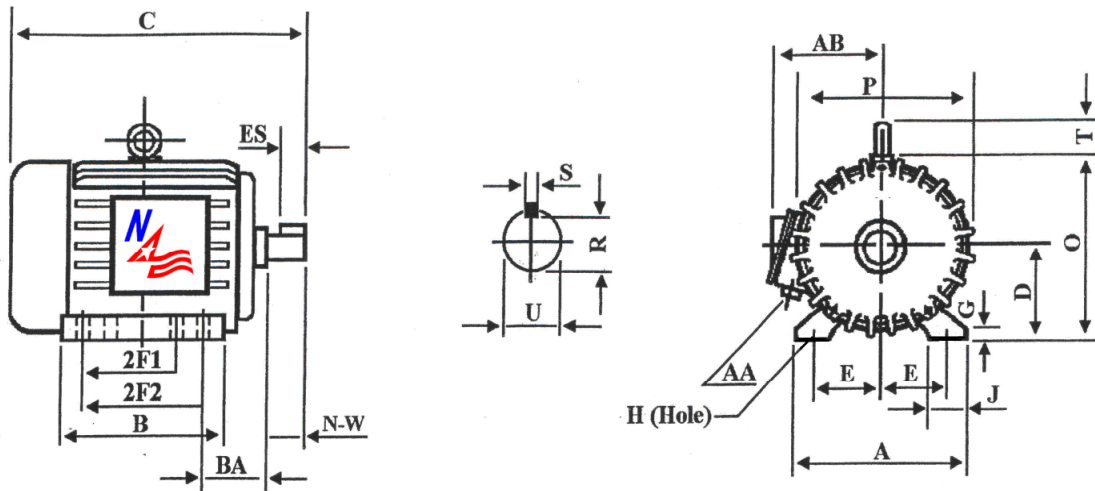


NA145T-1-6C

Special Purpose Crusher Duty Motor

Energy Efficient – Three Phase – TEFC - AC Motor - Inverter Rated (10:1 VT; 5:1 CT)



DIMENSIONS – INCHES

A	B	C	D	E	2F1	2F2	G	H	J	O
7.0	6.2	13.6	3.5	2.75	4.0	5.0	.50	.34	1.45	7.1
P	R	S	T	U	ES	AA	AB	BA	N-W	Mount
6.95	.771	1.88	NA	.875	1.41	.75	6.1	2.25	2.25	F1

PERFORMANCE DATA

Three Phase – 60Hz - 208-230/460V – NEMA Design C - Max. Ambient: 40° C

HP	Speed	Frame	NEMA Code	Efficiency (%)			Power Factor (%)			Torque (ft-lb)		
				100%	75%	50%	100%	75%	50%	FLT	BDT%	LRT%
1	1140	145T	M	77.0	76.0	74.5	68.0	59.0	46.5	4.6	320	280
Amps (460V)		DE Bearing	ODE Bearing	Insulation Class	Enclosure Type	Service Factor	Weight (lbs)					
FLA	LRA											
1.8	15.0	6205ZZ	6205ZZ	F	TEFC	1.15	45					



North American Electric, Inc. 350 Vaiden Drive, Hernando, MS 38632

Toll Free: 1-800-884-0405 Phone: 662-429-8049 Fax: 662-429-8546

www.naemotors.com