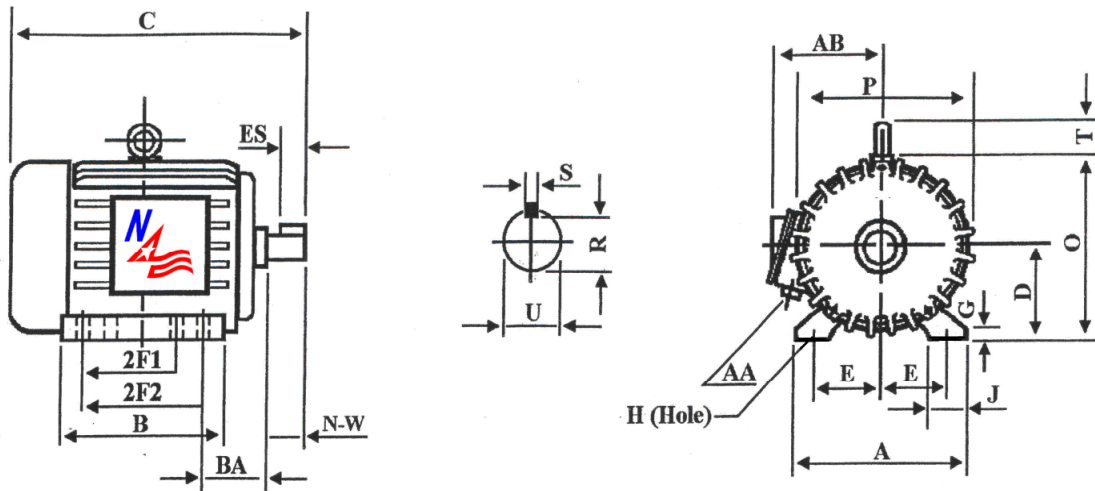


NA145T-2-4C

Special Purpose Crusher Duty Motor

Energy Efficient – Three Phase – TEFC - AC Motor - Inverter Rated (10:1 VT; 5:1 CT)



DIMENSIONS – INCHES

A	B	C	D	E	2F1	2F2	G	H	J	O
7.0	6.2	13.6	3.5	2.75	4.0	5.0	.50	.34	1.45	7.1
P	R	S	T	U	ES	AA	AB	BA	N-W	Mount
6.95	.771	.188	NA	.875	1.41	.75	6.1	2.25	2.25	F1

PERFORMANCE DATA

Three Phase – 60Hz - 208-230/460V – NEMA Design C - Max. Ambient: 40° C

HP	Speed	Frame	NEMA Code	Efficiency (%)			Power Factor (%)			Torque (ft-lb)		
				100%	75%	50%	100%	75%	50%	FLT	BDT%	LRT%
2	1750	145T	L	81.5	81.7	81.3	79.0	75.4	62.5	6.0	300	300
Amps (460V)		DE Bearing	ODE Bearing	Insulation Class	Enclosure Type	Service Factor	Weight (lbs)					
FLA	LRA											
2.8	25.0	6205ZZ	6205ZZ	F	TEFC	1.15	51					



North American Electric, Inc. 350 Vaiden Drive, Hernando, MS 38632

Toll Free: 1-800-884-0405 Phone: 662-429-8049 Fax: 662-429-8546

www.naemotors.com