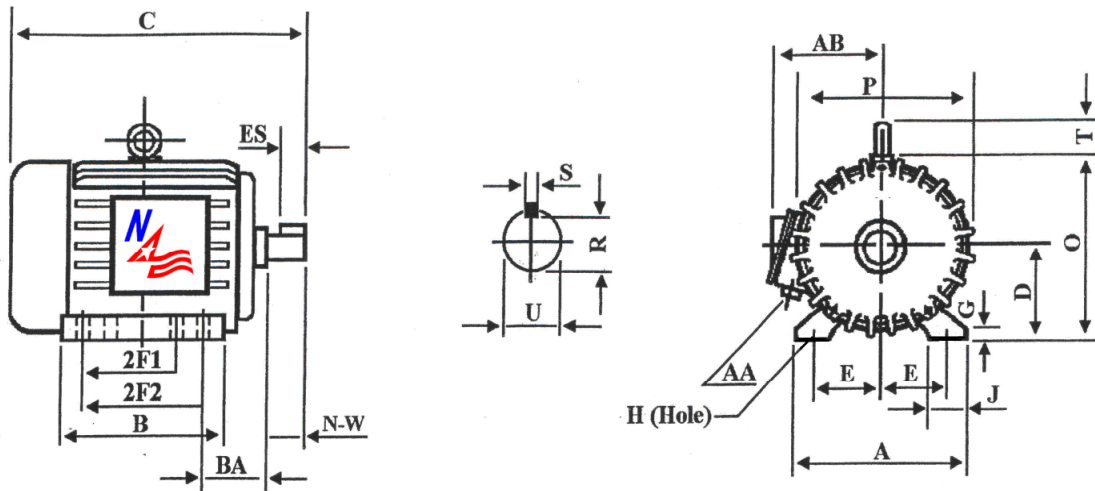


NA182T-3-4C

Special Purpose Crusher Duty Motor

Energy Efficient – Three Phase – TEFC - AC Motor - Inverter Rated (10:1 VT; 5:1 CT)



DIMENSIONS – INCHES

A	B	C	D	E	2F1	2F2	G	H	J	O
9.5	6.3	15.1	4.5	3.75	4.5	NA	0.7	.41	2.04	9.1
P	R	S	T	U	ES	AA	AB	BA	N-W	Mount
8.70	.986	.25	1.6	1.125	1.78	.75	7.5	2.75	2.75	F1

PERFORMANCE DATA

Three Phase – 60Hz - 208-230/460V – NEMA Design C - Max. Ambient: 40° C

HP	Speed	Frame	NEMA Code	Efficiency (%)			Power Factor (%)			Torque (ft-lb)		
				100%	75%	50%	100%	75%	50%	FLT	BDT%	LRT%
3	1745	182T	K	85.5	85.3	84.1	76.0	70.0	58.0	9.0	300	270
Amps (460V)		DE Bearing	ODE Bearing	Insulation Class	Enclosure Type	Service Factor	Weight (lbs)					
FLA	LRA											
4.4	32.0	6306ZZ	6306ZZ	F	TEFC	1.15	78					



North American Electric, Inc. 350 Vaiden Drive, Hernando, MS 38632

Toll Free: 1-800-884-0405 Phone: 662-429-8049 Fax: 662-429-8546

www.naemotors.com