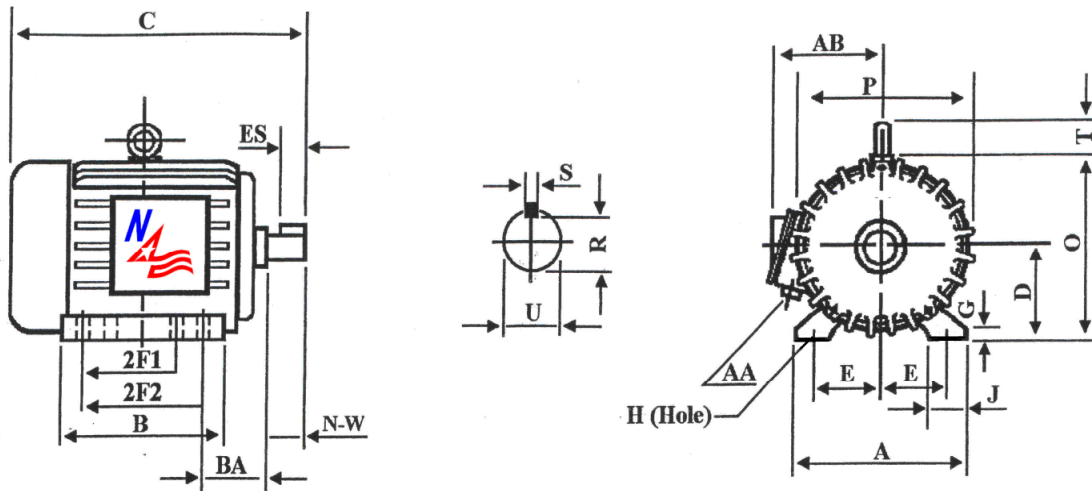


NA286T-30-4C

Special Purpose Crusher Duty Motor

Energy Efficient – Three Phase – TEFC - AC Motor - Inverter Rated (10:1 VT; 5:1 CT)



DIMENSIONS – INCHES

A	B	C	D	E	2F1	2F2	G	H	J	O
14.0	13.2	28.1	7.0	5.5	9.5	11.0	.80	.53	2.76	14.5
P	R	S	T	U	ES	AA	AB	BA	N-W	Mount
14.0	1.591	.50	2.2	1.875	3.28	1.5	11.3	4.75	4.62	F1

PERFORMANCE DATA

Three Phase – 60Hz - 208-230/460V – NEMA Design C - Max. Ambient: 40° C

HP	Speed	Frame	NEMA Code	Efficiency (%)			Power Factor (%)			Torque (ft-lb)		
				100%	75%	50%	100%	75%	50%	FLT	BDT%	LRT%
30	1760	286T	G	91.0	91.1	90.5	88.0	85.0	77.0	89.6	290	210
Amps (460V)		DE Bearing	ODE Bearing	Insulation Class	Enclosure Type	Service Factor	Weight (lbs)					
FLA	LRA											
35.3	217.0	6311	6311	F	TEFC	1.15	365					



North American Electric, Inc. 350 Vaiden Drive, Hernando, MS 38632

Toll Free: 1-800-884-0405 Phone: 662-429-8049 Fax: 662-429-8546

www.naemotors.com