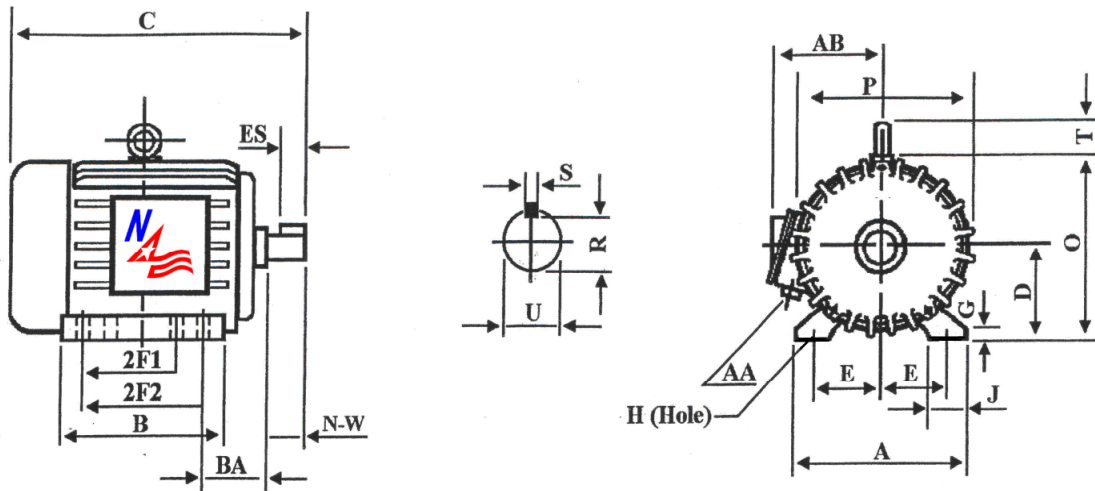


NA405T-100-4C

Special Purpose Crusher Duty Motor

Energy Efficient – Three Phase – TEFC - AC Motor - Inverter Rated (10:1 VT; 5:1 CT)



DIMENSIONS – INCHES

A	B	C	D	E	2F1	2F2	G	H	J	O
19.3	17.9	38.2	10.0	8.0	12.25	13.75	1.2	.81	3.15	19.8
P	R	S	T	U	ES	AA	AB	BA	N-W	Mount
19.1	2.45	.75	3.0	2.875	5.65	3.0	15.6	6.62	7.25	F1

PERFORMANCE DATA

Three Phase – 60Hz - 208-230/460V – NEMA Design C - Max. Ambient: 40° C

HP	Speed	Frame	NEMA Code	Efficiency (%)			Power Factor (%)			Torque (ft-lb)		
				100%	75%	50%	100%	75%	50%	FLT	BDT%	LRT%
100	1780	405T	G	93.6	93.3	93.0	90.0	88.1	82.6	295	240	200
Amps (460V)		DE Bearing	ODE Bearing	Insulation Class	Enclosure Type	Service Factor	Weight (lbs)					
FLA	LRA											
113.5	725	6315	6314	F	TEFC	1.15	1000					



North American Electric, Inc. 350 Vaiden Drive, Hernando, MS 38632

Toll Free: 1-800-884-0405 Phone: 662-429-8049 Fax: 662-429-8546

www.naemotors.com