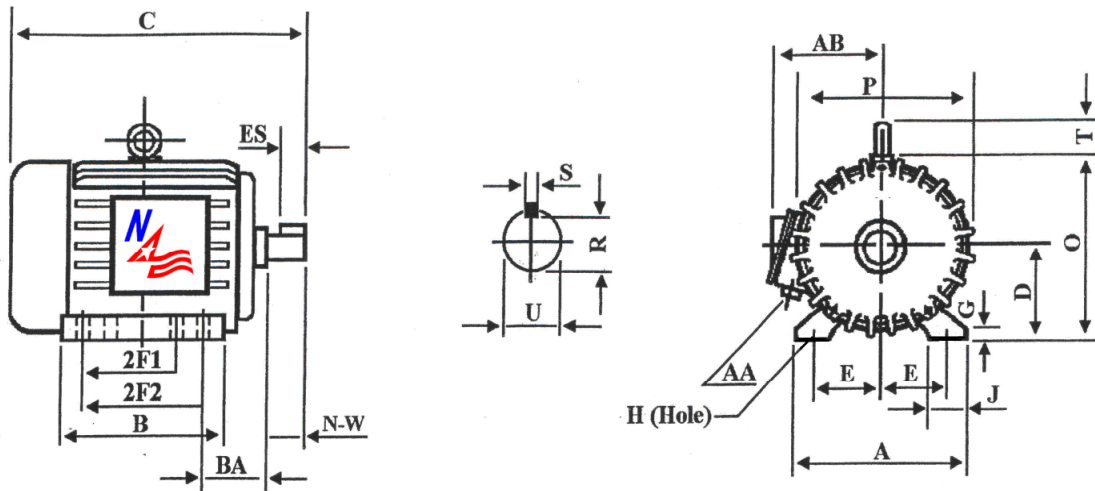


NA449T-200-6C

Special Purpose Crusher Duty Motor

Energy Efficient – Three Phase – TEFC - AC Motor - Inverter Rated (10:1 VT; 5:1 CT)



DIMENSIONS – INCHES

A	B	C	D	E	2F1	2F2	G	H	J	O
21.7	31.4	52.8	11.0	9.0	20.0	25.0	1.3	.81	3.15	22.1
P	R	S	T	U	ES	AA	AB	BA	N-W	Mount
21.6	2.88	.875	3.0	3.375	6.91	3.0	16.6	7.5	8.5	F1

PERFORMANCE DATA

Three Phase – 60Hz -460V – NEMA Design C - Max. Ambient: 40° C

HP	Speed	Frame	NEMA Code	Efficiency (%)			Power Factor (%)			Torque (ft-lb)		
				100%	75%	50%	100%	75%	50%	FLT	BDT%	LRT%
200	1180	449T	G	94.1	94.0	93.7	90.0	87.0	80.5	890	245	200
Amps (460V)		DE Bearing	ODE Bearing	Insulation Class	Enclosure Type	Service Factor	Weight (lbs)					
FLA	LRA											
222	1450	NU6319	6318	F	TEFC	1.15	2024					



North American Electric, Inc. 350 Vaiden Drive, Hernando, MS 38632

Toll Free: 1-800-884-0405 Phone: 662-429-8049 Fax: 662-429-8546

www.naemotors.com