



*Motors Made Easy*

# Motors Catalog

General Purpose Motors • Special Purpose Motors • Shaft Mount Gear Reducers • Accessories





North American Electric was established in 1993 where we began sourcing and supplying high quality, high performance electric motors and gearing from around the world and distributing them on a national and international level.

NAE offers a wide range of motors that are designed and manufactured with precision and quality to meet all the agency approvals, standards and requirements to ensure you get the best motor available in the market.

Our sales and customer service staff are here to help you find the motor that is right for your application needs and we offer 24 hour shipping on all in-stock motors.

## *Motors Made Easy!*

- Excellent Sales and Customer Service
- Wide Selection of Motors
- In-Stock inventory
- Fast Delivery
- Custom Modifications
- Technical Support
- Warranty and Repair



## GENERAL PURPOSE MOTORS



### SINGLE PHASE, 56C FRAME, TEFC

- 1/3 HP—2 HP; 2 or 4-Pole**
- High Starting Torques
  - Capacitor Start / Capacitor Run Design
  - Rolled Steel Construction
  - Removable Feet



### THREE-PHASE, 56C FRAME, TEFC

- 1/3 HP—3 HP; 2 or 4-Pole**
- High Starting Torque
  - Rolled Steel Construction
  - Removable Feet



### THREE-PHASE, TEFC

- 1 HP—10 HP; 2 or 4-Pole**
- High Starting Torque
  - Rolled Steel Construction



### SINGLE PHASE, FARM DUTY, TEFC

- 1/3 HP—10 HP; 2 or 4-Pole (2 pole in 5 HP Only)**
- High Starting Torques
  - Manual Overload Protection (1/3 HP—5 HP)
  - Capacitor Start / Capacitor Run Design
  - Rolled Steel Construction



### SINGLE PHASE, COMPRESSOR DUTY, OPEN DRIP PROOF

- 3 HP—5 HP; 2 or 4-Pole**
- High Starting Torque
  - Capacitor Start / Capacitor Run Design
  - Rolled Steel Construction



### THREE-PHASE, OPEN DRIP PROOF

- 1 HP—20 HP; 2 or 4-Pole**
- High Starting Torque
  - Rolled Steel Construction



### ALUMINUM FRAME INVERTER DUTY MOTORS

- 1 HP—10 HP; 2 or 4-Pole**
- Totally Enclosed Fan Cooled
  - Inverter Duty (20:1 VT; 10:1 CT)



### GENERAL PURPOSE INVERTER DUTY MOTORS

- 1 HP—300 HP; 2, 4, 6 or 8-Pole**
- NEMA Design B
  - Totally Enclosed Fan Cooled or ODP
  - Inverter Duty (20:1 VT; 10:1 CT)



### ROUND BODY MOTORS

- 1 HP—30 HP; 4-Pole; 1800 RPM**
- C-Flange without Feet
  - Totally Enclosed Fan Cooled
  - Inverter Duty (20:1 VT; 10:1 CT)



### CRUSHER DUTY MOTORS

- 1 HP—600 HP; 4, 6 or 8-Pole**
- NEMA Design C
  - Totally Enclosed Fan Cooled
  - Inverter Duty (20:1 VT; 10:1 CT) (143T - 505UZ)
  - Inverter Rated (10:1 VT; 5:1 CT) (586/7UZ)

## SPECIAL PURPOSE MOTORS



### WASHDOWN DUTY MOTORS STAINLESS STEEL, TEFC & TENV

- 1/3 HP—20 HP; 2, 4 or 6-Pole**
- C-Flange w/ Feet or Round Body
  - Inverter Duty (20:1 VT; 10:1 CT)



### CLOSE COUPLED PUMP MOTORS

- 1 HP—75 HP; 2 or 4-Pole**
- Totally Enclosed Fan Cooled
  - Inverter Duty (20:1 VT; 10:1 CT)



### EXPLOSION PROOF MOTORS

- 1—250 HP; 2, 4 or 6-Pole**
- All Motors Meet or Exceed
  - UL 674 Specification As Required By OSHA For Installation and Use In Hazardous Locations
  - Totally Enclosed Explosion Proof (TEXP)
  - Inverter Rated (10:1 VT; 5:1 CT)



### OIL WELL PUMP MOTORS, TEFC

- 2 HP—150 HP; 6 or 8-Pole**
- NEMA Design D; High Slip (5%—8% Slip)
  - Special Purpose Oil Well Pump Motors
  - Inverter Duty (20:1 VT; 10:1 CT)



### OIL WELL PUMP MOTORS, ODP

- 7.5 HP—100 HP; 6-Pole**
- NEMA Design D; High Slip (5%—8% Slip)
  - Special Purpose Oil Well Pump Motors
  - Inverter Duty (20:1 VT; 10:1 CT)



### ROTARY PHASE CONVERTER MOTOR

- 3 HP—60 HP; 4-Pole**
- For Use with Rotary Phase Converters
  - To Run Three Phase Equipment From Single Phase Power
  - Totally Enclosed Fan Cooled



### VERTICAL HOLLOW SHAFT PUMP MOTORS

- 10 HP—250 HP; 4-Pole**
- Extra High Thrust available
  - V1 Series - Inverter Rated (10:1 VT)
  - V2 Series - Inverter Duty (20:1 VT) w/ insulated bearing mounts from 40HP - 250HP

## MOTOR ACCESSORIES



### NAE OFFERS A WIDE RANGE OF MOTOR ACCESSORIES

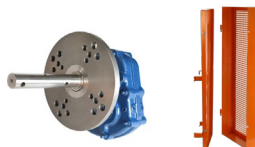
- Motor Slide Bases
- Flange Kits
- Conversion Kits
- Vertical Hollow Shaft Replacement Parts:
  - Ratchet Assembly
  - Alternative Bases
  - Top Cover
- Lubriport Sight Glass
- Motor Couplings

## SHAFT MOUNT GEAR REDUCER & ACCESSORIES



### SHAFT MOUNT GEAR REDUCER

- 2 to 10 Box size in-stock**
- Gear Ratio: 15:1 or 25:1
  - "Drop-In" for Dodge® TXT Style



### NAE OFFERS A WIDE RANGE OF SMR ACCESSORIES

- Bushing Kit
- Backstops
- Motor Mounts
- Torque Arms
- Belt Guard
- Screw Conveyor
- Drive Shafts
- Repair Kits



## MOTOR CONTROLS



**SAFETY SWITCHES – HEAVY DUTY**  
30 AMP – 1200 AMP  
480 VAC / 600 VAC  
- 3-Pole / 3-Wire / Non-Fused or Fused  
- NEMA 3R Enclosure



**ACROSS THE LINE STARTERS**  
NEMA 1 – NEMA 5  
- NEMA Rated Contactor  
- Circuit Breaker or Fused w/  
Flanged Disconnect



**PART WIND STARTERS**  
10 HP – 200 HP  
- IEC Rated Contactors  
- Circuit Breaker or Fused  
- NEMA 3R Enclosure



**SOFT STARTERS - ECONOMY**  
3RW40 Series  
General Purpose, Irrigation or  
Washdown Applications  
15 HP – 75 HP  
- Siemens 3RW40 Series Chassis  
- Normal Duty or Heavy Duty  
- Circuit Breaker  
- NEMA 3R, 4/12 or 4X Enclosure



**SOFT STARTERS -  
ECONOMY & STANDARD**  
3RW50 Series  
General Purpose or  
Washdown Applications  
30 HP – 400 HP  
- Siemens 3RW50 Series Chassis  
- Normal Duty or Heavy Duty  
- Circuit Breaker  
- NEMA 3R, 4/12 or 4X Enclosure



**SOFT STARTERS -  
ECONOMY & STANDARD**  
3RW52 Series  
General Purpose or  
Washdown Applications  
3 HP – 400 HP  
- Siemens 3RW52 Series Chassis  
- Normal Duty or Heavy Duty  
- Circuit Breaker  
- NEMA 3R, 4/12 or 4X Enclosure



**SOFT STARTERS -  
ECONOMY & STANDARD**  
3RW55 Series  
General Purpose or  
Washdown Applications  
3 HP – 1000 HP  
- Siemens 3RW55 Series Chassis  
- Normal Duty or Heavy Duty  
- Circuit Breaker  
- NEMA 3R, 4/12 or 4X Enclosure



**SOFT STARTERS -  
CRUSHER/ULTRA**  
20 HP – 800 HP  
- SAF MS6 Series Devices  
- Ultra Heavy Duty (500% FLA for  
30 Seconds)  
- Integral bypass with Full  
Start-Rated Contactor  
- Circuit Breaker  
- NEMA 3R or 4/12 Enclosure



**VFD-ECONOMY**  
1 HP – 800 HP Variable Torque  
½ HP – 600 HP Constant Torque  
- Siemens G120 or G120X Drive  
- Circuit Breaker or Fused  
- NEMA 3R, 4, 4X or 12 Enclosure



**VFD-STANDARD**  
1 HP – 800 HP Variable Torque  
½ HP – 600 HP Constant Torque  
- Siemens G120 or G120X Series Drive  
- Circuit Breaker or Fused  
- NEMA 3R, 4, 4X or 12 Enclosure



**VFD-WASHDOWN/STAINLESS**  
1 HP – 200 HP Variable Torque  
½ HP – 150 HP Constant Torque  
- Siemens G120 or G120X  
Series Drive  
- Circuit Breaker or Fused  
- NEMA 4X Enclosure



**CHASSIS  
EXCHANGE  
PROGRAM**  
**VFD-IRRIGATION**  
1 HP – 800 HP  
- Siemens G120X Series Drive  
- 24/7 Programmable &  
0-10 Backspin Timer  
- Variable Torque  
- Circuit Breaker or Fused  
- NEMA 3R Enclosure



**CHASSIS  
EXCHANGE  
PROGRAM**  
**VFD-SUBMERSIBLE**  
½ HP – 200 HP  
- Siemens G120X Series Drive  
- 24/7 Programmable &  
0-10 Backspin Timer  
- Variable Torque  
- Circuit Breaker or Fused  
- NEMA 3R Enclosure



**CHASSIS  
EXCHANGE  
PROGRAM**  
**VFD-POSITIVE DISPLACEMENT  
PUMP**  
3 HP – 600 HP  
- Circuit Breaker  
- NEMA 3R Enclosure



**VFD-BEAM PUMP**  
1 HP – 200 HP  
- Siemens G120X Series Drive  
- ReGen Avoidance  
- Constant Torque  
- Circuit Breaker  
- NEMA 3R Enclosure

## CUSTOM PANELS

### Motor Controls Panel Customization Made Easy



NAE Motor Controls offers customers the ability to custom configure and order their control panel to meet their specific needs and have it shipped quickly. All NAE packaged panels are backed by our 2 year warranty and eligible for up to 6 years of protection with the "NO Hassle" Chassis Exchange program.



Visit our website at [www.naemotors.com](http://www.naemotors.com) to learn more about our "No Hassle" Chassis Exchange program.

**General Purpose**

---

Rolled Steel - Single Phase, 56C/CH Frame, TEFC .....	6
Rolled Steel - 3-Phase, 56C/CH Frame, TEFC .....	7
Rolled Steel - 3-Phase, T Frame, TEFC.....	8
Rolled Steel - Single Phase, Farm Duty, TEFC.....	9
Aluminum - T Frame, TEFC .....	10
Heavy Duty Cast Iron - T Frame, TEFC .....	11
Heavy Duty Cast Iron - TC Frame, C-Flange w/Feet, TEFC .....	16
Heavy Duty Cast Iron - TC Frame, C-Flange/Round Body, TEFC .....	19
Heavy Duty Cast Iron - T Frame, ODP.....	20

**Special Purpose**

---

Compressor Duty, Rolled Steel - Single Phase, ODP .....	22
Crusher Duty / Design C - T & UZ Frame, TEFC .....	23
Crusher Duty / Design C - TC Frame, C-Flange w/Feet, TEFC .....	26
Washdown Duty / Stainless Steel - C-Flange w/Feet, TEFC .....	28
Washdown Duty / Stainless Steel - C-Flange/Round Body, TEFC.....	30
Washdown Duty / Stainless Steel - C-Flange w/Feet, Encapsulated, TEFC.....	32
Washdown Duty / Stainless Steel - C-Flange/Round Body, Encapsulated, TEFC.....	34
Washdown Duty / Stainless Steel - C-Flange w/feet, Non-Encapsulated, TENV.....	36
Washdown Duty / Stainless Steel - C-Flange w/feet, Non-Encapsulated, TEFC .....	36
Washdown Duty / Stainless Steel - C-Flange w/feet, Non-Encapsulated, TENV .....	36
Washdown Duty / Stainless Steel - C-Flange/Round Body, Non-Encapsulated, TENV .....	37
Close Coupled - JM Frame, TEFC .....	39
Close Coupled - JP Frame, TEFC.....	41
Explosion Proof - T Frame, TEXP .....	43
Explosion Proof - TC Frame, C-Flange w/Feet, TEXP .....	45
Oil Well Pump / Design D - T Frame, TEFC.....	47
Oil Well Pump / Design D - T Frame, ODP .....	49
Vertical Hollow Shaft - Inverter Rated, V1 Series.....	50
Vertical Hollow Shaft - Inverter Duty, V2 Series .....	52
Rotary Phase Converter Motor.....	54

**Accessories**

---

Shaft Mount Gear Reducers (SMRs) .....	55
SMR Accessories .....	56
VHS Accessories.....	61
Motor Slide Base .....	62
C & D Flange / Severe Duty Conversion Kits.....	64

**Appendix**

---

Performance Data .....	67
Motor Dimensions .....	97
SMR Dimensions.....	138
SMR Class Charts.....	140
SMR Oil Level .....	143
Hazardous Location Definitions.....	144
Warranty .....	145
Index.....	146

*NAE reserves the right to change our product's prices and content at any time without further notice.*



**Phases and HP:** Single Phase, .33–2 HP  
**Enclosure:** Totally enclosed fan cooled (TEFC)  
**Frame:** 56C/CH



GENERAL PURPOSE MOTORS

SPECIAL PURPOSE MOTORS

ACCESSORIES

APPENDIX

# General Purpose

## C-Flange w/Feet

### Rolled Steel

UP TO  
**2 HP IN STOCK!**



## Standard Features/Specifications

### Performance and convenience

- Service factor: 1.15 @ 60 Hz
- NEMA Design L Performance/ High starting torque
- Removable feet; 56CH frames: Dual-drilled feet for 56C and 143/ 5T mounting flexibility
- Capacitor start/ capacitor run design

### Reliability

- Sealed bearings
- 2-year warranty

### Protection

- Class F insulation system; Class B rise at full load; Class H vacuum pressure impregnation (VPI) resin for all windings
- Corrosion-resistant epoxy paint, stainless steel nameplate and zinc plated hardware and aluminum endbells
- IP55 protection
- Condensation drain with plugs

### Ratings

- 40° C ambient continuous duty

### Applications

- Pumps
- Fans
- Blowers
- Compressors
- Conveyors
- Farm equipment
- Other industrial and commercial machinery
- Damp, dusty or dirty environments

HP	RPM	Volts	Frame	Flange	Full Load % Efficiency	Full Load Amps	"C" Dim (in.)	Weight (lbs.)	Notes *	Model Number	Mult. Symbol	List Price
0.33	3600	115/208-230	56C	56C1	60.7	3.83/2.12-1.92	10.7	20	--	F56C1/3S2C	M1	\$197.64
	1800	115/208-230	56C	56C1	65.0	3.92/2.17-1.96	10.7	22	--	F56C1/3S4C	M1	\$220.08
0.5	3600	115/208-230	56C	56C1	70.8	5.03/2.78-2.52	10.7	24	--	F56C1/2S2C	M1	\$216.81
	1800	115/208-230	56C	56C1	71.1	5.7/3.15-2.85	10.7	28	--	F56C1/2S4C	M1	\$236.62
0.75	3600	115/208-230	56C	56C1	75.1	6.82/3.77-3.41	10.7	26	--	F56C3/4S2C	M1	\$240.45
	1800	115/208-230	56C	56C1	74.6	7.33/4.05-3.66	11.5	33	--	F56C3/4S4C	M1	\$280.17
1	3600	115/208-230	56C	56C1	76.1	8.61/4.76-4.31	11.5	30	--	F56C1S2C	M1	\$263.03
	1800	115/208-230	56C	56C1	77.6	9.09/5.02-4.54	11.5	36	--	F56C1S4C	M1	\$307.72
1.5	3600	115/208-230	56C	56C1	81.3	12.47/6.89-6.23	11.5	36	--	F56C1.5S2C	M1	\$295.22
	1800	115/208-230	56CH	56C1	81.7	12.41/6.86-6.2	12.5	44	1	F56CH1.5S4C	M1	\$357.99
2	3600	115/208-230	56CH	56C1	82.3	15.92/8.8-7.96	12.5	43	1	F56CH2S2C	M1	\$334.30
	1800	115/208-230	56CH	56C1	83.6	16.17/8.94-8.08	13.7	52	1	F56CH2S4C	M1	\$396.43

Performance Data on p. 67  
 Dimensions on p. 97  
 Warranty on p. 145



**Phases and HP:** 3-Phase, .33-3 HP  
**Enclosure:** Totally enclosed fan cooled (TEFC)  
**Frame:** 56C/CH

**Inverter rated:** (10:1 VT; 5:1 CT)



# General Purpose

## C-Flange w/Feet

### Rolled Steel

UP TO  
**3 HP IN STOCK!**



## Standard Features/Specifications

### Performance and convenience

- Service factor: 1.15 @ 60 Hz
- NEMA Design B Performance/ High starting torque
- Removable feet; 56CH frames: Feet are dual-drilled for 56C and 143/ 5T mounting flexibility

### Reliability

- Sealed bearings
- 3-year warranty (extended warranty available)

### Protection

- Class F insulation system; Class B rise at full load; Class H vacuum pressure impregnation (VPI) resin for all windings
- Corrosion-resistant epoxy paint, stainless steel nameplate and zinc plated hardware and aluminum endbells
- IP55 protection
- Condensation drain with plugs

### Ratings

- NEMA MG-1, Part 31, Table 12-12
- 40° C ambient continuous duty

### Applications

- Pumps
- Fans
- Blowers
- Compressors
- Conveyors
- Material handling equipment
- Other industrial and commercial machinery
- Damp, dusty or dirty environments
- Suitable for use with variable frequency drives

HP	RPM	Volts	Frame	Flange	Full Load % Efficiency	Full Load Amps	"C" Dim (in.)	Weight (lbs.)	Notes *	Model Number	Mult. Symbol	List Price
0.33	3600	208-230/460	56C	--	67.6	1.28-1.32/0.66	10.7	18	3	F56C1/3M2A	M1	\$212.83
		575	56C	--	62.8	0.57	10.7	17	2,3	F56C1/3M2A-575V	M1	\$212.83
	1800	208-230/460	56C	--	66.1	1.52-1.61/0.8	10.7	23	3	F56C1/3M4A	M1	\$219.44
		575	56C	--	69.2	0.58	10.7	17	2,3	F56C1/3M4A-575V	M1	\$219.44
0.5	3600	208-230/460	56C	--	71.6	1.74-1.68/0.84	10.7	19	3	F56C1/2M2A	M1	\$224.46
		575	56C	--	69.3	0.67	10.7	18	2,3	F56C1/2M2A-575V	M1	\$224.46
	1800	208-230/460	56C	--	74.1	1.9-1.96/0.98	10.7	24	3	F56C1/2M4A	M1	\$212.00
		575	56C	--	77.1	0.7	10.7	22	2,3	F56C1/2M4A-575V	M1	\$212.00
0.75	3600	208-230/460	56C	--	80.3	2.24-2/1	10.7	26	3	F56C3/4M2A	M1	\$245.84
		575	56C	--	76.2	0.87	10.7	20	2,3	F56C3/4M2A-575V	M1	\$245.84
	1800	208-230/460	56C	--	80.7	2.43-2.34/1.17	10.7	25	3	F56C3/4M4A	M1	\$248.02
		575	56C	--	80.5	0.91	10.7	23	2,3	F56C3/4M4A-575V	M1	\$248.02
1	3600	208-230/460	56C	--	77.0	2.9-2.7/1.35	10.7	35	4	PR56C1M2A	M1	\$330.00
		575	56C	--	78.1	1.1	10.7	24	2,4	PR56C1M2A-575V	M1	\$330.00
	1800	208-230/460	56C	--	85.5	3.3-3/1.5	10.7	31	4	PR56C1M4A	M1	\$362.68
		575	56C	--	85.5	1.2	10.7	33	2,4	PR56C1M4A-575V	M1	\$362.68
1.5	3600	208-230/460	56C	--	84.0	4.2-3.8/1.9	10.7	40	4	PR56C1.5M2A	M1	\$381.94
		575	56C	--	84.4	1.6	10.7	27	2,4	PR56C1.5M2A-575V	M1	\$381.94
	1800	208-230/460	56C	--	86.5	4.8-4.4/2.2	10.7	35	4	PR56C1.5M4A	M1	\$390.00
		575	56C	--	86.5	1.8	12.5	36	2,4	PR56C1.5M4A-575V	M1	\$390.00
2	3600	208-230/460	56C	--	85.5	5.4-5/2.5	10.7	45	4	PR56C2M2A	M1	\$395.00
		575	56C	--	85.5	2.1	12.5	33	2,4	PR56C2M2A-575V	M1	\$395.00
	1800	208-230/460	56CH	--	86.5	5.9-5.7/2.85	10.7	48	1,4	PR56CH2M4A	M1	\$450.00
		575	56CH	--	86.5	2.4	13.7	40	1,2,4	PR56CH2M4A-575V	M1	\$450.00
3	3600	208-230/460	56CH	--	86.5	8.2-7.6/3.8	10.7	54	1,4	PR56CH3M2A	M1	\$550.00
		575	56CH	--	86.5	2.9	13.7	42	1,2,4	PR56CH3M2A-575V	M1	\$550.00

**\* Notes:**

1. 56CH Frames: Feet are dual drilled for 56C and 143/5T mounting flexibility
2. 575V only

3. High efficiency design
4. NEMA premium efficiency design®

Performance Data on p. 67

Dimensions on p. 98

Warranty on p. 145



**Phases and HP:** 3-Phase, 1–10 HP  
**Enclosure:** Totally enclosed fan cooled (TEFC)  
**Frame:** 143T–215T

**Inverter rated:** (10:1 VT; 5:1 CT)



# General Purpose Rolled Steel



## Standard Features/Specifications

### Performance and convenience

- Service factor: 1.15 @ 60 Hz; 1.0 @50 Hz
- NEMA Design B Performance/ High starting torque
- Dual-drilled feet for mounting flexibility
- Lifting provision

### Reliability

- Sealed bearings
- 3-year warranty (extended warranty available)

### Protection

- Class F insulation system; Class B rise at full load; Class H vacuum pressure impregnation (VPI) resin for all windings
- Corrosion-resistant epoxy paint, stainless steel nameplate and zinc plated hardware and aluminum endbells
- IP55 protection
- Condensation drain with plugs

### Ratings

- NEMA MG-1, Part 31, Table 12-12
- 40° C ambient continuous duty

### Applications

- Pumps
- Fans
- Blowers
- Compressors
- Conveyors
- Material handling equipment
- Other industrial and commercial machinery
- Damp, dusty or dirty environments
- Suitable for use with variable frequency drives

### Options

- C-Flange field conversion kits available<sup>5</sup>

HP	RPM	Volts	Frame	Flange	Full Load % Efficiency	Full Load Amps	"C" Dim (in.)	Weight (lbs.)	Notes *	Model Number	Mult. Symbol	List Price
1	1800	208-230/460	143T	RSTE-PR	85.5	3.3-3/1.5	12.69	33	5	PR143T1M4A	M1	\$307.36
	3600	208-230/460	143T	RSTE-PR	84.0	4.3-4/2	12.7	29	5	PR143T1.5M2A	M1	\$323.68
1.5	1800	208-230/460	145T	RSTE-PR	86.5	4.8-4.4/2.2	12.69	38	5	PR145T1.5M4A	M1	\$349.29
	3600	208-230/460	145T	RSTE-PR	85.5	5.4-5/2.5	12.7	32	5	PR145T2M2A	M1	\$350.58
2	1800	208-230/460	145T	RSTE-PR	86.5	6.5-6/3	12.6	41	5	PR145T2M4A	M1	\$402.08
	3600	208-230/460	182T	RSTE	86.5	8.2-7.6/3.8	15.5	76	5	PR182T3M2A	M1	\$477.87
3	1800	208-230/460	182T	RSTE	89.5	8.6-8/4	15.5	83	5	PR182T3M4A	M1	\$519.02
	3600	208-230/460	184T	RSTE	88.5	13-11.8/5.9	15.5	83	5	PR184T5M2A	M1	\$695.19
5	1800	208-230/460	184T	RSTE	89.5	13.5-12.4/6.2	15.5	91	5	PR184T5M4A	M1	\$729.26
	3600	208-230/460	213T	RSTE	89.5	20-18.4/9.2	19	125	5	PR213T7.5M2A	M1	\$1,021.26
7.5	1800	208-230/460	213T	RSTE	91.7	21-19.2/9.6	19	129	5	PR213T7.5M4A	M1	\$1,046.55
	3600	208-230/460	215T	RSTE	90.2	26-24/12	19	130	5	PR215T10M2A	M1	\$1,143.85
10	1800	208-230/460	215T	RSTE	91.7	27.5-25.2/12.6	19	149	5	PR215T10M4A	M1	\$1,194.07

\* Notes:

5. C-Flange Field Conversion Kits (see pg. 63)

Performance Data on p. 68

Dimensions on p. 99

Warranty on p. 145





**Phases and HP:** Single Phase, .33–10 HP  
**Enclosure:** Totally enclosed fan cooled (TEFC)  
**Frame:** 56C–215T

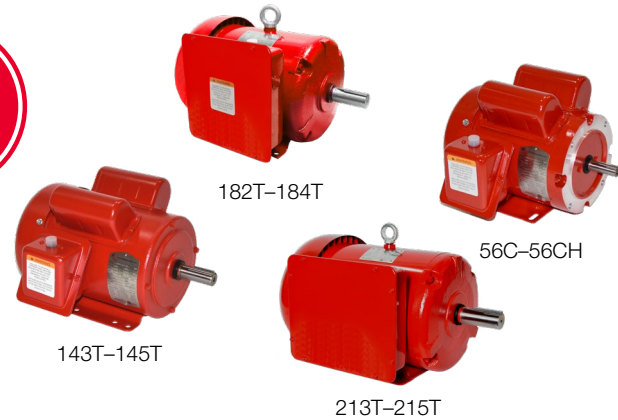


# General Purpose

## Farm Duty

## Rolled Steel

UP TO  
**10 HP IN STOCK!**



## Standard Features/Specifications

### Performance and convenience

- Service factor: 1.15 @ 60 Hz; 1.0 for 10 HP only
- Dual-drilled feet for mounting flexibility
- High starting torque
- Capacitor start/ capacitor run design
- Lifting provision on 182T and above

### Reliability

- Sealed bearings
- 2-year warranty

### Protection

- Class F insulation system; Class B rise at full load; Class H vacuum pressure impregnation (VPI) resin for all windings
- Corrosion-resistant epoxy paint and stainless steel nameplate and zinc plated hardware
- Manual overload protection
- IP55 protection
- Condensation drain with plugs

### Ratings

- 40° C ambient continuous duty

### Applications

- Pumps
- Fans
- Conveyors
- Poultry equipment
- Air compressors
- Other farm duty machinery requiring high starting torque

### Options

- C-Flange field conversion kits available<sup>5</sup>

HP	RPM	Volts	Frame	Flange	Full Load % Efficiency	Full Load Amps	"C" Dim (in.)	Weight (lbs.)	Notes *	Model Number	Mult. Symbol	List Price
0.33	1800	115/208-230	56C	--	65.0	3.92/2.17-1.96	10.7	22	6	F56C1/3S4C-MO	M1	\$240.95
0.5	1800	115/208-230	56C	--	71.1	5.7/3.15-2.85	10.7	28	6	F56C1/2S4C-MO	M1	\$257.59
0.75	1800	115/208-230	56C	--	74.6	7.33/4.05-3.66	11.5	33	6	F56C3/4S4C-MO	M1	\$301.13
1	1800	115/208-230	56C	--	77.6	9.09/5.02-4.54	11.5	36	6	F56C1S4C-MO	M1	\$328.69
		115/208-230	143T	NEFD	74.0	9.2/5-4.7	13.4	41	5	F143T1S4C-MO	M1	\$354.37
1.5	1800	115/208-230	56CH	--	81.7	12.41/6.86-6.2	12.5	44	6	F56CH1.5S4C-MO	M1	\$378.95
		115/208-230	145T	NEFD	77.0	13.3/7.1-6.6	13.4	45	5	F145T1.5S4C-MO	M1	\$408.56
2	1800	115/208-230	56CH	--	83.6	16.17/8.94-8.08	13.7	52	6	F56CH2S4C-MO	M1	\$417.40
		115/208-230	145T	NEFD	82.0	16.5/9-8.3	14.2	50	5	F145T2S4C-MO	M1	\$450.01
3	1800	208-230/460	182T	NEFD	81.5	14.5-12.6/6.4	16.8	92	5	F182T3S4C-MO	M1	\$658.92
5	3600	230/460	184T	NEFD	81.2	20/10	16.8	115	5	F184T5S2C-MO	M1	\$1,012.35
	1800	208-230/460	184T	NEFD	84.7	22.8-20/10	17.9	110	5	F184T5S4C-MO	M1	\$938.99
7.5	1800	208-230/460	213T	NEFD	84.4	34-29.5/15	20.3	140	5,7	F213T7.5S4C	M1	\$1,452.79
10	1800	208-230/460	215T	NEFD	88.7	43-37.8/18.9	20.3	150	5,7	F215T10S4C	M1	\$1,623.78

**\* Notes:**

- 5. C-Flange field conversion kits (see pg. 64)
- 6. Removable feet on 56C/CH motors only

- 7. Does not have manual overload protection

Performance Data on p. 68  
 Dimensions on p. 100  
 Warranty on p. 145



**Phases and HP:** 3-Phase, 1–10 HP  
**Enclosure:** Totally enclosed fan cooled (TEFC)  
**Frame:** 143T–215T

**Inverter duty:** (20:1 VT; 10:1 CT)



GENERAL PURPOSE MOTORS

SPECIAL PURPOSE MOTORS

ACCESSORIES

APPENDIX

# General Purpose Aluminum



## Standard Features/Specifications

### Performance and convenience

- Service factor: 1.15 @ 60 Hz; 1.0 @ 50 Hz; Suitable for 575V @ 1.0
- NEMA Design B Performance/High starting torque
- Dual-drilled feet for mounting flexibility; Removable bases
- F1/F2 Reversible
- Lifting provision

### Reliability

- Sealed bearings
- 3-year warranty (extended warranty available)

### Protection

- Class F insulation system; Class B rise at full load; Class H vacuum pressure impregnation (VPI) resin for all windings
- Heavy duty cast iron housing with corrosion-resistant epoxy paint, stainless steel nameplate and zinc plated hardware
- IP55 protection
- Condensation drain with plugs

### Ratings

- NEMA MG-1, Part 31, Table 12-2
- 3-year warranty (extended warranty available)
- Dual voltage ratings suitable for part wind start on lower voltage
- Windings rated for 2200V peak voltage spikes

### Applications

- Catfish pond aeration
- Pumps
- Fans
- Blowers
- Compressors
- Conveyors
- Material handling equipment
- Other industrial machinery
- Damp, dusty or dirty environments suitable for use with variable frequency drives

### Options

- C-Flange field conversion kits available<sup>5</sup>

HP	RPM	Volts	Frame	Flange	Full Load % Efficiency	Full Load Amps	"C" Dim (in.)	Weight (lbs.)	Notes *	Model Number	Mult. Symbol	List Price
1	1800	208-230/460	143T	APEW	85.5	3.2-3.0/1.5	13.9	35	5	APE143T-1-4	M2	\$318.29
	3600	208-230/460	143T	APEW	84.0	4.4-4.0/2.0	13.9	33	5	APE143T-1.5-2	M2	\$332.83
1.5	1800	208-230/460	145T	APEW	86.5	4.7-4.4/2.2	15.1	39	5	APE145T-1.5-4	M2	\$354.63
	3600	208-230/460	145T	APEW	85.5	5.8-5.3/2.65	15.1	37	5	APE145T-2-2	M2	\$366.82
2	1800	208-230/460	145T	APEW	86.5	6.6-6.2/3.1	15.1	42	5	APE145T-2-4	M2	\$371.58
	3600	208-230/460	182T	APEW	86.5	7.9-7.4/3.7	15.6	65	5	APE182T-3-2	M2	\$503.51
3	1800	208-230/460	182T	APEW	89.5	8.2-7.6/3.8	15.6	68	5	APE182T-3-4	M2	\$553.18
	3600	208-230/460	184T	APEW	88.5	13-11.6/5.8	16.6	82	5	APE184T-5-2	M2	\$618.27
5	1800	208-230/460	184T	APEW	89.5	14-13.6/6.8	16.6	81	5	APE184T-5-4	M2	\$661.34
	3600	208-230/460	213T	APEW	89.5	18.8-17.6/8.8	18.2	105	5	APE213T-7.5-2	M2	\$900.87
7.5	1800	208-230/460	213T	APEW	91.7	19.8-18.4/9.2	18.2	106	5	APE213T-7.5-4	M2	\$985.66
	3600	208-230/460	215T	APEW	90.2	23.9-22.8/11.4	19.6	123	5	APE215T-10-2	M2	\$985.66
10	1800	208-230/460	215T	APEW	91.7	26-24/12	19.6	118	5	APE215T-10-4	M2	\$1,096.58

\* Notes:

5. C-Flange field conversion kits (see pg. 64)

Performance Data on p. 69

Dimensions on p. 101

Warranty on p. 145



**Phases and HP:** 3-Phase, 1–600 HP  
**Enclosure:** Totally enclosed fan cooled (TEFC)  
**Frame:** 143T–586/7UZ

**Inverter duty:** 1–300 HP  
 (20:1 VT; 10:1 CT)  
**Inverter rated:** 350–600 HP  
 (10:1 VT; 5:1 CT)

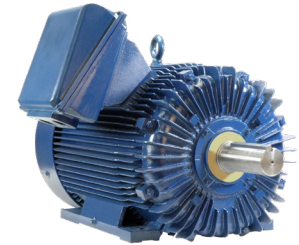


# General Purpose Heavy Duty Cast Iron

UP TO  
**600 HP IN STOCK!**



1-300 HP



350-600 HP

## Standard Features/Specifications

### Performance and convenience

- Service factor: 1.15 @ 60 Hz; 1.0 @ 50 Hz; Suitable for 575V @ 1.0
- NEMA Design B Performance/ High starting torque
- F1/F2 reversible through 449T frame
- Dual-drilled feet for mounting flexibility
- Lifting provision

### Reliability

- Sealed bearings through 215T frame, regreasable open bearings on 254T frame and above; insulated bearings on ODE available on 444T frame and above
- 3-year warranty (extended warranty available)

### Protection

- Class F insulation system; Class B rise at full load; Class H vacuum pressure impregnation (VPI) resin for all windings
- Heavy duty cast iron housing with corrosion-resistant epoxy paint, stainless steel nameplate and zinc plated hardware
- IP55 protection
- Condensation drain with plugs

### Ratings

- NEMA MG- 1, Part 31, Table 12-12 (unless otherwise noted)
- Class I, Div. II, Groups A, B, C, D, T2B; Class II, Div. II, Groups F, G
- 40° C ambient continuous duty
- Dual voltage ratings suitable for part wind start on lower voltage
- Windings rated for 2200V peak voltage spikes

### Applications

- Pumps
- Fans
- Blowers
- Compressors
- Conveyors
- Material handling equipment
- Other industrial machinery
- Damp, dusty or dirty environments
- Suitable for use with variable frequency drives

### Options

- C-Flange & D-Flange Field Conversion Kits Available<sup>16</sup>
- BPK Shaft grounding kits available upon request. See page 65

HP	RPM	Volts	Frame	Flange	Full Load % Efficiency	Full Load Amps	"C" Dim (in.)	Weight (lbs.)	Notes *	Model Number	Mult. Symbol	List Price
1	1800	208-230/460	143T	NEWT	85.5	3.2-3/1.5	13.6	47	8,9,12,26	PE143T-1-4	M2	\$342.09
		575	143T	NEWT	85.5	1.2	13.6	47	8,9,12	PE143T-1-4-575V	M2	\$342.09
	1200	208-230/460	145T	NEWT	82.5	4-3.6/1.8	14.6	53	8,9,12,26	PE145T-1-6	M2	\$443.35
		575	145T	NEWT	82.5	1.4	14.6	52	8,9,12	PE145T-1-6-575V	M2	\$443.35
1.5	3600	208-230/460	143T	NEWT	84.0	4.4-4/2	13.6	46	8,9,12,26	PE143T-1.5-2	M2	\$384.18
		575	143T	NEWT	84.0	1.6	13.6	46	8,9,12	PE143T-1.5-2-575V	M2	\$384.18
	1800	208-230/460	145T	NEWT	86.5	4.7-4.4/2.2	14.6	50	8,9,12,26	PE145T-1.5-4	M2	\$381.19
		575	145T	NEWT	86.5	1.8	14.6	53	8,9,12	PE145T-1.5-4-575V	M2	\$381.19
	1200	208-230/460	182T	NEWT	87.5	5.2-4.8/2.4	16.1	87	8,9,12,26	PE182T-1.5-6	M2	\$621.83
		575	182T	NEWT	87.5	1.9	16.1	95	8,9,12	PE182T-1.5-6-575V	M2	\$621.83

**\* Notes:**

8. NEMA Premium® (NEMA MG-1, Table 12-12)
9. Inverter duty (20:1 variable torque; 10:1 constant torque)
10. 12-lead part wind start at 208-230V
11. 6-lead part wind start at 460V
12. Ball bearing on drive end
13. Insulated bearing on opposite drive end

14. Equipped with terminal blocks as standard
15. Inverter rated (10:1 variable torque; 5:1 constant torque)
16. C- and D- Flange conversion kits (see pg. 63)
26. Suitable for part wind start at 208-230V

Performance Data on p. 70-73  
 Dimensions on p. 102-107  
 Warranty on p. 145



**Phases and HP:** 3-Phase, 1–600 HP  
**Enclosure:** Totally enclosed fan cooled (TEFC)  
**Frame:** 143T–586/7UZ

**Inverter duty:** 1–300 HP  
 (20:1 VT; 10:1 CT)  
**Inverter rated:** 350–600 HP  
 (10:1 VT; 5:1 CT)



# General Purpose – Heavy Duty Cast Iron

HP	RPM	Volts	Frame	Flange	Full Load % Efficiency	Full Load Amps	“C” Dim (in.)	Weight (lbs.)	Notes *	Model Number	Mult. Symbol	List Price
2	3600	208-230/460	145T	NEWT	85.5	5.8-5.3/2.65	14.6	48	8,9,12,26	PE145T-2-2	M2	\$423.34
		575	145T	NEWT	85.5	2.1	14.6	52	8,9,12	PE145T-2-2-575V	M2	\$423.34
	1800	208-230/460	145T	NEWT	86.5	6.6-6.2/3.1	14.6	56	8,9,12,26	PE145T-2-4	M2	\$399.38
		575	145T	NEWT	86.5	2.5	14.6	57	8,9,12	PE145T-2-4-575V	M2	\$399.38
	1200	208-230/460	184T	NEWT	88.5	6.4-5.9/2.95	17.1	91	8,9,12,26	PE184T-2-6	M2	\$687.64
		575	184T	NEWT	88.5	2.4	17.1	103	8,9,12	PE184T-2-6-575V	M2	\$687.64
3	3600	208-230/460	145T	NEWT	86.5	9-8.2/4.1	14.6	54	8,9,12,26	PE145T-3-2	M2	\$537.05
		208-230/460	182T	NEWT	86.5	7.9-7.4/3.7	16.1	86	8,9,12,26	PE182T-3-2	M2	\$581.30
		575	182T	NEWT	86.5	2.96	16.1	90	8,9,12	PE182T-3-2-575V	M2	\$581.30
	1800	208-230/460	182T	NEWT	89.5	8.2-7.6/3.8	16.1	90	8,9,12,26	PE182T-3-4	M2	\$594.54
		575	182T	NEWT	89.5	3.04	16.1	97	8,9,12,26	PE182T-3-4-575V	M2	\$594.54
	1200	208-230/460	213T	NEPE	89.5	9.2-8.4/4.2	18.9	146	8,9,12,26	PE213T-3-6	M2	\$880.84
		575	213T	NEPE	89.5	3.36	18.9	136	8,9,12,26	PE213T-3-6-575V	M2	\$880.84
	5	3600	208-230/460	184T	NEWT	88.5	13-11.6/5.8	17.1	102	8,9,12,26	PE184T-5-2	M2
575			184T	NEWT	88.5	4.64	17.1	110	8,9,12,26	PE184T-5-2-575V	M2	\$713.59
1800		208-230/460	184T	NEWT	89.5	14-13.6/6.8	17.1	101	8,9,12,26	PE184T-5-4	M2	\$710.84
		575	184T	NEWT	89.5	5.44	17.1	94	8,9,12,26	PE184T-5-4-575V	M2	\$710.84
1200		208-230/460	215T	NEPE	89.5	15.6-14.2/7.1	20.4	151	8,9,12,26	PE215T-5-6	M2	\$1,093.20
		575	215T	NEPE	89.5	5.68	20.4	162	8,9,12,26	PE215T-5-6-575V	M2	\$1,093.20
7.5	3600	208-230/460	184T	NEWT	89.5	18.8-17.6/8.8	17.1	117	8,9,12,26	PE184T-7.5-2	M2	\$894.34
		208-230/460	213T	NEWT	89.5	18.8-17.6/8.8	18.9	154	8,9,12,26	PE213T-7.5-2	M2	\$1,039.74
		575	213T	NEWT	89.5	7	18.9	145	8,9,12,26	PE213T-7.5-2-575V	M2	\$1,039.74
	1800	208-230/460	213T	NEWT	91.7	19.8-18.4/9.2	18.9	155	8,9,12,26	PE213T-7.5-4	M2	\$1,059.38
		575	213T	NEWT	91.7	7.4	18.9	155	8,9,12,26	PE213T-7.5-4-575V	M2	\$1,059.38
	1200	208-230/460	254T	NEPE	91.0	21-19.6/9.8	23.2	242	8,9,10,12	PE254T-7.5-6	M2	\$1,594.53
		575	254T	NEPE	91.0	7.8	23.2	272	8,9,12	PE254T-7.5-6-575V	M2	\$1,594.53
	10	3600	208-230/460	215T	NEWT	90.2	23.9-22.8/11.4	20.4	162	8,9,12,26	PE215T-10-2	M2
575			215T	NEWT	90.2	9.1	20.4	167	8,9,12,26	PE215T-10-2-575V	M2	\$1,137.59
1800		208-230/460	215T	NEWT	91.7	26-24/12	20.4	178	8,9,12,26	PE215T-10-4	M2	\$1,178.58
		575	215T	NEWT	91.7	9.6	20.4	206	8,9,12,26	PE215T-10-4-575V	M2	\$1,178.58
1200		208-230/460	256T	NEPE	91.0	27.2-25.6/12.8	25	261	8,9,10,12	PE256T-10-6	M2	\$1,718.33
		575	256T	NEPE	91.0	10.2	25	293	8,9,12	PE256T-10-6-575V	M2	\$1,718.33
15	3600	208-230/460	215T	NEWT	91.0	37-35/17.5	20.4	179	8,9,12,26	PE215T-15-2	M2	\$1,547.25
		208-230/460	254T	NEWT	91.0	36.2-34.4/17.2	23.2	260	8,9,12,26	PE254T-15-2	M2	\$1,732.01
		575	254T	NEWT	91.0	13.76	23.2	286	8,9,12	PE254T-15-2-575V	M2	\$1,732.01
	1800	208-230/460	254T	NEPE	92.4	37.2-36.4/18.2	23.2	275	8,9,10,12	PE254T-15-4	M2	\$1,796.19
		575	254T	NEPE	92.4	14.56	23.2	285	8,9,12	PE254T-15-4-575V	M2	\$1,796.19
	1200	208-230/460	284T	NEWT	91.7	41-38/19	26.6	315	8,9,10,12	PE284T-15-6	M2	\$2,142.19
575		284T	NEWT	91.7	15.2	26.6	363	8,9,12	PE284T-15-6-575V	M2	\$2,142.19	
20	3600	208-230/460	256T	NEWT	91.0	48.5-46/23	25	280	8,9,10,12	PE256T-20-2	M2	\$2,038.02
		575	256T	NEWT	91.0	18.4	25	315	8,9,12	PE256T-20-2-575V	M2	\$2,038.02
	1800	208-230/460	256T	NEPE	93.0	51.8-48.4/24.2	25	317	8,9,10,12	PE256T-20-4	M2	\$2,021.54
		575	256T	NEPE	93.0	19.36	25	317	8,9,12	PE256T-20-4-575V	M2	\$2,021.54
	1200	208-230/460	286T	NEWT	91.7	54.7-50/25	28.1	394	8,9,10,12	PE286T-20-6	M2	\$2,418.33
		575	286T	NEWT	91.7	20	28.1	394	8,9,12	PE286T-20-6-575V	M2	\$2,418.33

**\* Notes:**

- 8. NEMA Premium® (NEMA MG-1, Table 12-12)
- 9. Inverter duty (20:1 variable torque; 10:1 constant torque)
- 10. 12-lead part wind start at 208-230V
- 11. 6-lead part wind start at 460V
- 12. Ball bearing on drive end
- 13. Insulated bearing on opposite drive end

- 14. Equipped with terminal blocks as standard
- 15. Inverter rated (10:1 variable torque; 5:1 constant torque)
- 16. C- and D- Flange conversion kits (see pg. 63)
- 26. Suitable for part wind start at 208-230V

Performance Data on p. 70-73  
 Dimensions on p. 102-107  
 Warranty on p. 145



**Phases and HP:** 3-Phase, 1–600 HP  
**Enclosure:** Totally enclosed fan cooled (TEFC)  
**Frame:** 143T–586/7UZ

**Inverter duty:** 1–300 HP  
 (20:1 VT; 10:1 CT)  
**Inverter rated:** 350–600 HP  
 (10:1 VT; 5:1 CT)



# General Purpose – Heavy Duty Cast Iron

HP	RPM	Volts	Frame	Flange	Full Load % Efficiency	Full Load Amps	“C” Dim (in.)	Weight (lbs.)	Notes *	Model Number	Mult. Symbol	List Price	
25	3600	208-230/460	256T	NEWT	91.7	60-56/28	25	298	8,9,10,12	PE256T-25-2	M2	\$2,329.96	
		208-230/460	284T	NEWT	91.7	61-57/28.5	26.6	383	8,9,10,12	PE284T-25-2	M2	\$2,461.28	
		208-230/460	284TS	NEWT	91.7	61-57/28.5	25.2	383	8,9,10,12	PE284TS-25-2	M2	\$2,461.28	
		575	284TS	NEWT	91.7	22.8	25.2	385	8,9,12	PE284TS-25-2-575V	M2	\$2,461.28	
	1800	208-230/460	284T	NEWT	93.6	65-60/30	26.6	364	8,9,10,12	PE284T-25-4	M2	\$2,306.36	
		208-230/460	284TS	NEWT	93.6	65-60/30	25.2	364	8,9,10,12	PE284TS-25-4	M2	\$2,306.36	
		575	284T	NEWT	93.6	24	26.6	398	8,9,12	PE284T-25-4-575V	M2	\$2,306.36	
	1200	208-230/460	324T	NEWT	93.0	67-61/30.5	29.8	477	8,9,10,12	PE324T-25-6	M2	\$3,116.69	
		575	324T	NEWT	93.0	24.4	29.8	508	8,9,12	PE324T-25-6-575V	M2	\$3,116.69	
	30	3600	208-230/460	286T	NEWT	91.7	74-69/34.5	28.1	391	8,9,10,12	PE286T-30-2	M2	\$2,611.54
208-230/460			286TS	NEWT	91.7	74-69/34.5	26.7	391	8,9,10,12	PE286TS-30-2	M2	\$2,611.54	
575			286TS	NEWT	91.7	27.6	26.7	409	8,9,12	PE286TS-30-2-575V	M2	\$2,611.54	
1800		208-230/460	286T	NEWT	93.6	76-70.6/35.3	28.1	409	8,9,10,12	PE286T-30-4	M2	\$2,591.44	
		208-230/460	286TS	NEWT	93.6	76-70.6/35.3	26.7	409	8,9,10,12	PE286TS-30-4	M2	\$2,591.44	
		575	286T	NEWT	93.6	28.2	28.1	437	8,9,12	PE286T-30-4-575V	M2	\$2,591.44	
1200		208-230/460	326T	NEWT	93.0	78-71.8/35.9	31.3	648	8,9,10,12	PE326T-30-6	M2	\$3,424.56	
		575	326T	NEWT	93.0	28.7	31.3	537	8,9,12	PE326T-30-6-575V	M2	\$3,424.56	
40		3600	208-230/460	286T	NEWT	92.4	95-89/44.5	28.1	401	8,9,10,12	PE286T-40-2	M2	\$3,274.72
			208-230/460	286TS	NEWT	92.4	95-89/44.5	26.7	401	8,9,10,12	PE286TS-40-2	M2	\$3,274.72
	208-230/460		324T	NEWT	92.4	94.9-91/45.5	29.8	532	8,9,10,12	PE324T-40-2	M2	\$3,595.91	
	208-230/460		324TS	NEWT	92.4	94.9-91/45.5	28.3	495	8,9,10,12	PE324TS-40-2	M2	\$3,595.91	
	575		324TS	NEWT	92.4	36.4	28.3	414	8,9,12	PE324TS-40-2-575V	M2	\$3,595.91	
	1800	208-230/460	324T	NEWT	94.1	100-93.2/46.6	29.8	513	8,9,10,12	PE324T-40-4	M2	\$3,478.20	
		208-230/460	324TS	NEWT	94.1	100-93.2/46.6	28.3	513	8,9,10,12	PE324TS-40-4	M2	\$3,478.20	
		575	324T	NEWT	94.1	37.3	29.8	519	8,9,12	PE324T-40-4-575V	M2	\$3,478.20	
	1200	208-230/460	364T	NEPE	94.1	110-100/50	32.5	724	8,9,10,12	PE364T-40-6	M2	\$4,786.36	
		575	364T	NEPE	94.1	40	32.5	697	8,9,12	PE364T-40-6-575V	M2	\$4,786.36	
50	3600	208-230/460	326T	NEWT	93.0	124-116.2/58.1	31.3	568	8,9,10,12	PE326T-50-2	M2	\$3,845.41	
		208-230/460	326TS	NEWT	93.0	124-116.2/58.1	29.8	568	8,9,10,12	PE326TS-50-2	M2	\$3,845.41	
		575	326TS	NEWT	93.0	46.48	29.8	548	8,9,12	PE326TS-50-2-575V	M2	\$3,845.41	
	1800	208-230/460	326T	NEWT	94.5	124-116.6/58.3	31.3	592	8,9,10,12	PE326T-50-4	M2	\$3,786.07	
		208-230/460	326TS	NEWT	94.5	124-116.6/58.3	29.8	592	8,9,10,12	PE326TS-50-4	M2	\$3,786.07	
		575	326T	NEWT	94.5	46.6	31.3	594	8,9,12	PE326T-50-4-575V	M2	\$3,786.07	
	1200	208-230/460	365T	NEPE	94.1	132-124/62	33.5	779	8,9,10,12	PE365T-50-6	M2	\$5,315.19	
		575	365T	NEPE	94.1	49.6	33.5	752	8,9,12	PE365T-50-6-575V	M2	\$5,315.19	
	60	3600	208-230/460	364T	NEWT	93.6	146-132/66	33.5	805	8,9,10,12	PE364T-60-2	M2	\$5,132.80
			208-230/460	364TS	NEWT	93.6	146-132/66	31.4	805	8,9,10,12	PE364TS-60-2	M2	\$5,132.80
575			364TS	NEWT	93.6	52.8	31.4	704	8,9,12	PE364TS-60-2-575V	M2	\$5,132.80	
1800		208-230/460	364T	NEPE	95.0	154-139/69.5	32.5	801	8,9,10,12	PE364T-60-4	M2	\$5,231.62	
		208-230/460	364TS	NEPE	95.0	154-139/69.5	30.4	801	8,9,10,12	PE364TS-60-4	M2	\$5,231.62	
		575	364T	NEPE	95.0	55.6	32.5	766	8,9,12	PE364T-60-4-575V	M2	\$5,231.62	
1200		208-230/460	404T	NEPE	94.5	154-140/70	38	959	8,9,10	PE404T-60-6	M2	\$6,233.38	
		208-230/460	404T	NEPE	94.5	154-140/70	38	959	8,9,10,12	PE404T-60-6-BB	M2	\$6,233.38	
			575	404T	NEPE	94.5	56	38	1000	8,9,12	PE404T-60-6-575V	M2	\$6,233.38

**\* Notes:**

- 8. NEMA Premium® (NEMA MG-1, Table 12-12)
- 9. Inverter duty (20:1 variable torque; 10:1 constant torque)
- 10. 12-lead part wind start at 208-230V
- 11. 6-lead part wind start at 460V
- 12. Ball bearing on drive end
- 13. Insulated bearing on opposite drive end

- 14. Equipped with terminal blocks as standard
- 15. Inverter rated (10:1 variable torque; 5:1 constant torque)
- 16. C- and D- Flange conversion kits (see pg. 63)
- 26. Suitable for part wind start at 208-230V

Performance Data on p. 70-73  
 Dimensions on p. 102-107  
 Warranty on p. 145



GENERAL PURPOSE MOTORS

SPECIAL PURPOSE MOTORS

ACCESSORIES

APPENDIX

Phases and HP: 3-Phase, 1–600 HP

Enclosure: Totally enclosed fan cooled (TEFC)

Frame: 143T–586/7UZ

Inverter duty: 1–300 HP

(20:1 VT; 10:1 CT)

Inverter rated: 350–600 HP

(10:1 VT; 5:1 CT)



# General Purpose – Heavy Duty Cast Iron

HP	RPM	Volts	Frame	Flange	Full Load % Efficiency	Full Load Amps	“C” Dim (in.)	Weight (lbs.)	Notes *	Model Number	Mult. Symbol	List Price	
75	3600	208-230/460	365T	NEWT	93.6	184-166/83	33.5	833	8,9,10,12	PE365T-75-2	M2	\$5,185.54	
		208-230/460	365TS	NEWT	93.6	184-166/83	31.4	833	8,9,10,12	PE365TS-75-2	M2	\$5,185.49	
		575	365TS	NEWT	93.6	66.4	31.4	766	8,9,12	PE365TS-75-2-575V	M2	\$5,185.49	
	1800	208-230/460	365T	NEPE	95.4	193-174/87	33.5	823	8,9,10,12	PE365T-75-4	M2	\$5,788.21	
		208-230/460	365TS	NEPE	95.4	193-174/87	31.4	826	8,9,10,12	PE365TS-75-4	M2	\$5,788.21	
		575	365T	NEPE	95.4	69.6	33.5	868	8,9,12	PE365T-75-4-575V	M2	\$5,788.21	
		208-230/460	405T	NEPE	94.5	193-174/87	38	1085	8,9,10	PE405T-75-6	M2	\$7,680.49	
		208-230/460	405T	NEPE	94.5	193-174/87	38	1085	8,9,10,12	PE405T-75-6-BB	M2	\$7,680.49	
		575	405T	NEPE	94.5	69.6	38	1120	8,9	PE405T-75-6-575V	M2	\$7,680.49	
100	3600	208-230/460	405T	NEWT	94.1	248-224/112	38	1107	8,9,10,12	PE405T-100-2	M2	\$8,040.51	
		208-230/460	405TS	NEWT	94.1	248-224/112	35	1107	8,9,10,12	PE405TS-100-2	M2	\$8,040.51	
		575	405TS	NEWT	94.1	89.6	35	1040	8,9,12	PE405TS-100-2-575V	M2	\$8,040.51	
	1800	208-230/460	405T	NEPE	95.4	248-224/112	38	1228	8,9,10	PE405T-100-4	M2	\$7,569.12	
		208-230/460	405T	NEPE	95.4	248-224/112	38	1228	8,9,10,12	PE405T-100-4-BB	M2	\$7,569.12	
		208-230/460	405TS	NEPE	95.4	248-224/112	35	1228	8,9,10,12	PE405TS-100-4	M2	\$7,569.12	
		575	405T	NEPE	95.4	89.6	38	1058	8,9,12	PE405T-100-4-575V	M2	\$7,569.12	
		208-230/460	444T	NEPE	95.0	250-232/116	44.3	1364	8,9,10	PE444T-100-6	M2	\$10,241.10	
		208-230/460	444T	NEPE	95.0	250-232/116	44.3	1364	8,9,10,13	PE444T-100-6-IN	M2	\$12,141.83	
	125	3600	460	444TS	NEWT	95.0	140	40.6	1331	8,9,11,12	PE444TS-125-2	M2	\$9,932.71
			460	444TS	NEWT	95.0	140	40.6	1331	8,9,11,12,13	PE444TS-125-2-IN	M2	\$12,442.33
			575	444TS	NEWT	95.0	112	40.6	1247	8,9,12	PE444TS-125-2-575V	M2	\$9,932.71
1800		460	444T	NEPE	95.4	145	44.3	1471	8,9,11	PE444T-125-4	M2	\$9,999.69	
		460	444T	NEPE	95.4	145	44.3	1471	8,9,11,12	PE444T-125-4-BB	M2	\$9,999.69	
		460	444T	NEPE	95.4	145	44.3	1471	8,9,11,13	PE444T-125-4-IN	M2	\$12,396.94	
		460	444TS	NEPE	95.4	145	40.6	1471	8,9,11,12	PE444TS-125-4	M2	\$9,999.69	
		575	444T	NEPE	95.4	116	44.3	1342	8,9	PE444T-125-4-575V	M2	\$9,999.69	
		460	445T	NEPE	95.0	147	44.3	1562	8,9,11	PE445T-125-6	M2	\$10,908.50	
1200	460	445T	NEPE	95.0	147	44.3	1562	8,9,11,13	PE445T-125-6-IN	M2	\$12,809.19		
	575	445T	NEPE	95.0	27.6	44.3	1400	8,9,11	PE445T-125-6-575V	M2	\$10,908.50		
	460	445TS	NEPE	95.0	166	40.6	1459	8,9,11,12	PE445TS-150-2	M2	\$12,207.80		
150	3600	460	445TS	NEPE	95.0	166	40.6	1459	8,9,11,12,13	PE445TS-150-2-IN	M2	\$14,717.41	
		575	445TS	NEPE	95.0	132.8	40.6	1408	8,9,12	PE445TS-150-2-575V	M2	\$12,207.80	
		460	445T	NEPE	95.8	171	44.3	1683	8,9,11	PE445T-150-4	M2	\$12,038.00	
	1800	460	445T	NEPE	95.8	171	44.3	1683	8,9,11,12	PE445T-150-4-BB	M2	\$12,038.00	
		460	445T	NEPE	95.8	171	44.3	1683	8,9,11,13	PE445T-150-4-IN	M2	\$13,938.69	
		460	445TS	NEPE	95.8	171	40.6	1683	8,9,11,12	PE445TS-150-4	M2	\$12,038.00	
		575	445T	NEPE	95.8	136.8	44.3	1672	8,9	PE445T-150-4-575V	M2	\$12,038.00	
		460	447T	NEPE	95.8	173	47.8	1826	8,9,11	PE447T-150-6	M2	\$13,216.72	
		460	447T	NEPE	95.8	173	47.8	1826	8,9,11,13	PE447T-150-6-IN	M2	\$15,117.41	
	1200	575	447T	NEPE	95.8	138.4	47.8	1800	8,9	PE447T-150-6-575V	M2	\$13,216.72	

\* Notes:

- 8. NEMA Premium® (NEMA MG-1, Table 12-12)
- 9. Inverter duty (20:1 variable torque; 10:1 constant torque)
- 10. 12-lead part wind start at 208-230V
- 11. 6-lead part wind start at 460V
- 12. Ball bearing on drive end
- 13. Insulated bearing on opposite drive end

- 14. Equipped with terminal blocks as standard
- 15. Inverter rated (10:1 variable torque; 5:1 constant torque)
- 16. C- and D- Flange conversion kits (see pg. 63)
- 26. Suitable for part wind start at 208-230V

Performance Data on p. 70-73  
 Dimensions on p. 102-107  
 Warranty on p. 145



GENERAL PURPOSE MOTORS

SPECIAL PURPOSE MOTORS

ACCESSORIES

APPENDIX

Phases and HP: 3-Phase, 1–600 HP

Enclosure: Totally enclosed fan cooled (TEFC)

Frame: 143T–586/7UZ

Inverter duty: 1–300 HP

(20:1 VT; 10:1 CT)

Inverter rated: 350–600 HP  
(10:1 VT; 5:1 CT)



# General Purpose – Heavy Duty Cast Iron

HP	RPM	Volts	Frame	Flange	Full Load % Efficiency	Full Load Amps	“C” Dim (in.)	Weight (lbs.)	Notes *	Model Number	Mult. Symbol	List Price	
200	3600	460	447TS	NEPE	95.4	222	44.1	1761	8,9,11,12	PE447TS-200-2	M2	\$15,315.25	
		460	447TS	NEPE	95.4	222	44.1	1761	8,9,11,12,13	PE447TS-200-2-IN	M2	\$17,824.82	
		575	447TS	NEPE	95.4	177.6	44.1	1584	8,9,12	PE447TS-200-2-575V	M2	\$15,315.25	
	1800	460	447T	NEPE	96.2	220	47.8	1890	8,9,11	PE447T-200-4	M2	\$14,046.43	
		460	447T	NEPE	96.2	220	47.8	1890	8,9,11,12	PE447T-200-4-BB	M2	\$14,046.43	
		460	447T	NEPE	96.2	220	47.8	1890	8,9,11,13	PE447T-200-4-IN	M2	\$15,947.17	
		460	447TS	NEPE	96.2	220	44.1	1866	8,9,11,12	PE447TS-200-4	M2	\$14,046.43	
		575	447T	NEPE	96.2	176	47.8	1782	8,9	PE447T-200-4-575V	M2	\$14,046.43	
		460	449T	NEPE	95.8	230	52.8	2151	8,9,11	PE449T-200-6	M2	\$15,110.47	
	1200	460	449T	NEPE	95.8	230	52.8	2151	8,9,11,13	PE449T-200-6-IN	M2	\$17,382.09	
		575	449T	NEPE	95.8	184	52.8	2100	8,9	PE449T-200-6-575V	M2	\$15,110.47	
		460	449TS	NEPE	95.8	266	49.1	1954	8,9,11,12	PE449TS-250-2	M2	\$14,707.60	
250	3600	460	449TS	NEPE	95.8	266	49.1	1954	8,9,11,12,13	PE449TS-250-2-IN	M2	\$16,819.31	
		575	449TS	NEPE	95.8	212.8	49.1	1870	8,9,12	PE449TS-250-2-575V	M2	\$14,707.60	
		460	449T	NEPE	96.2	275	52.8	2064	8,9,11	PE449T-250-4	M2	\$12,934.02	
	1800	460	449T	NEPE	96.2	275	52.8	2064	8,9,11,12	PE449T-250-4-BB	M2	\$12,934.02	
		460	449T	NEPE	96.2	275	52.8	2064	8,9,11,13	PE449T-250-4-IN	M2	\$14,533.32	
		575	449T	NEPE	96.2	220	52.8	2150	8,9	PE449T-250-4-575V	M2	\$12,934.02	
		460	449T	NEPE	95.8	280	52.8	2387	8,9,11	PE449T-250-6	M2	\$15,877.70	
	1200	460	449T	NEPE	95.8	280	52.8	2387	8,9,11,13	PE449T-250-6-IN	M2	\$17,789.07	
		575	449T	NEPE	95.8	224	52.8	2323	8,9	PE449T-250-6-575V	M2	\$15,877.70	
		460	449TS	NEPE	95.8	320	49.1	2087	8,9,11,12	PE449TS-300-2	M2	\$17,275.58	
	300	3600	460	449TS	NEPE	95.8	320	49.1	2087	8,9,11,12,13	PE449TS-300-2-IN	M2	\$20,039.64
			575	449TS	NEPE	95.8	256	49.1	2002	8,9,12	PE449TS-300-2-575V	M2	\$17,275.58
460			449T	NEPE	96.2	330	52.8	2196	8,9,11	PE449T-300-4	M2	\$17,617.08	
1800		460	449T	NEPE	96.2	330	52.8	2196	8,9,11,12	PE449T-300-4-BB	M2	\$17,617.08	
		460	449T	NEPE	96.2	330	52.8	2196	8,9,11,13	PE449T-300-4-IN	M2	\$19,634.23	
		460	449TS	NEPE	96.2	330	49.1	2172	8,9,11,12	PE449TS-300-4	M2	\$17,617.08	
		575	449T	NEPE	96.2	264	52.8	2220	8,9	PE449T-300-4-575V	M2	\$17,617.08	
1200		460	449T	NEPE	95.8	357	52.8	2684	8,9,11	PE449T-300-6	M2	\$18,955.08	
		460	449T	NEPE	95.8	357	52.8	2684	8,9,11,13	PE449T-300-6-IN	M2	\$20,554.37	
		575	449T	NEPE	95.8	285.6	52.8	2532	8,9	PE449T-300-6-575V	M2	\$18,955.08	
350		1800	460	587UZ	NC58	96.2	378.5	71.7	4846.6	8,12,14,15	PE587UZ-350-4C-BB	M2	\$27,629.58
		1200	460	587UZ	NC58	95.8	390.4	71.7	5176	8,12,14,15	PE587UZ-350-6C-BB	M2	\$32,415.17
400	1800	460	587UZ	NC58	96.2	434.9	71.7	4983	8,12,14,15	PE587UZ-400-4C-BB	M2	\$30,402.92	
	1200	460	587UZ	NC58	95.8	448.6	71.7	5940	8,12,14,15	PE587UZ-400-6C-BB	M2	\$35,937.59	
450	1800	460	587UZ	NC58	96.2	487.2	71.7	5370.2	8,12,14,15	PE587UZ-450-4C-BB	M2	\$34,562.90	
	1200	460	587UZ	NC58	96.2	504.7	71.7	6041.2	8,12,14,15	PE587UZ-450-6C-BB	M2	\$38,906.19	
500	1800	460	587UZ	NC58	96.2	558.1	71.7	5687	8,12,14,15	PE587UZ-500-4C-BB	M2	\$37,256.54	
	1200	460	587UZ	NC58	95.8	563.1	71.7	6190.8	8,12,14,15	PE587UZ-500-6C-BB	M2	\$42,795.21	
600	1800	460	587UZ	NC58	96.2	669.6	71.7	5946.6	12,14,15	PE587UZ-600-4C-BB	M2	\$50,256.22	

**\* Notes:**

- 8. NEMA Premium® (NEMA MG-1, Table 12-12)
- 9. Inverter duty (20:1 variable torque; 10:1 constant torque)
- 10. 12-lead part wind start at 208-230V
- 11. 6-lead part wind start at 460V
- 12. Ball bearing on drive end
- 13. Insulated bearing on opposite drive end
- 14. Equipped with terminal blocks as standard
- 15. Inverter rated (10:1 variable torque; 5:1 constant torque)
- 16. C- and D- Flange conversion kits (see pg. 63)
- 26. Suitable for part wind start at 208-230V

Performance Data on p. 70-73

Dimensions on p. 102-107

Warranty on p. 145



**Phases and HP:** 3-Phase, 1–300 HP  
**Enclosure:** Totally enclosed fan cooled (TEFC)  
**Frame:** 143TC–449TC

**Inverter duty:** (20:1 VT; 10:1 CT)



GENERAL PURPOSE MOTORS

SPECIAL PURPOSE MOTORS

ACCESSORIES

APPENDIX

# General Purpose

## C-Flange w/Feet

### Heavy Duty Cast Iron

UP TO  
300 HP IN  
STOCK!



## Standard Features/Specifications

### Performance and convenience

- Service factor: 1.15 @ 60 Hz; 1.0 @ 50 Hz
- NEMA Design B Performance/ High starting torque
- F1/F2 reversible
- Dual-drilled feet for mounting flexibility
- Lifting provision

### Reliability

- Sealed bearings
- 3-year warranty (extended warranty available)

### Protection

- Class F insulation system; Class B rise at full load; Class H vacuum pressure impregnation (VPI) resin for all windings
- Corrosion-resistant epoxy paint and stainless steel nameplate and zinc plated hardware
- IP55 protection
- Condensation drain with plugs

### Ratings

- NEMA MG- 1, Part 31, Table 12-12
- Class I, Div. II, Groups A, B, C, D, T2B; Class II, Div. II, Groups F, G
- 40° C ambient continuous duty
- Dual voltage ratings suitable for part wind start on lower voltage
- Windings rated for 2200V peak voltage spikes

### Applications

- Pumps
- Fans
- Blowers
- Compressors
- Conveyors
- Material handling equipment
- Other industrial machinery
- Damp, dusty or dirty environments
- Suitable for use with variable frequency drives

### Options

- D-Flange field conversion kits available<sup>18</sup>

HP	RPM	Volts	Frame	Flange	Full Load % Efficiency	Full Load Amps	"C" Dim (in.)	Weight (lbs.)	Notes *	Model Number	Mult. Symbol	List Price
1	1800	208-230/460	143TC	NEWT	85.5	3.2-3/1.5	13.6	47	8,9,12,13,26	PE143TC-1-4	M2	\$352.32
	1200	208-230/460	145TC	NEWT	82.5	4-3.6/1.8	14.6	57	8,9,12,13,26	PE145TC-1-6	M2	\$456.60
1.5	3600	208-230/460	143TC	NEWT	84.0	4.4-4/2	13.6	46	8,9,12,13,26	PE143TC-1.5-2	M2	\$395.70
	1800	208-230/460	145TC	NEWT	86.5	4.7-4.4/2.2	14.6	52	8,9,12,13,26	PE145TC-1.5-4	M2	\$392.57
2	1200	208-230/460	182TC	NEWT	87.5	5.2-4.8/2.4	16.1	93	8,9,12,13,26	PE182TC-1.5-6	M2	\$640.42
	3600	208-230/460	145TC	NEWT	85.5	5.8-5.3/2.65	14.6	49	8,9,12,13,26	PE145TC-2-2	M2	\$436.03
	1800	208-230/460	145TC	NEWT	86.5	6.6-6.2/3.1	14.6	56	8,9,12,13,26	PE145TC-2-4	M2	\$411.42
3	1200	208-230/460	184TC	NEWT	88.5	6.4-5.9/2.95	17.1	91	8,9,12,13,26	PE184TC-2-6	M2	\$708.26
	3600	208-230/460	145TC	NEWT	86.5	9-8.2/4.1	14.6	58	8,9,12,13,26	PE145TC-3-2	M2	\$553.09
	1800	208-230/460	182TC	NEWT	86.5	7.9-7.4/3.7	16.1	88	8,9,12,13,26	PE182TC-3-2	M2	\$598.76
	1200	208-230/460	182TC	NEWT	89.5	8.2-7.6/3.8	16.1	92	8,9,12,13,26	PE182TC-3-4	M2	\$612.38
5	1200	208-230/460	213TC	NEPE	89.5	9.2-8.4/4.2	18.9	150	8,9,12,13,26	PE213TC-3-6	M2	\$907.22
	3600	208-230/460	184TC	NEWT	88.5	13-11.6/5.8	17.1	102	8,9,12,13,26	PE184TC-5-2	M2	\$735.01
	1800	208-230/460	184TC	NEWT	89.5	14-13.6/6.8	17.1	101	8,9,12,13,26	PE184TC-5-4	M2	\$732.17
	1200	208-230/460	215TC	NEPE	89.5	15.6-14.2/7.1	20.4	153	8,9,12,13,26	PE215TC-5-6	M2	\$1,126.04

\* Notes:

- NEMA Premium® (NEMA MG-1, Table 12-12)
- Inverter Duty (20:1 Variable Torque; 10:1 Constant Torque)
- 12-lead part wind start at 208-230V
- 6-lead part wind start at 460V
- Ball bearing on drive end

- Insulated bearing on opposite drive end
- Inverter Rated (10:1 Variable Torque; 5:1 Constant Torque)
- D-Flange conversion kits (see pg. 63)
- Suitable for part wind start at 208-230V

Performance Data on p. 74-75  
 Dimensions on p. 108-110  
 Warranty on p. 145





Phases and HP: 3-Phase, 1–300 HP

Inverter duty: (20:1 VT; 10:1 CT)

Enclosure: Totally enclosed fan cooled (TEFC)

Frame: 143TC–449TC



# General Purpose — C-Flange w/Feet — Heavy Duty Cast Iron

HP	RPM	Volts	Frame	Flange	Full Load % Efficiency	Full Load Amps	“C” Dim (in.)	Weight (lbs.)	Notes *	Model Number	Mult. Symbol	List Price
7.5	3600	208-230/460	184TC	NEWT	89.5	18.8-17.6/8.8	17.1	119	8,9,12,13,26	PE184TC-7.5-2	M2	\$921.18
		208-230/460	213TC	NEWT	89.5	18.8-17.6/8.8	18.9	154	8,9,12,13,26	PE213TC-7.5-2	M2	\$1,070.98
	1800	208-230/460	213TC	NEPE	91.7	19.8-18.4/9.2	18.9	159	8,9,12,13,26	PE213TC-7.5-4	M2	\$1,091.16
		208-230/460	254TC	NEPE	91.0	21-19.6/9.8	23.2	242	8,9,10,12,13	PE254TC-7.5-6	M2	\$1,642.37
10	3600	208-230/460	215TC	NEWT	90.2	23.9-22.8/11.4	20.4	163	8,9,12,13,26	PE215TC-10-2	M2	\$1,171.70
	1800	208-230/460	215TC	NEPE	91.7	26-24/12	20.4	181	8,9,12,13,26	PE215TC-10-4	M2	\$1,213.94
		208-230/460	256TC	NEPE	91.0	27.2-25.6/12.8	25	269	8,9,10,12	PE256TC-10-6	M2	\$1,769.89
15	3600	208-230/460	215TC	NEPE	91.0	37-35/17.5	20.4	183	8,9,12,26	PE215TC-15-2	M2	\$1,593.73
		208-230/460	254TC	NEWT	91.0	36.2-34.4/17.2	23.2	261	8,9,10,12	PE254TC-15-2	M2	\$1,784.00
	1800	208-230/460	254TC	NEWT	92.4	37.2-36.4/18.2	23.2	280	8,9,10,12	PE254TC-15-4	M2	\$1,850.08
		208-230/460	284TC	NEWT	91.7	41 - 38 / 19	26.6	325	8,9,10,12,13,15,18	PE284TC-15-6	M2	\$2,206.45
20	3600	208-230/460	256TC	NEWT	91.0	48.5-46/23	25	269	8,9,10,12	PE256TC-20-2	M2	\$2,099.07
	1800	208-230/460	256TC	NEWT	93.0	51.8-48.4/24.2	25	322	8,9,10,12	PE256TC-20-4	M2	\$2,082.19
		208-230/460	286TC	NEWT	91.7	54.7 - 50 / 25	28.1	404	8,9,10,12,13,15,18	PE286TC-20-6	M2	\$2,490.94
25	3600	208-230/460	256TC	NEWT	91.7	60-56/28	25	306	8,9,10,12	PE256TC-25-2	M2	\$2,399.91
		208-230/460	284TC	NEWT	91.7	61-57/28.5	26.6	393	8,9,10,12	PE284TC-25-2	M2	\$2,535.05
		208-230/460	284TSC	NEWT	91.7	61-57/28.5	25.2	393	8,9,10,12	PE284TSC-25-2	M2	\$2,535.05
		208-230/460	284TC	NEWT	93.6	65-60/30	26.6	396	8,9,10,12	PE284TC-25-4	M2	\$2,375.55
	1800	208-230/460	284TSC	NEWT	93.6	65-60/30	25.2	396	8,9,10,12	PE284TSC-25-4	M2	\$2,375.55
		208-230/460	324TC	NEWT	93.0	67 - 61 / 30.5	29.8	495	8,9,10,12,13,15,18	PE324TC-25-6	M2	\$3,210.23
30	3600	208-230/460	286TC	NEWT	91.7	74-69/34.5	28.1	401	8,9,10,12	PE286TC-30-2	M2	\$2,689.86
		208-230/460	286TSC	NEWT	91.7	74-69/34.5	26.7	401	8,9,10,12	PE286TSC-30-2	M2	\$2,689.86
		208-230/460	286TC	NEWT	93.6	76-70.6/35.3	28.1	434	8,9,10,12	PE286TC-30-4	M2	\$2,669.18
	1800	208-230/460	286TSC	NEWT	93.6	76-70.6/35.3	26.7	434	8,9,10,12	PE286TSC-30-4	M2	\$2,669.18
		208-230/460	326TC	NEWT	93.0	78 - 71.8 / 35.9	31.3	648	8,9,10,12,13,15,18	PE326TC-30-6	M2	\$3,527.38
40	3600	208-230/460	286TC	NEWT	92.4	95-89/44.5	28.1	411	8,9,10,12	PE286TC-40-2	M2	\$3,372.98
		208-230/460	286TSC	NEWT	92.4	95-89/44.5	26.7	411	8,9,10,12	PE286TSC-40-2	M2	\$3,372.98
		208-230/460	324TC	NEWT	92.4	94.9-91/45.5	29.8	550	8,9,10,12	PE324TC-40-2	M2	\$3,703.80
		208-230/460	324TSC	NEWT	92.4	94.9-91/45.5	28.3	513	8,9,10,12	PE324TSC-40-2	M2	\$3,703.80
	1800	208-230/460	324TC	NEWT	94.1	100-93.2/46.6	29.8	551	8,9,10,12	PE324TC-40-4	M2	\$3,582.50
		208-230/460	324TSC	NEWT	94.1	100-93.2/46.6	28.3	551	8,9,10,12	PE324TSC-40-4	M2	\$3,582.50
50	3600	208-230/460	326TC	NEWT	93.0	124-116.2/58.1	31.3	586	8,9,10,12	PE326TC-50-2	M2	\$3,960.76
		208-230/460	326TSC	NEWT	93.0	124-116.2/58.1	29.8	586	8,9,10,12	PE326TSC-50-2	M2	\$3,960.76
		208-230/460	326TC	NEWT	94.5	124-116.6/58.3	31.3	626	8,9,10,12	PE326TC-50-4	M2	\$3,899.65
	1800	208-230/460	326TSC	NEWT	94.5	124-116.6/58.3	29.8	626	8,9,10,12	PE326TSC-50-4	M2	\$3,899.65
		208-230/460	365TC	NEPE	94.1	132 - 124 / 62	33.5	779	8,9,10,12,13,15,18	PE365TC-50-6	M2	\$5,474.55
60	3600	208-230/460	364TC	NEWT	93.6	146-132/66	33.5	805	8,9,10,12	PE364TC-60-2	M2	\$5,286.78
		208-230/460	364TSC	NEWT	93.6	146-132/66	31.4	805	8,9,10,12	PE364TSC-60-2	M2	\$5,286.78
		208-230/460	364TC	NEPE	95.0	154-139/69.5	32.5	800	8,9,10,12	PE364TC-60-4	M2	\$5,388.55
	1800	208-230/460	364TSC	NEPE	95.0	154-139/69.5	30.4	800	8,9,10,12	PE364TSC-60-4	M2	\$5,388.55
		208-230/460	404TC	NEPE	94.5	154 - 140 / 70	38	1000	8,9,10,12,13,15,18	PE404TC-60-6	M2	\$6,420.41
75	3600	208-230/460	365TC	NEWT	93.6	184-166/83	33.5	857	8,9,10,12	PE365TC-75-2	M2	\$5,341.11
		208-230/460	365TSC	NEWT	93.6	184-166/83	31.4	857	8,9,10,12	PE365TSC-75-2	M2	\$5,341.05
	1800	208-230/460	365TC	NEPE	95.4	193-174/87	33.5	881	8,9,10,12	PE365TC-75-4	M2	\$5,961.82
		208-230/460	365TSC	NEPE	95.4	193-174/87	31.4	881	8,9,10,12	PE365TSC-75-4	M2	\$5,961.82
1200	208-230/460	405TC	NEPE	94.5	193 - 174 / 87	38	1126	8,9,10,12,13,15,18	PE405TC-75-6	M2	\$7,910.86	

**\* Notes:**

- 8. NEMA Premium® (NEMA MG-1, Table 12-12)
- 9. Inverter Duty (20:1 Variable Torque; 10:1 Constant Torque)
- 10. 12-lead part wind start at 208-230V
- 11. 6-lead part wind start at 460V
- 12. Ball bearing on drive end

- 13. Insulated bearing on opposite drive end
- 15. Inverter Rated (10:1 Variable Torque; 5:1 Constant Torque)
- 18. D-Flange conversion kits (see pg. 63)
- 26. Suitable for part wind start at 208-230V

Performance Data on p. 74-75  
 Dimensions on p. 108-110  
 Warranty on p. 145



Phases and HP: 3-Phase, 1–300 HP

Inverter duty: (20:1 VT; 10:1 CT)

Enclosure: Totally enclosed fan cooled (TEFC)

Frame: 143TC–449TC



GENERAL PURPOSE MOTORS

SPECIAL PURPOSE MOTORS

ACCESSORIES

APPENDIX

## General Purpose — C-Flange w/Feet — Heavy Duty Cast Iron

HP	RPM	Volts	Frame	Flange	Full Load % Efficiency	Full Load Amps	“C” Dim (in.)	Weight (lbs.)	Notes *	Model Number	Mult. Symbol	List Price
100	3600	208-230/460	405TC	NEWT	94.1	248-224/112	38	1148	8,9,10,12	PE405TC-100-2	M2	\$8,281.69
		208-230/460	405TSC	NEWT	94.1	248-224/112	35	1148	8,9,10,12	PE405TSC-100-2	M2	\$8,281.69
	1800	208-230/460	405TC	NEPE	95.4	248-224/112	38	1228	8,9,10,12	PE405TC-100-4	M2	\$7,796.23
		208-230/460	405TSC	NEPE	95.4	248-224/112	35	1228	8,9,10,12	PE405TSC-100-4	M2	\$7,796.23
	1200	208-230/460	444TC	NEPE	95.0	250 - 232 / 116	44.3	1416	8,9,10,12,13,15,18	PE444TC-100-6	M2	\$10,548.37
125	3600	460	444TSC	NEWT	95.0	140	40.6	1383	8,9,11,12	PE444TSC-125-2	M2	\$10,230.71
		460	444TC	NEPE	95.4	145	44.3	1523	8,9,11,12	PE444TC-125-4	M2	\$10,299.65
	1800	460	444TC	NEPE	95.4	145	44.3	1523	8,9,11,12,13	PE444TC-125-4-IN	M2	\$12,768.85
		460	444TSC	NEPE	95.4	145	40.6	1523	8,9,11,12,13	PE444TSC-125-4	M2	\$10,299.65
	1200	460	445TC	NEPE	95.0	147	44.3	1614	8,9,10,12,13,15,18	PE445TC-125-6	M2	\$11,235.77
150	3600	460	445TSC	NEPE	95.0	166	40.6	1511	8,9,11,12,13	PE445TSC-150-2	M2	\$12,574.03
		460	445TC	NEPE	95.8	171	44.3	1735	8,9,11,12	PE445TC-150-4	M2	\$12,399.05
	1800	460	445TC	NEPE	95.8	171	44.3	1735	8,9,11,12,13	PE445TC-150-4-IN	M2	\$14,299.79
		460	445TSC	NEPE	95.8	171	40.6	1735	8,9,11,12	PE445TSC-150-4	M2	\$12,399.05
	1200	460	447TC	NEPE	95.8	173	47.8	1878	8,9,10,12,13,15,18	PE447TC-150-6	M2	\$13,613.26
200	3600	460	447TSC	NEPE	95.4	222	44.1	1813	8,9,11,12	PE447TSC-200-2	M2	\$15,774.60
		460	447TC	NEPE	96.2	220	47.8	1942	9,11,12,15	PE447TC-200-4	M2	\$14,467.74
	1800	460	447TC	NEPE	96.2	220	47.8	1942	8,9,11,12,13	PE447TC-200-4-IN	M2	\$16,368.43
		460	447TSC	NEPE	96.2	220	44.1	1918	8,9,11,12	PE447TSC-200-4	M2	\$14,467.74
	1200	460	449TC	NEPE	95.8	230	52.8	2203	8,9,10,12,13,15,18	PE449TC-200-6	M2	\$15,563.82
250	3600	460	449TSC	NEPE	95.8	266	49.1	2006	8,9,11,12	PE449TSC-250-2	M2	\$15,148.85
		460	449TC	NEPE	96.2	275	52.8	2116	9,11,12,15	PE449TC-250-4	M2	\$13,322.06
	1800	460	449TC	NEPE	96.2	275	52.8	2116	8,9,11,12,13	PE449TC-250-4-IN	M2	\$14,921.35
		460	449TSC	NEPE	95.8	280	52.8	2439	8,9,10,12,13,15,18	PE449TC-250-6	M2	\$16,353.96
300	3600	460	449TSC	NEPE	95.8	320	49.1	2139	8,9,11,12	PE449TSC-300-2	M2	\$17,793.92
		460	449TC	NEPE	96.2	330	52.8	2248	8,9,11,12	PE449TC-300-4	M2	\$18,145.59
	1800	460	449TC	NEPE	96.2	330	52.8	2248	8,9,11,12,13	PE449TC-300-4-IN	M2	\$20,223.26
		460	449TSC	NEPE	95.8	357	52.8	2736	8,9,10,12,13,15,18	PE449TC-300-6	M2	\$19,523.73

**\* Notes:**

- 8. NEMA Premium® (NEMA MG-1, Table 12-12)
- 9. Inverter Duty (20:1 Variable Torque; 10:1 Constant Torque)
- 10. 12-lead part wind start at 208-230V
- 11. 6-lead part wind start at 460V
- 12. Ball bearing on drive end
- 13. Insulated bearing on opposite drive end
- 15. Inverter Rated (10:1 Variable Torque; 5:1 Constant Torque)
- 18. D-Flange conversion kits (see pg. 63)

Performance Data on p. 74-75  
 Dimensions on p. 108-110  
 Warranty on p. 145



**Phases and HP:** 3-Phase, 1–30 HP  
**Enclosure:** Totally enclosed fan cooled (TEFC)  
**Frame:** 143TC–449TC

**Inverter duty:** (20:1 VT; 10:1 CT)



# General Purpose C-Flange/Round Body Heavy Duty Cast Iron

UP TO  
**30 HP IN STOCK!**



## Standard Features/Specifications

### Performance and convenience

- Service factor: 1.15 @ 60 Hz; 1.0 @ 50 Hz
- NEMA Design B Performance/ High starting torque
- F1/ F2 reversible
- Lifting provision

### Reliability

- Sealed bearings through 215T frame, regreasable open bearings on 254T frame and above
- 3-year warranty (extended warranty available)

### Protection

- Class F insulation system; Class B rise at full load; Class H vacuum pressure impregnation (VPI) resin for all windings
- Corrosion-resistant epoxy paint and stainless steel nameplate and zinc plated hardware
- IP55 protection
- Condensation drain with plugs

### Ratings

- NEMA MG- 1, Part 31, Table 12-12
- Class I, Div. II, Groups A, B, C, D, T2B; Class II, Div. II, Groups F, G
- 40° C ambient continuous duty
- Dual voltage ratings suitable for part wind start on lower voltage
- Windings rated for 2200V peak voltage spikes

### Applications

- Pumps
- Fans
- Blowers
- Compressors
- Conveyors
- Material handling equipment
- Other industrial machinery
- Damp, dusty or dirty environments
- Suitable for use with variable frequency drives

HP	RPM	Volts	Frame	Flange	Full Load % Efficiency	Full Load Amps	"C" Dim (in.)	Weight (lbs.)	Notes *	Model Number	Mult. Symbol	List Price
1	1800	208-230/460	143TC		86.5	3.3-3/1.5	14.2	65	12	PE143TC-1-4-RB-AI	M2	\$424.24
1.5	1800	208-230/460	145TC		89.5	4.9-4.4/2.2	14.2	68	12	PE145TC-1.5-4-RB-AI	M2	\$442.83
2	1800	208-230/460	145TC		89.5	6.2-5.6/2.8	14.2	66	12	PE145TC-2-4-RB-AI	M2	\$470.43
3	1800	208-230/460	182TC		91.0	8.8-8/4	16.8	101	12	PE182TC-3-4-RB-AI	M2	\$788.70
5	1800	208-230/460	184TC		93.6	13.9-12.6/6.3	16.8	112	12	PE184TC-5-4-RB-AI	M2	\$820.88
7.5	1800	208-230/460	213TC		94.1	19.9-18/9	20.7	189	12	PE213TC-7.5-4-RB-AI	M2	\$1,139.15
10	1800	208-230/460	215TC		94.1	26.5-24/12	20.7	196	12	PE215TC-10-4-RB-AI	M2	\$1,226.76
15	1800	208-230/460	254TC		95.4	39.8-36/18	25.7	328	12	PE254TC-15-4-RB-AI	M2	\$1,747.96
20	1800	208-230/460	256TC		95.0	53.1-48/24	25.7	350	12	PE256TC-20-4-RB-AI	M2	\$1,969.32
25	1800	208-230/460	284TC		96.2	63-57/28.5	28.8	462	12	PE284TC-25-4-RB-AI	M2	\$2,421.84
30	1800	208-230/460	286TC		95.8	75.2-68/34	28.8	484	12	PE286TC-30-4-RB-AI	M2	\$2,673.45

\* Notes:  
12. Ball bearing on drive end

Performance Data on p. 76  
 Dimensions on p. 111  
 Warranty on p. 145



**Phases and HP:** 3-Phase, 1–300 HP  
**Enclosure:** Open drip proof (ODP)  
**Frame:** 143T–449T

**Inverter duty:** (20:1 VT; 10:1 CT)  
**Rolled Steel–Design B:** 1–20HP  
**Cast Iron:** 15–300 HP



GENERAL PURPOSE MOTORS

SPECIAL PURPOSE MOTORS

ACCESSORIES

APPENDIX

# General Purpose

## Open Drip Proof Heavy Duty Cast Iron

UP TO  
300 HP IN  
STOCK!



1–20 HP



20–300 HP

## Standard Features/Specifications

### Performance and convenience

- Service factor: 1.25 @ 60 Hz; 1.0 @ 50 Hz; Suitable for 575V @ 1.0
- NEMA Design B Performance/ High starting torque
- F1/F2 reversible from 254T-365T and 444T-449T
- Dual-drilled feet for mounting flexibility
- Lifting provisions on 182T frame and above

### Reliability

- Sealed bearings
- 3-year warranty (extended warranty available)

### Protection

- Class F insulation system; Class B rise at full load; Class H vacuum pressure impregnation (VPI) resin for all windings
- Heavy duty cast iron housing or rolled steel with corrosion-resistant epoxy paint, stainless steel nameplate and zinc plated hardware
- IP23 protection
- Condensation drain with plugs

### Ratings

- NEMA MG- 1, Part 31, Table 12-12
- 40° C ambient continuous duty
- Dual voltage ratings suitable for part wind start on lower voltage
- Windings rated for 2200V peak voltage spikes

### Applications

- Pumps
- Fans
- Blowers
- Compressors
- Conveyors
- Material handling equipment
- Other industrial machinery
- Suitable for use in relatively clean, industrial environments
- Suitable for use with variable frequency drives

### Options

- C-Flange Field Conversion Kits Available<sup>5</sup>
- BPK Shaft grounding kits available upon request. See page 65

HP	RPM	Volts	Frame	Flange	Full Load % Efficiency	Full Load Amps	"C" Dim (in.)	Weight (lbs.)	Notes *	Model Number	Mult. Symbol	List Price
1	1800	208-230/460	143T	ODPW	85.5	3.5-3.2/1.6	11.2	37	5,8,9,12,26	PE143T-1-4-ODP	M2	\$348.69
1.5	3600	208-230/460	143T	ODPW	84.0	4.4-4/2	11.2	35	5,8,9,12,26	PE143T-1.5-2-ODP	M2	\$294.16
	1800	208-230/460	145T	ODPW	86.5	5.1-4.6/2.3	12	42	5,8,9,12,26	PE145T-1.5-4-ODP	M2	\$375.19
2	3600	208-230/460	145T	ODPW	85.5	5.7-5.2/2.6	12	37	5,8,9,12,26	PE145T-2-2-ODP	M2	\$318.61
	1800	208-230/460	145T	ODPW	86.5	6.6-6/3	12	43	5,8,9,12,26	PE145T-2-4-ODP	M2	\$385.98
3	3600	208-230/460	145T	ODPW	85.5	8.1-7.4/3.7	12	43	5,8,9,12,26	PE145T-3-2-ODP	M2	\$392.15
	1800	208-230/460	182T	ODPW	89.5	9-8.2/4.1	14.1	82	5,8,9,12,26	PE182T-3-4-ODP	M2	\$572.28
5	3600	208-230/460	182T	ODPW	86.5	13.6-12.4/6.2	14.1	82	5,8,9,12,26	PE182T-5-2-ODP	M2	\$622.60
	1800	208-230/460	184T	ODPW	89.5	14.7-13.4/6.7	14.9	98	5,8,9,12,26	PE184T-5-4-ODP	M2	\$672.37
7.5	3600	208-230/460	184T	ODPW	88.5	19.4-17.6/8.8	14.9	98	5,8,9,12,26	PE184T-7.5-2-ODP	M2	\$718.30
	1800	208-230/460	213T	ODPW	91.0	21.1-19.2/9.6	16.5	138	5,8,9,10,12	PE213T-7.5-4-ODP	M2	\$996.15
10	3600	208-230/460	213T	ODPW	89.5	28.2-25.6/12.8	16.5	135	8,9,10,12,20	PE213T-10-2-ODP	M2	\$1,019.00
	1800	208-230/460	215T	ODPW	91.7	28.6-26/13	17.5	154	8,9,10,12,20	PE215T-10-4-ODP	M2	\$1,106.52
15	3600	208-230/460	215T	ODPW	90.2	41.8-38/19	17.5	156	8,9,10,12,20	PE215T-15-2-ODP	M2	\$1,372.48
	1800	208-230/460	254T	ODPW	93.0	40-36/18	22.2	275	8,9,10,12,20	PE254T-15-4-ODP	M2	\$1,643.65
20	3600	208-230/460	254T	ODPW	91.0	51-46/23	22.2	264	8,9,10,12,20	PE254T-20-2-ODP	M2	\$1,791.60
	1800	208-230/460	256T	ODPW	93.0	53-48/24	22.2	304	8,9,10,12,20	PE256T-20-4-ODP	M2	\$1,892.65

\* Notes:

- 5. C-Flange Conversion Kits (see pg. 56-57)
- 8. NEMA Premium® (NEMA MG-1, Table 12-12)
- 9. Inverter Duty (20:1 Variable Torque; 10:1 Constant Torque)
- 12. Ball bearing on drive end
- 19. Roller Bearing on Drive End
- 20. Dual drilled feet for mounting flexibility
- 26. Suitable for part wind start at 208-230V

Performance Data on p. 77

- Dimensions on p. 112-114
- Warranty on p. 145



Phases and HP: 3-Phase, 1–300 HP  
 Enclosure: Open drip proof (ODP)  
 Frame: 143T–449T

Inverter duty: (20:1 VT; 10:1 CT)  
 Rolled Steel–Design B: 1–20HP  
 Cast Iron: 15–300 HP



# General Purpose — Open Drip Proof — Heavy Duty Cast Iron

HP	RPM	Volts	Frame	Flange	Full Load % Efficiency	Full Load Amps	“C” Dim (in.)	Weight (lbs.)	Notes *	Model Number	Mult. Symbol	List Price
25	3600	208-230/460	256T	ODPW	91.7	63-57/28.5	22.2	282	5,8,9,10,12	PE256T-25-2-ODP	M2	\$1,910.18
	1800	208-230/460	284T	ODPW	93.6	66-60/30	24.8	378	5,8,9,10,12	PE284T-25-4-ODP	M2	\$2,208.52
30	3600	208-230/460	284TS	ODPW	91.7	77-70/35	23.4	374	5,8,9,10,12	PE284TS-30-2-ODP	M2	\$2,372.34
	1800	208-230/460	286T	ODPW	94.1	77-70/35	24.8	403	5,8,9,10,12	PE286T-30-4-ODP	M2	\$2,511.22
40	3600	208-230/460	286TS	ODPW	92.4	99-90/45	23.4	414	5,8,9,10,12	PE286TS-40-2-ODP	M2	\$2,557.27
	1800	208-230/460	324T	ODPW	94.1	106-96/48	27.1	521	5,8,9,10,12	PE324T-40-4-ODP	M2	\$3,127.10
		208-230/460	324TS	ODPW	94.1	106-96/48	25.6	521	5,8,9,10,12	PE324TS-40-4-ODP	M2	\$3,127.10
50	3600	208-230/460	324TS	ODPW	93.0	122-110/55	25.6	508	5,8,9,10,12	PE324TS-50-2-ODP	M2	\$3,194.47
	1800	208-230/460	326T	ODPW	94.5	130-118/59	27.1	569	5,8,9,10,12	PE326T-50-4-ODP	M2	\$3,325.43
		208-230/460	326TS	ODPW	94.5	130-118/59	25.6	569	5,8,9,10,12	PE326TS-50-4-ODP	M2	\$3,325.43
60	3600	208-230/460	326TS	ODPW	93.6	146-132/66	25.6	554	5,8,9,10,12	PE326TS-60-2-ODP	M2	\$3,820.36
	1800	208-230/460	364T	ODPW	95.0	155-140/70	29.3	726	5,8,9,10,12	PE364T-60-4-ODP	M2	\$4,563.00
		208-230/460	364TS	ODPW	95.0	155-140/70	27.2	726	5,8,9,10,12	PE364TS-60-4-ODP	M2	\$4,563.00
75	3600	208-230/460	364TS	ODPW	93.6	184-166/83	27.2	734	5,8,9,10,12	PE364TS-75-2-ODP	M2	\$4,502.04
	1800	208-230/460	365T	ODPW	95.0	191-174/87	29.3	754	5,8,9,10,12	PE365T-75-4-ODP	M2	\$5,014.21
		208-230/460	365TS	ODPW	95.0	191-174/87	27.2	754	5,8,9,10,12	PE365TS-75-4-ODP	M2	\$5,014.21
100	3600	208-230/460	365TS	ODPW	93.6	245-222/111	27.2	737	5,8,9,10,12	PE365TS-100-2-ODP	M2	\$5,014.21
	1800	208-230/460	404T	ODPW	95.4	246-224/112	33.3	1115	5,8,9,10,12	PE404T-100-4-BB-ODP	M2	\$6,274.48
		208-230/460	404TS	ODPW	95.4	246-224/112	30.3	1115	5,8,9,10,12	PE404TS-100-4-ODP	M2	\$6,604.72
125	3600	460	404TS	ODPW	94.1	138	30.3	1003	5,8,9,11,12	PE404TS-125-2-ODP	M2	\$6,446.91
	1800	460	405T	ODPW	95.4	141	33.3	1179	5,8,9,11,12	PE405T-125-4-BB-ODP	M2	\$7,542.22
		460	405T	ODPW	95.4	141	33.3	1179	5,8,9,11,19	PE405T-125-4-ODP	M2	\$7,542.22
		460	405TS	ODPW	95.4	141	30.3	1177	5,8,9,11,12	PE405TS-125-4-ODP	M2	\$7,542.22
150	3600	460	405TS	ODPW	94.1	166	30.3	1076	5,8,9,11,12	PE405TS-150-2-ODP	M2	\$8,118.24
	1800	460	444T	ODPW	95.8	167	39.5	1702	5,8,9,11,12	PE444T-150-4-BB-ODP	M2	\$10,675.42
		460	444T	ODPW	95.8	167	39.5	1702	5,8,9,11,19	PE444T-150-4-ODP	M2	\$10,675.42
		460	444TS	ODPW	95.8	167	34.8	1702	5,8,9,11,12	PE444TS-150-4-ODP	M2	\$10,675.42
200	3600	460	444TS	ODPW	95.0	219	34.8	1519	5,8,9,11,12	PE444TS-200-2-ODP	M2	\$10,983.46
	1800	460	445T	ODPW	95.8	220	39.5	1790	5,8,9,11,12	PE445T-200-4-BB-ODP	M2	\$11,745.52
		460	445T	ODPW	95.8	220	39.5	1790	5,8,9,11,19	PE445T-200-4-ODP	M2	\$11,745.52
		460	445TS	ODPW	95.8	220	34.8	1790	5,8,9,11,12	PE445TS-200-4-ODP	M2	\$11,745.52
250	3600	460	445TS	ODPW	95.0	270	34.8	1603	5,8,9,11,12	PE445TS-250-2-ODP	M2	\$10,447.28
	1800	460	447T	ODPW	95.8	280	43	1930	5,8,9,11,19	PE447T-250-4-ODP	M2	\$11,233.68
300	3600	460	447TS	ODPW	95.4	322	38.3	1759	5,8,9,11,12	PE447TS-300-2-ODP	M2	\$12,858.20
	1800	460	449T	ODPW	95.8	335	48	2218	5,8,9,11,19	PE449T-300-4-ODP	M2	\$14,626.21

**\* Notes:**

- 5. C-Flange Conversion Kits (see pg. 56-57)
- 8. NEMA Premium® (NEMA MG-1, Table 12-12)
- 9. Inverter Duty (20:1 Variable Torque; 10:1 Constant Torque)
- 10. 12-lead part wind start at 208-230V12. Ball bearing on drive end

- 19. Roller Bearing on Drive End
- 20. Dual drilled feet for mounting flexibility

Performance Data on p. 77  
 Dimensions on p. 112-114  
 Warranty on p. 145



**Phases and HP:** Single Phase, 3–5 HP

**Enclosure:** Open drip proof (ODP)

**Frame:** 56H–184T



GENERAL PURPOSE MOTORS

SPECIAL PURPOSE MOTORS

ACCESSORIES

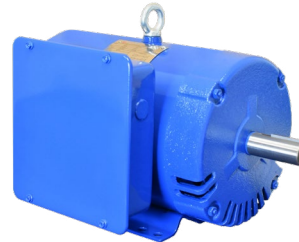
APPENDIX

# Special Purpose

## Compressor Duty

### Rolled Steel

UP TO  
**5 HP IN STOCK!**



182T–184T



56H

## Standard Features/Specifications

### Performance and convenience

- Service factor: 1.15 @ 60 Hz
- NEMA Design L Performance/ High starting torque
- Dual-drilled feet for mounting flexibility
- Capacitor start/ capacitor run design

### Reliability

- Sealed bearings
- 2-year warranty

### Protection

- Class F insulation system; Class B rise at full load; Class H vacuum pressure impregnation (VPI) resin for all windings
- Corrosion-resistant epoxy paint, stainless steel nameplate and zinc plated hardware and cast iron endbells
- IP22 protection

### Ratings

- NEMA Design L Performance; High starting torque
- 40° C ambient continuous duty

### Applications

- Pumps
- Fans
- Conveyors
- Blowers
- Air compressors
- Refrigeration equipment
- Industrial equipment
- Milling machines
- Tools
- Farm equipment
- Aeration equipment
- Other general purpose applications where contaminants are minimal

HP	RPM	Volts	Frame	Flange	Full Load % Efficiency	Full Load Amps	"C" Dim (in.)	Weight (lbs.)	Notes *	Model Number	Mult. Symbol	List Price
3	1800	208-230	182T	--	84.9	12.2-11.5	15.8	78	--	<b>D182T3S4C</b>	<b>M1</b>	<b>\$545.09</b>
		208-230	56H	--	86.5	20.94-18.94	13.4	56	--	<b>D56H5S2C-MO</b>	<b>M1</b>	<b>\$497.68</b>
5	3600	208-230	56HZ	--	86.5	20.94-18.94	13.4	56	--	<b>D56HZ5S2C-MO</b>	<b>M1</b>	<b>\$497.68</b>
		208-230	184T	--	83.4	23-19.3	15.8	96	--	<b>D184T5S4C</b>	<b>M1</b>	<b>\$767.61</b>

Performance Data on p. 78  
Dimensions on p. 115  
Warranty on p. 145



**Phases and HP:** 3-Phase, 1–600 HP  
**Enclosure:** Totally enclosed fan cooled (TEFC)  
**Frame:** 143T–586/7UZ

**Inverter duty:** 1–300 HP  
 (20:1 VT; 10:1 CT)  
**Inverter rated:** 250–600 HP  
 (10:1 VT; 5:1 CT)



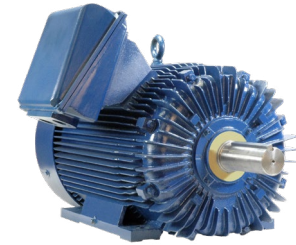
# Crusher Duty

## Design C

### Heavy Duty Cast Iron



1–300 HP



250–600 HP

## Standard Features/Specifications

### Performance and convenience

- Service factor: 1.15 @ 60 Hz; 1.0 @ 50 Hz; Suitable for 575V @ 1.0
- NEMA Design C Performance/ High starting torque
- F1/F2 reversible through 449T frame
- Dual-drilled feet for mounting flexibility
- Lifting provisions

### Reliability

- Sealed bearings
- 3-year warranty (extended warranty available)

### Protection

- Class F insulation system; Class B rise at full load; Class H vacuum pressure impregnation (VPI) resin for all windings
- Heavy duty cast iron housing with corrosion-resistant epoxy paint, stainless steel nameplate and zinc plated hardware
- IP55 protection
- Condensation drain with plugs

### Ratings

- NEMA Design C-High Torque; NEMA MG- 1, Part 31, Table 12-12 (unless otherwise noted)
- Class I, Div. II, Groups A, B, C, D, T2B; Class II, Div. II, Groups F, G
- 40° C ambient continuous duty
- Dual voltage ratings suitable for part wind start on lower voltage; Single voltage (460V) ratings are suitable for part wind start
- Windings rated for 2200V peak voltage spikes

### Applications

- Crushing and pulverizing equipment
- Other industrial machinery requiring extremely high starting torques and breakdown torques
- Suitable for use with variable frequency drives

### Options

- C-Flange & D-Flange Field Conversion Kits Available<sup>16</sup>
- BPK Shaft grounding kits available upon request. See page 65

HP	RPM	Volts	Frame	Flange	Full Load % Efficiency	Full Load Amps	“C” Dim (in.)	Weight (lbs.)	Notes *	Model Number	Mult. Symbol	List Price
1	900	208-230/460	182T	NEWT	75.5	4.2-3.8/1.9	15.1	67	9, 21, 22	PE182T-1-8C	M2	\$478.90
	1800	208-230/460	143T	NEWT	85.5	1.5	13.6	47	9, 8, 22	PE143T-1-4C	M2	\$362.60
	1200	208-230/460	145T	NEWT	82.5	1.8	14.6	60	9, 8, 22	PE145T-1-6C	M2	\$470.00
1.5	900	208-230/460	184T	NEWT	78.5	5.8-5.3/2.65	16.1	78	9, 21, 22	PE184T-1.5-8C	M2	\$554.23
	1800	208-230/460	145T	NEWT	86.5	2.2	14.6	50	9, 8, 22	PE145T-1.5-4C	M2	\$404.08
	1200	208-230/460	182T	NEWT	87.5	2.4	16.1	95	9, 8, 22	PE182T-1.5-6C	M2	\$659.10
2	900	208-230/460	213T	NEWT	84.0	7.5-6.8/3.4	18.9	132	9, 21, 22	PE213T-2-8C	M2	\$815.58
	1800	208-230/460	145T	NEWT	86.5	3.1	14.6	51	9, 8, 22	PE145T-2-4C	M2	\$423.41
	1200	208-230/460	184T	NEWT	88.5	3.2	17.1	94	9, 8, 22	PE184T-2-6C	M2	\$728.92
3	900	208-230/460	215T	NEWT	85.5	10.8-9.8/4.9	20.4	163	9, 21, 22	PE215T-3-8C	M2	\$1,083.23
	1800	208-230/460	182T	NEWT	89.5	3.9	16.1	87	9, 8, 22	PE182T-3-4C	M2	\$630.13
	1200	208-230/460	213T	NEPE	89.5	4.4	18.9	139	9, 8, 22	PE213T-3-6C	M2	\$933.68
5	900	208-230/460	254T	NEWT	86.5	17.5-15.8/7.9	23.2	218	9, 21, 22	PE254T-5-8C	M2	\$1,374.28
	1800	208-230/460	184T	NEWT	89.5	6.8	17.1	103	9, 8, 22	PE184T-5-4C	M2	\$753.41
	1200	208-230/460	215T	NEPE	89.5	7.4	20.4	180	9, 8, 22	PE215T-5-6C	M2	\$1,158.78

\* Notes:

- 8. NEMA Premium (MG-1, Table 12-12)
- 9. Inverter Duty (20:1 Variable Torque; 10:1 Constant Torque)
- 14. Equipped with terminal blocks as standard
- 15. Inverter Rated (10:1 Variable Torque; 5:1 Constant Torque)

- 16. C- and D- Flange conversion kits (see pg. 63)
- 21. EISA Compliant (MG-1, Part 31, Table 12-11)
- 22. Part wind start capable at 230V
- 23. Part wind start capable at 480V

Performance Data on p. 79

Dimensions on p. 116

Warranty on p. 145



**Phases and HP:** 3-Phase, 1–600 HP  
**Enclosure:** Totally enclosed fan cooled (TEFC)  
**Frame:** 143T–586/7UZ

**Inverter duty:** 1–300 HP  
 (20:1 VT; 10:1 CT)  
**Inverter rated:** 250–600 HP  
 (10:1 VT; 5:1 CT)



# Crusher Duty – Design C – Heavy Duty Cast Iron

GENERAL PURPOSE MOTORS

SPECIAL PURPOSE MOTORS

ACCESSORIES

APPENDIX

HP	RPM	Volts	Frame	Flange	Full Load % Efficiency	Full Load Amps	“C” Dim (in.)	Weight (lbs.)	Notes *	Model Number	Mult. Symbol	List Price
7.5	900	208-230/460	256T	NEWT	86.5	24.3-22/11	25	251	9,21,22	PE256T-7.5-8C	M2	\$1,644.33
	1800	208-230/460	213T	NEPE	91.7	9.2	18.9	162	8,9,22	PE213T-7.5-4C	M2	\$1,122.83
	1200	208-230/460	254T	NEPE	91.0	9.8	23.2	213	8,9,22	PE254T-7.5-6C	M2	\$1,690.30
10	900	208-230/460	284T	NEWT	89.5	32.2-29.2/14.6	26.6	306	9,21,22	PE284T-10-8C	M2	\$2,146.83
	1800	208-230/460	215T	NEPE	91.7	12	20.4	182	8,9,22	PE215T-10-4C	M2	\$1,249.32
	1200	208-230/460	256T	NEPE	91.0	12.8	25	270	8,9,22	PE256T-10-6C	M2	\$1,821.37
15	900	208-230/460	286T	NEWT	89.5	47-43/21.5	28.1	352	9,21,22	PE286T-15-8C	M2	\$2,525.27
	1800	208-230/460	254T	NEPE	92.4	19	23.2	256	8,9,22	PE254T-15-4C	M2	\$1,903.88
	1200	208-230/460	284T	NEWT	91.7	19	26.6	317	8,9,22	PE284T-15-6C	M2	\$2,270.75
20	900	208-230/460	324T	NEWT	90.2	61-56/28	29.8	491	9,21,22	PE324T-20-8C	M2	\$3,230.06
	1800	208-230/460	256T	NEPE	93.0	24.2	25	301	8,9,22	PE256T-20-4C	M2	\$2,142.85
	1200	208-230/460	286T	NEWT	91.7	25	28.1	351	9,24,22	PE286T-20-6C	M2	\$2,563.46
25	900	208-230/460	326T	NEWT	90.2	77-70/35	31.3	508	9,21,22	PE326T-25-8C	M2	\$3,509.10
	1800	208-230/460	284T	NEWT	93.6	30	26.6	364	8,9,22	PE284T-25-4C	M2	\$2,541.36
	1200	208-230/460	324T	NEWT	93.0	30.5	29.8	477	8,9,22	PE324T-25-6C	M2	\$3,303.67
30	900	208-230/460	364T	NEWT	91.7	88-80/40	32.5	671	9,21,22	PE364T-30-8C	M2	\$4,540.85
	1800	208-230/460	286T	NEWT	93.6	35.3	28.1	409	8,9,22	PE286T-30-4C	M2	\$2,746.99
	1200	208-230/460	326T	NEWT	93.0	35.9	31.3	517	8,9,22	PE326T-30-6C	M2	\$3,630.02
40	900	208-230/460	365T	NEWT	91.7	115-105/52.5	33.5	719	9,21,22	PE365T-40-8C	M2	\$4,981.10
	1800	208-230/460	324T	NEWT	94.1	46.6	29.8	513	8,9,22	PE324T-40-4C	M2	\$3,686.88
	1200	208-230/460	364T	NEPE	94.1	50	32.5	740	8,9,22	PE364T-40-6C	M2	\$5,073.50
50	900	208-230/460	404T	NEWT	92.4	139-126/63	36.5	902	9,21,22	PE404T-50-8C	M2	\$6,329.56
	1800	208-230/460	326T	NEWT	94.5	58.3	31.3	580	8,9,22	PE326T-50-4C	M2	\$4,013.23
	1200	208-230/460	365T	NEPE	94.1	62	33.5	753	8,9,22	PE365T-50-6C	M2	\$5,634.04
60	900	208-230/460	405T	NEWT	92.4	160-152/76	38	990	9,21,22	PE405T-60-8C	M2	\$7,763.26
	1800	208-230/460	364T	NEPE	95.0	69.5	32.5	744	8,9,22	PE364T-60-4C	M2	\$5,545.56
	1200	208-230/460	404T	NEPE	94.5	70	38	1096	8,9,22	PE404T-60-6C	M2	\$6,607.39
75	900	208-230/460	444T	NEWT	93.6	210-190/95	44.3	1353	9,21,22	PE444T-75-8C	M2	\$11,466.67
	1800	208-230/460	365T	NEPE	95.4	87	33.5	833	8,9,22	PE365T-75-4C	M2	\$6,135.47
	1200	208-230/460	405T	NEPE	94.5	87	38	1140	8,9,22	PE405T-75-6C	M2	\$8,141.29
100	900	208-230/460	445T	NEWT	93.6	276-250/125	44.3	1452	9,21,22	PE445T-100-8C	M2	\$12,902.00
	1800	208-230/460	405T	NEPE	95.4	112	40	1228	8,9,22	PE405T-100-4C	M2	\$8,834.20
	1200	208-230/460	444T	NEPE	95.0	118	44.3	1536	8,9,22	PE444T-100-6C	M2	\$10,855.64
125	900	460	447T	NEWT	94.1	158	47.8	1680	9,21,23	PE447T-125-8C	M2	\$15,686.49
	1800	460	444T	NEPE	95.4	145	44.3	1532	8,9,23	PE444T-125-4C	M2	\$10,599.67
	1200	460	445T	NEPE	95.0	150	44.3	1644	8,9,23	PE445T-125-6C	M2	\$11,563.00
150	900	460	449T	NEPE	94.1	180	52.8	1975	9,21,23	PE449T-150-8C	M2	\$15,315.47
	1800	460	445T	NEPE	95.8	173	44.3	1597	8,9,23	PE445T-150-4C	M2	\$12,760.24
	1200	460	447T	NEPE	95.8	177	47.8	1821	8,9,23	PE447T-150-6C	M2	\$14,009.80
200	1800	460	447T	NEPE	96.2	220	47.8	1850	8,9,23	PE447T-200-4C	M2	\$14,889.19
	1200	460	449T	NEPE	95.8	235	52.8	2175	8,9,23	PE449T-200-6C	M2	\$16,017.08
250	1800	460	449T	NEPE	95.0	283	52.8	2120	8,9,23	PE449T-250-4C	M2	\$13,500.51
		460	505UZ	NEPE	96.2	275	62.4	2300	9,21,23	PE505UZ-250-4C	M2	\$16,521.35
	1200	460	449T	NEPE	95.0	280	52.8	2323	8,9,23	PE449T-250-6C	M2	\$16,830.33
300	1800	460	505UZ	NEPE	95.8	280	62.4	2800	9,21,23	PE505UZ-250-6C	M2	\$19,668.16
		460	449T	NEPE	95.4	335	52.8	2220	8,9,23	PE449T-300-4C	M2	\$18,818.90
	1200	460	505UZ	NEPE	96.2	330	62.4	2600	9,21,23	PE505UZ-300-4C	M2	\$19,668.16
		460	449T	NEPE	95.0	357	52.8	2532	8,9,23	PE449T-300-6C	M2	\$20,065.74
		460	505UZ	NEPE	95.8	338	62.4	3160	9,21,23	PE505UZ-300-6C	M2	\$23,602.45
		460	587UZ	NC58	95.0	332	71.7	5330.6	9,21,23	PE587UZ-300-6C	M2	\$29,645.83

\* Notes:

- 8. NEMA Premium (MG-1, Table 12-12)
- 9. Inverter Duty (20:1 Variable Torque; 10:1 Constant Torque)
- 14. Equipped with terminal blocks as standard
- 15. Inverter Rated (10:1 Variable Torque; 5:1 Constant Torque)

- 16. C- and D- Flange conversion kits (see pg. 63)
- 21. EISA Compliant (MG-1, Part 31, Table 12-11)
- 22. Part wind start capable at 230V
- 23. Part wind start capable at 480V

Performance Data on p. 79  
 Dimensions on p. 116  
 Warranty on p. 145





**Phases and HP:** 3-Phase, 1–600 HP

**Enclosure:** Totally enclosed fan cooled (TEFC)

**Frame:** 143T–586/7UZ

**Inverter duty:** 1–300 HP

(20:1 VT; 10:1 CT)

**Inverter rated:** 250–600 HP  
(10:1 VT; 5:1 CT)



## Crusher Duty — Design C — Heavy Duty Cast Iron

HP	RPM	Volts	Frame	Flange	Full Load % Efficiency	Full Load Amps	“C” Dim (in.)	Weight (lbs.)	Notes *	Model Number	Mult. Symbol	List Price
350	1800	460	505UZ	NEPE	96.2	390	62.4	2900	9,21,23	PE505UZ-350-4C	M2	\$23,222.13
		460	587UZ	NC58	96.2	378.5	71.7	4846.6	8,14,15,16	PE587UZ-350-4C	M2	\$27,629.58
	1200	460	505UZ	NEPE	95.8	393	62.4	3440	9,21,23	PE505UZ-350-6C	M2	\$27,142.99
		460	587UZ	NC58	95.8	390.4	71.7	5176	8,14,15,16	PE587UZ-350-6C	M2	\$32,415.17
400	1800	460	587UZ	NC58	96.2	434.9	71.7	4983	8,14,15,16	PE587UZ-400-4C	M2	\$30,402.92
	1200	460	587UZ	NC58	95.8	448.6	71.7	5940	8,14,15,16	PE587UZ-400-6C	M2	\$35,937.59
450	1800	460	587UZ	NC58	96.2	487.2	71.7	5370	8,14,15,16	PE587UZ-450-4C	M2	\$34,562.90
	1200	460	587UZ	NC58	96.2	504.7	71.7	6041.2	8,14,15,16	PE587UZ-450-6C	M2	\$38,906.19
500	1800	460	587UZ	NC58	96.2	558.1	71.7	5687	8,14,15,16	PE587UZ-500-4C	M2	\$37,256.54
	1200	460	587UZ	NC58	95.8	563.1	71.7	6190.8	8,14,15,16	PE587UZ-500-6C	M2	\$42,795.21
600	1800	460	587UZ	NC58	96.2	669.6	71.7	5946.6	8,14,15,16	PE587UZ-600-4C	M2	\$51,877.39

**\* Notes:**

- 8. NEMA Premium (MG-1, Table 12-12)
- 9. Inverter Duty (20:1 Variable Torque; 10:1 Constant Torque)
- 14. Equipped with terminal blocks as standard
- 15. Inverter Rated (10:1 Variable Torque; 5:1 Constant Torque)

- 16. C- and D- Flange conversion kits (see pg. 63)
- 21. EISA Compliant (MG-1, Part 31, Table 12-11)
- 22. Part wind start capable at 230V
- 23. Part wind start capable at 480V

Performance Data on p. 79

Dimensions on p. 116

Warranty on p. 145



**Phases and HP:** 3-Phase, 1–300 HP  
**Enclosure:** Totally enclosed fan cooled (TEFC)  
**Frame:** 143TC–449TC

**Inverter duty:** 1–300 HP  
 (20:1 VT; 10:1 CT)



GENERAL PURPOSE MOTORS

SPECIAL PURPOSE MOTORS

ACCESSORIES

APPENDIX

# Crusher Duty

## Design C

### C-Flange w/Feet

### Heavy Duty Cast Iron

UP TO  
**300 HP IN STOCK!**



## Standard Features/Specifications

### Performance and convenience

- Service factor: 1.15 @ 60 Hz; 1.0 @ 50 Hz
- NEMA Design C Performance/ High starting torque
- F1/F2 reversible
- Dual-drilled feet for mounting flexibility
- Lifting provision

### Reliability

- Sealed bearings
- 3-year warranty (extended warranty available)

### Protection

- Class F insulation system; Class B rise at full load; Class H vacuum pressure impregnation (VPI) resin for all windings
- Heavy duty cast iron housing with corrosion-resistant epoxy paint, stainless steel nameplate and zinc plated hardware
- IP55 protection
- Condensation drain with plugs

### Ratings

- NEMA Design C-High Torque; NEMA MG- 1, Part 31, Table 12-12 (unless otherwise noted)
- Class I, Div. II, Groups A, B, C, D, T2B; Class II, Div. II, Groups F, G
- 40° C ambient continuous duty
- Dual voltage ratings suitable for part wind start on lower voltage; Single voltage (460V) ratings are suitable for part wind start
- Windings rated for 2200V peak voltage spikes

### Applications

- Crushing and pulverizing equipment
- Other industrial machinery requiring extremely high starting torques and breakdown torques
- Suitable for use with variable frequency drives

### Options

- C-Flange & D-Flange Field Conversion Kits Available<sup>18</sup>

HP	RPM	Volts	Frame	Flange	Full Load % Efficiency	Full Load Amps	“C” Dim (in.)	Weight (lbs.)	Notes *	Model Number	Mult. Symbol	List Price
1	1800	208-230/460	143TC	NEWT	85.5	1.5	12.6	47	8,9,12,22	PE143TC-1-4C	M2	\$373.41
	1200	208-230/460	145TC	NEWT	82.5	1.8	14.6	60	8,9,12,22	PE145TC-1-6C	M2	\$484.11
1.5	1800	208-230/460	145TC	NEWT	86.5	2.2	14.6	50	8,9,12,22	PE145TC-1.5-4C	M2	\$416.21
	1200	208-230/460	182TC	NEWT	87.5	2.4	16.1	95	8,9,12,22	PE182TC-1.5-6C	M2	\$678.87
2	1800	208-230/460	145TC	NEWT	86.5	3.1	14.6	51	8,9,12,22	PE145TC-2-4C	M2	\$436.11
	1200	208-230/460	184TC	NEWT	88.5	3.2	17.1	94	8,9,12,22	PE184TC-2-6C	M2	\$750.77
3	1800	208-230/460	182TC	NEWT	89.5	3.9	16.1	87	8,9,12,22	PE182TC-3-4C	M2	\$649.07
	1200	208-230/460	213TC	NEPE	89.5	4.4	18.9	139	8,9,12,22	PE213TC-3-6C	M2	\$961.76
5	1800	208-230/460	184TC	NEWT	89.5	6.8	17.1	103	8,9,12,22	PE184TC-5-4C	M2	\$776.04
	1200	208-230/460	215TC	NEPE	89.5	7.4	20.4	180	8,9,12,22	PE215TC-5-6C	M2	\$1,193.55
7.5	1800	208-230/460	213TC	NEPE	91.7	9.2	18.9	162	8,9,12,22	PE213TC-7.5-4C	M2	\$1,156.57
	1200	208-230/460	254TC	NEPE	91.0	9.8	23.2	213	8,9,12,22	PE254TC-7.5-6C	M2	\$1,741.02
10	1800	208-230/460	215TC	NEWT	91.7	12	20.4	182	8,9,12,22	PE215TC-10-4C	M2	\$1,286.84
	1200	208-230/460	256TC	NEPE	91.0	12.8	25	270	8,9,12,22	PE256TC-10-6C	M2	\$1,876.00
15	1800	208-230/460	254TC	NEPE	92.4	19	23.2	256	8,9,12,22	PE254TC-15-4C	M2	\$1,961.04
	1200	208-230/460	284TC	NEWT	91.7	19	26.6	317	8,9,12,22	PE284TC-15-6C	M2	\$2,338.83

**\* Notes:**

- 8. NEMA Premium (MG-1, Table 12-12)
- 9. Inverter Duty (20:1 Variable Torque; 10:1 Constant Torque)
- 12. Ball bearing on drive end

- 18. D-Flange conversion kits (see pg. 63)
- 22. Part wind start capable at 230V
- 23. Part wind start capable at 480V

Performance Data on p. 81  
 Dimensions on p. 119-120  
 Warranty on p. 145



Phases and HP: 3-Phase, 1–300 HP  
 Enclosure: Totally enclosed fan cooled (TEFC)  
 Frame: 143TC–449TC

Inverter duty: 1–300 HP  
 (20:1 VT; 10:1 CT)



## Crusher Duty — Design C - C-Flange w/Feet — Heavy Duty Cast Iron

HP	RPM	Volts	Frame	Flange	Full Load % Efficiency	Full Load Amps	"C" Dim (in.)	Weight (lbs.)	Notes *	Model Number	Mult. Symbol	List Price
20	1800	208-230/460	256TC	NEPE	93.0	24.2	25	301	8,9,12,22	PE256TC-20-4C	M2	\$2,207.12
	1200	208-230/460	286TC	NEWT	91.7	25	28.1	351	8,9,12,22	PE286TC-20-6C	M2	\$2,640.36
25	1800	208-230/460	284TC	NEWT	93.6	30	26.6	364	8,9,12,22	PE284TC-25-4C	M2	\$2,617.64
	1200	208-230/460	324TC	NEWT	93.0	30.5	29.8	477	8,9,12,22	PE324TC-25-6C	M2	\$3,402.73
30	1800	208-230/460	286TC	NEWT	93.6	35.3	28.1	409	8,9,12,22	PE286TC-30-4C	M2	\$2,829.31
	1200	208-230/460	326TC	NEWT	93.0	35.9	31.3	517	8,9,12,22	PE326TC-30-6C	M2	\$3,739.05
40	1800	208-230/460	324TC	NEWT	94.1	46.6	29.8	513	8,9,12,22	PE324TC-40-4C	M2	\$3,797.38
	1200	208-230/460	364TC	NEPE	94.1	50	32.5	740	8,9,12,22	PE364TC-40-6C	M2	\$5,225.74
50	1800	208-230/460	326TC	NEWT	94.5	58.3	31.3	580	8,9,12,22	PE326TC-50-4C	M2	\$4,133.61
	1200	208-230/460	365TC	NEPE	94.1	62	33.5	753	8,9,12,22	PE365TC-50-6C	M2	\$5,802.96
60	1800	208-230/460	364TC	NEPE	95.0	69.5	32.5	744	8,9,12,22	PE364TC-60-4C	M2	\$5,711.95
	1200	208-230/460	404TC	NEPE	94.5	70	38	1096	8,9,12,22	PE404TC-60-6C	M2	\$6,805.69
75	1800	208-230/460	365TC	NEPE	95.4	87	33.5	833	8,9,12,22	PE365TC-75-4C	M2	\$6,319.53
	1200	208-230/460	405TC	NEPE	94.5	87	38	1140	8,9,12,22	PE405TC-75-6C	M2	\$8,385.50
100	1800	208-230/460	405TC	NEPE	95.4	112	38	1228	8,9,12,22	PE405TC-100-4C	M2	\$9,099.23
	1200	208-230/460	444TC	NEPE	95.0	118	44.3	1536	8,9,12,22	PE444TC-100-6C	M2	\$11,181.21
125	1800	460	444TC	NEPE	95.4	145	44.3	1532	8,9,12,23	PE444TC-125-4C	M2	\$10,917.56
	1200	460	445TC	NEPE	95.0	150	44.3	1644	8,9,12,23	PE445TC-125-6C	M2	\$11,909.85
150	1800	460	445TC	NEPE	95.8	173	44.3	1597	8,9,12,23	PE445TC-150-4C	M2	\$13,143.08
	1200	460	447TC	NEPE	95.8	177	47.8	1821	8,9,12,23	PE447TC-150-6C	M2	\$14,430.10
200	1800	460	447TC	NEPE	96.2	220	47.8	1850	8,9,12,23	PE447TC-200-4C	M2	\$15,335.88
	1200	460	449TC	NEPE	95.8	235	52.8	2175	8,9,12,23	PE449TC-200-6C	M2	\$16,497.55
250	1800	460	449TC	NEPE	95.0	283	52.8	2120	8,9,12,23	PE449TC-250-4C	M2	\$13,905.53
	1200	460	449TC	NEPE	95.0	280	52.8	2323	8,9,12,23	PE449TC-250-6C	M2	\$17,335.21
300	1800	460	449TC	NEPE	95.4	335	52.8	2220	8,9,12,23	PE449TC-300-4C	M2	\$19,383.57
	1200	460	449TC	NEPE	95.0	357	52.8	2532	8,9,12,23	PE449TC-300-6C	M2	\$20,667.73

**\* Notes:**

- 8. NEMA Premium (MG-1, Table 12-12)
- 9. Inverter Duty (20:1 Variable Torque; 10:1 Constant Torque)
- 12. Ball bearing on drive end

- 18. D-Flange conversion kits (see pg. 63)
- 22. Part wind start capable at 230V
- 23. Part wind start capable at 480V

Performance Data on p. 81  
 Dimensions on p. 119-120  
 Warranty on p. 145



**Phases and HP:** 3-Phase, .33-20 HP  
**Enclosure:** Totally enclosed fan cooled (TEFC)  
**Frame:** 56C-256TC

**Inverter duty:** (20:1 VT; 10:1 CT)



GENERAL PURPOSE MOTORS

SPECIAL PURPOSE MOTORS

ACCESSORIES

APPENDIX

# Washdown Duty

## C-Flange

## Round Conduit Box

## Stainless Steel

UP TO  
20 HP IN  
STOCK!



### Standard Features/Specifications

**Performance and convenience**

- Service factor: 1.15 @ 60 Hz, 1.0 @ 50 Hz
- NEMA Design B Performance/ High starting torque
- Round conduit box for easy cleaning
- Dual-drilled feet for mounting flexibility

**Reliability**

- Double sealed bearings in both ends
- 2-year warranty

**Protection**

- Class F insulation system; Class B rise at full load; Class H vacuum pressure impregnation (VPI) resin for all windings
- IP66 protection
- Condensation drains with plugs

**Ratings**

- NEMA MG-1, Table 12-12
- 40° C ambient continuous duty
- Dual voltage ratings suitable for part wind start on lower voltage
- Windings rated for 2200V peak voltage spikes
- .304 stainless steel shaft and body

**Applications**

- Food processing
- Pharmaceutical equipment
- Other environments requiring extreme cleanliness and frequent washdowns
- Chemical processing
- Poultry processing
- Meat Processing
- Dairy application
- Bakeries
- Snack Foods
- Bottling
- Extremely corrosive environments
- Suitable for use with variable frequency drives

HP	RPM	Volts	Frame	Flange	Full Load % Efficiency	Full Load Amps	"C" Dim (in.)	Weight (lbs.)	Notes *	Model Number	Mult. Symbol	List Price
0.33	3600	208-230/460	56C	--	74.0	1.3/0.65	11.59	26	24	SS56C1/3M-2-A	M7	\$479.94
	1800	208-230/460	56C	--	83.0	1.3/0.65	11.59	28	24	SS56C1/3M-4-A	M7	\$519.32
0.5	3600	208-230/460	56C	--	77.0	1.8/0.9	11.59	29	24	SS56C1/2M-2-A	M7	\$508.29
	1800	208-230/460	56C	--	83.0	1.8/0.9	11.59	29	24	SS56C1/2M-4-A	M7	\$530.42
	1200	208-230/460	56C	--	80.0	2.2/1.1	11.59	31	24	SS56C1/2M-6-A	M7	\$601.94
0.75	3600	208-230/460	56C	--	80.0	2.6/1.3	12.57	33	24	SS56C3/4M-2-A	M7	\$551.14
	1800	208-230/460	56C	--	83.0	2.7/1.35	12.57	33	24	SS56C3/4M-4-A	M7	\$553.43
	1200	208-230/460	56C	--	80.0	3.4/1.7	12.57	34	24	SS56C3/4M-6-A	M7	\$650.63
1	3600	208-230/460	56C	--	77.0	2.9 - 2.8 / 1.4	12.57	35	8	PESS56C1M-2-A	M7	\$760.19
	1800	208-230/460	143TC	--	86.0	3.1 - 3 / 1.5	13.81	37	8	PESS143TC1M-4-A	M7	\$814.20
		208-230/460	56C	--	86.0	3.1 - 3 / 1.5	12.57	36	8	PESS56C1M-4-A	M7	\$748.24
	1200	208-230/460	145TC	--	83.0	4 - 3.8 / 1.9	12.63	43	8	PESS145TC1M-6-A	M7	\$979.10
1.5	3600	208-230/460	143TC	--	84.0	4.2 - 4 / 2	13.81	40	8	PESS143TC1.5M-2-A	M7	\$792.60
		208-230/460	56C	--	84.0	4.2 - 4 / 2	12.57	39	8	PESS56C1.5M-2-A	M7	\$803.38
	1800	208-230/460	145TC	--	87.0	5 - 4.6 / 2.3	12.63	43	8	PESS145TC1.5M-4-A	M7	\$814.85
		208-230/460	56C	--	87.0	5 - 4.6 / 2.3	12.57	42	8	PESS56C1.5M-4-A	M7	\$815.94
1200	208-230/460	182TC	--	86.0	5.4 - 4.9 / 2.45	17	79	8	PESS182TC1.5M-6-A	M7	\$1,777.48	

\* Notes:  
8. NEMA Premium (MG-1, Table 12-12)

24. The Fractional HP motors on this page are not currently required to, and may not meet NEMA MG-1, Table 12-12 for NEMA Premium Efficiency®. These motors are in compliance with EISA regulations.

Performance Data on p. 82  
Dimensions on p. 121  
Warranty on p. 145



Phases and HP: 3-Phase, .33–20 HP

Inverter duty: (20:1 VT; 10:1 CT)

Enclosure: Totally enclosed fan cooled (TEFC)

Frame: 56C–256TC



# Washdown Duty — C-Flange — Round Conduit Box Stainless Steel

HP	RPM	Volts	Frame	Flange	Full Load % Efficiency	Full Load Amps	"C" Dim (in.)	Weight (lbs.)	Notes *	Model Number	Mult. Symbol	List Price
2	3600	208-230/460	145TC	--	86.0	4.9 - 4.8 / 2.4	13.81	46	8	PESS145TC2M-2-A	M7	\$849.48
		208-230/460	56C	--	86.0	4.9 - 4.8 / 2.4	13.75	45	8	PESS56C2M-2-A	M7	\$850.75
	1800	208-230/460	145TC	--	87.0	6.2 - 6 / 3	13.81	52	8	PESS145TC2M-4-A	M7	\$920.38
		208-230/460	56C	--	87.0	6.2 - 6 / 3	13.75	51	8	PESS56C2M-4-A	M7	\$920.38
	1200	208-230/460	184TC	--	87.0	6.6 - 6.1 / 3.05	17	95	8	PESS184TC2M-6-A	M7	\$1,930.39
3	3600	208-230/460	145TC	--	86.5	8.6 - 8.2 / 4.1	16.6	60	8	PESS145TC3M-2-A	M7	\$974.53
		208-230/460	182TC	--	87.0	8.8 - 8.1 / 4.05	17	77	8	PESS182TC3M-2-A	M7	\$1,987.97
	1800	208-230/460	182TC	--	90.0	8.4 - 8 / 4	17	78	8	PESS182TC3M-4-A	M7	\$1,930.39
		208-230/460	213TC	--	88.0	9.3 - 8.6 / 4.3	20.7	160	8	PESS213TC3M-6-A	M7	\$3,027.99
5	3600	208-230/460	184TC	--	89.0	12.6 - 12.2 / 6.1	17	95	8	PESS184TC5M-2-A	M7	\$2,163.69
	1800	208-230/460	184TC	--	90.0	13 - 12.5 / 6.25	17	99	8	PESS184TC5M-4-A	M7	\$2,244.66
	1200	208-230/460	215TC	--	88.0	14.5 - 13.6 / 6.8	21.5	197	8	PESS215TC5M-6-A	M7	\$3,543.11
7.5	3600	208-230/460	213TC	--	90.0	20.5 - 19 / 9.5	20.7	151	8	PESS213TC7.5M-2-A	M7	\$3,333.38
	1800	208-230/460	213TC	--	92.0	20 - 18.6 / 9.3	20.7	179	8	PESS213TC7.5M-4-A	M7	\$3,257.73
10	3600	208-230/460	215TC	--	90.0	26 - 24.4 / 12.2	20.7	166	8	PESS215TC10M-2-A	M7	\$3,513.76
	1800	208-230/460	215TC	--	92.0	26 - 24.4 / 12.2	21.5	210	8	PESS215TC10M-4-A	M7	\$3,571.91
15	3600	208-230/460	254TC	--	91.0	40 - 37 / 18.5	23.2	253	8	PESS254TC15M-2-A	M7	\$7,436.91
	1800	208-230/460	254TC	--	92.0	40 - 37 / 18.5	23.2	286	8	PESS254TC15M-4-A	M7	\$7,436.91
20	3600	208-230/460	256TC	--	91.0	50 - 46 / 23	24.8	286	8	PESS256TC20M-2-A	M7	\$8,096.61
	1800	208-230/460	256TC	--	93.0	53-49/24.5	24.8	352	8	PESS256TC20M-4-A	M7	\$7,556.88

\* Notes:

8. NEMA Premium (MG-1, Table 12-12)

24. The Fractional HP motors on this page are not currently required to, and may not meet NEMA MG-1, Table 12-12 for NEMA Premium Efficiency®. These motors are in compliance with EISA regulations.

Performance Data on p. 82

Dimensions on p. 121

Warranty on p. 145



**Phases and HP:** 3-Phase, .33-20 HP  
**Enclosure:** Totally enclosed fan cooled (TEFC)  
**Frame:** 56C-256TC

**Inverter duty:** (20:1 VT; 10:1 CT)



GENERAL PURPOSE MOTORS

SPECIAL PURPOSE MOTORS

ACCESSORIES

APPENDIX

# Washdown Duty

## C-Flange/Round Body

## Round Conduit Box

## Stainless Steel

UP TO  
20 HP IN  
STOCK!



### Standard Features/Specifications

**Performance and convenience**

- Service factor: 1.15 @ 60 Hz, 1.0 @ 50 Hz
- NEMA Design B Performance/ High starting torque
- Round conduit box for easy cleaning

**Reliability**

- Double sealed bearings in both ends
- 2-year warranty

**Protection**

- Class F insulation system; Class B rise at full load; Class H vacuum pressure impregnation (VPI) resin for all windings
- IP66 protection
- Condensation drains with plugs

**Ratings**

- NEMA MG-1, Table 12-12
- 40° C ambient continuous duty
- Dual voltage ratings suitable for part wind start on lower voltage
- Windings rated for 2200V peak voltage spikes
- .304 stainless steel shaft and body

**Applications**

- Food processing
- Pharmaceutical equipment
- Other environments requiring extreme cleanliness and frequent washdowns
- Chemical processing
- Poultry processing
- Meat Processing
- Dairy application
- Bakeries
- Snack Foods
- Bottling
- Extremely corrosive environments
- Suitable for use with variable frequency drives

HP	RPM	Volts	Frame	Flange	Full Load % Efficiency	Full Load Amps	"C" Dim (in.)	Weight (lbs.)	Notes *	Model Number	Mult. Symbol	List Price
0.33	3600	208-230/460	56C	--	74.0	1.3/0.65	11.59	26	24	SS56C1/3M-2-RB-A	M7	\$564.00
	1800	208-230/460	56C	--	83.0	1.3/0.65	11.59	28	24	SS56C1/3M-4-RB-A	M7	\$612.98
0.5	3600	208-230/460	56C	--	77.0	1.8/0.9	11.59	29	24	SS56C1/2M-2-RB-A	M7	\$599.38
	1800	208-230/460	56C	--	83.0	1.8/0.9	11.59	29	24	SS56C1/2M-4-RB-A	M7	\$629.35
	1200	208-230/460	56C	--	80.0	2.2/1.1	11.59	31	24	SS56C1/2M-6-RB-A	M7	\$712.25
0.75	3600	208-230/460	56C	--	80.0	2.6/1.3	12.57	33	24	SS56C3/4M-2-RB-A	M7	\$658.80
	1800	208-230/460	56C	--	83.0	2.7/1.35	12.57	33	24	SS56C3/4M-4-RB-A	M7	\$658.80
	1200	208-230/460	56C	--	80.0	3.4/1.7	12.57	34	24	SS56C3/4M-6-RB-A	M7	\$772.14
1	3600	208-230/460	56C	--	77.0	2.9 - 2.8 / 1.4	12.57	34	8	PESS56C1M-2-RB-A	M7	\$734.45
	1800	208-230/460	143TC	--	86.0	3.1 - 3 / 1.5	12.63	36	8	PESS143TC1M-4-RB-A	M7	\$781.17
		208-230/460	56C	--	86.0	3.1 - 3 / 1.5	12.57	35	8	PESS56C1M-4-RB-A	M7	\$722.36
	1200	208-230/460	145TC	--	83.0	4 - 3.8 / 1.9	12.63	42	8	PESS145TC1M-6-RB-A	M7	\$946.07
1.5	3600	208-230/460	143TC	--	84.0	4.2 - 4 / 2	12.63	39	8	PESS143TC1.5M-2-RB-A	M7	\$757.79
		208-230/460	56C	--	84.0	4.2 - 4 / 2	12.57	38	8	PESS56C1.5M-2-RB-A	M7	\$776.46
	1800	208-230/460	145TC	--	87.0	5 - 4.6 / 2.3	12.63	42	8	PESS145TC1.5M-4-RB-A	M7	\$788.98
		208-230/460	56C	--	87.0	5 - 4.6 / 2.3	12.57	41	8	PESS56C1.5M-4-RB-A	M7	\$788.98
1200	208-230/460	182TC	--	86.0	5.4 - 4.9 / 2.45	17	78	8	PESS182TC1.5M-6-RB-A	M7	\$1,709.78	

\* Notes:  
8. NEMA Premium (MG-1, Table 12-12)

24. The Fractional HP motors on this page are not currently required to, and may not meet NEMA MG-1, Table 12-12 for NEMA Premium Efficiency®. These motors are in compliance with EISA regulations.

Performance Data on p. 83  
Dimensions on p. 122  
Warranty on p. 145



Phases and HP: 3-Phase, .33–20 HP

Inverter duty: (20:1 VT; 10:1 CT)

Enclosure: Totally enclosed fan cooled (TEFC)

Frame: 56C–256TC



## Washdown Duty — C-Flange/Round Body Round Conduit Box — Stainless Steel

HP	RPM	Volts	Frame	Flange	Full Load % Efficiency	Full Load Amps	"C" Dim (in.)	Weight (lbs.)	Notes *	Model Number	Mult. Symbol	List Price
2	3600	208-230/460	145TC	--	86.0	4.9 - 4.8 / 2.4	13.81	45	8	PESS145TC2M-2-RB-A	M7	\$814.85
		208-230/460	56C	--	86.0	4.9 - 4.8 / 2.4	13.75	44	8	PESS56C2M-2-RB-A	M7	\$817.25
	1800	208-230/460	145TC	--	87.0	6.2 - 6 / 3	13.81	51	8	PESS145TC2M-4-RB-A	M7	\$886.18
		208-230/460	56C	--	87.0	6.2 - 6 / 3	13.75	50	8	PESS56C2M-4-RB-A	M7	\$886.18
3	3600	208-230/460	184TC	--	87.0	6.6 - 6.1 / 3.05	17	94	8	PESS184TC2M-6-RB-A	M7	\$1,862.64
		208-230/460	145TC	--	86.5	8.6 - 8.2 / 4.1	16.6	60	8	PESS145TC3M-2-RB-A	M7	\$940.33
	1800	208-230/460	182TC	--	87.0	8.8 - 8.1 / 4.05	17	76	8	PESS182TC3M-2-RB-A	M7	\$1,919.61
		208-230/460	182TC	--	90.0	8.4 - 8 / 4	17	77	8	PESS182TC3M-4-RB-A	M7	\$1,860.71
5	3600	208-230/460	213TC	--	88.0	9.3 - 8.6 / 4.3	20.7	159	8	PESS213TC3M-6-RB-A	M7	\$2,924.87
		208-230/460	184TC	--	89.0	12.6 - 12.2 / 6.1	17	94	8	PESS184TC5M-2-RB-A	M7	\$2,095.85
	1800	208-230/460	184TC	--	90.0	13 - 12.5 / 6.25	17	98	8	PESS184TC5M-4-RB-A	M7	\$2,178.70
		208-230/460	215TC	--	88.0	14.5 - 13.6 / 6.8	21.5	196	8	PESS215TC5M-6-RB-A	M7	\$3,444.27
7.5	3600	208-230/460	213TC	--	90.0	20.5 - 19 / 9.5	20.7	150	8	PESS213TC7.5M-2-RB-A	M7	\$3,230.11
	1800	208-230/460	213TC	--	92.0	20 - 18.6 / 9.3	20.7	178	8	PESS213TC7.5M-4-RB-A	M7	\$3,154.50
10	3600	208-230/460	215TC	--	90.0	26 - 24.4 / 12.2	20.7	165	8	PESS215TC10M-2-RB-A	M7	\$3,411.19
	1800	208-230/460	215TC	--	92.0	26 - 24.4 / 12.2	21.5	209	8	PESS215TC10M-4-RB-A	M7	\$3,468.83
15	3600	208-230/460	254TC	--	91.0	40 - 37 / 18.5	23.2	252	8	PESS254TC15M-2-RB-A	M7	\$7,107.02
	1800	208-230/460	254TC	--	92.0	40 - 37 / 18.5	23.2	285	8	PESS254TC15M-4-RB-A	M7	\$7,107.02
20	3600	208-230/460	256TC	--	91.0	50 - 46 / 23	24.8	285	8	PESS256TC20M-2-RB-A	M7	\$7,766.81
	1800	208-230/460	256TC	--	93.0	53-49/24.5	24.8	351	8	PESS256TC20M-4-RB-A	M7	\$7,766.81

\* Notes:

8. NEMA Premium (MG-1, Table 12-12)

24. The Fractional HP motors on this page are not currently required to, and may not meet NEMA MG-1, Table 12-12 for NEMA Premium Efficiency®. These motors are in compliance with EISA regulations.

Performance Data on p. 83

Dimensions on p. 122

Warranty on p. 145



**Phases and HP:** 3-Phase, .33-20 HP  
**Enclosure:** Totally enclosed fan cooled (TEFC)  
**Frame:** 56C-256TC

**Inverter duty:** (20:1 VT; 10:1 CT)



GENERAL PURPOSE MOTORS

SPECIAL PURPOSE MOTORS

ACCESSORIES

APPENDIX

# Washdown Duty

C-Flange

Round Conduit Box w/ Encapsulation  
 Stainless Steel



## Standard Features/Specifications

### Performance and convenience

- Service factor: 1.15 @ 60 Hz, 1.0 @ 50 Hz
- NEMA Design B Performance/ High starting torque
- Round conduit box for easy cleaning
- Encapsulated windings
- Dual-drilled feet for mounting flexibility

### Reliability

- Double sealed bearings in both ends
- 2-year warranty

### Protection

- Class F insulation system; Class B rise at full load; Class H vacuum pressure impregnation (VPI) resin for all windings
- IP66 protection
- Condensation drains with plugs

### Ratings

- NEMA MG-1, Table 12-12
- 40° C ambient continuous duty
- Dual voltage ratings suitable for part wind start on lower voltage
- Windings rated for 2200V peak voltage spikes
- .304 stainless steel shaft and body

### Applications

- Food processing
- Pharmaceutical equipment
- Other environments requiring extreme cleanliness and frequent washdowns
- Chemical processing
- Poultry processing
- Meat Processing
- Dairy application
- Bakeries
- Snack Foods
- Bottling
- Extremely corrosive environments
- Suitable for use with variable frequency drives

HP	RPM	Volts	Frame	Flange	Full Load % Efficiency	Full Load Amps	"C" Dim (in.)	Weight (lbs.)	Notes *	Model Number	Mult. Symbol	List Price
0.33	3600	208-230/460	56C	--	74.0	1.3/0.65	11.59	26	24	SS56C1/3M-2-B	M7	\$644.83
	1800	208-230/460	56C	--	83.0	1.3/0.65	11.59	28	24	SS56C1/3M-4-B	M7	\$684.21
0.5	3600	208-230/460	56C	--	77.0	1.8/0.9	11.59	29	24	SS56C1/2M-2-B	M7	\$673.18
	1800	208-230/460	56C	--	83.0	1.8/0.9	11.59	29	24	SS56C1/2M-4-B	M7	\$695.31
	1200	208-230/460	56C	--	80.0	2.2/1.1	11.59	31	24	SS56C1/2M-6-B	M7	\$766.83
0.75	3600	208-230/460	56C	--	80.0	2.6/1.3	12.57	33	24	SS56C3/4M-2-B	M7	\$716.03
	1800	208-230/460	56C	--	83.0	2.7/1.35	12.57	33	24	SS56C3/4M-4-B	M7	\$718.32
	1200	208-230/460	56C	--	80.0	3.4/1.7	12.57	34	24	SS56C3/4M-6-B	M7	\$815.52
1	3600	208-230/460	56C	--	77.0	2.9 - 2.8 / 1.4	12.57	35	8	PESS56C1M-2-B	M7	\$963.48
	1800	208-230/460	143TC	--	86.0	3.1 - 3 / 1.5	13.81	37	8	PESS143TC1M-4-B	M7	\$1,017.49
		208-230/460	56C	--	86.0	3.1 - 3 / 1.5	12.57	36	8	PESS56C1M-4-B	M7	\$951.53
	1200	208-230/460	145TC	--	83.0	4 - 3.8 / 1.9	12.63	43	8	PESS145TC1M-6-B	M7	\$1,182.39
1.5	3600	208-230/460	143TC	--	84.0	4.2 - 4 / 2	13.81	40	8	PESS143TC1.5M-2-B	M7	\$995.89
	1800	208-230/460	56C	--	84.0	4.2 - 4 / 2	12.57	39	8	PESS56C1.5M-2-B	M7	\$1,006.67
		208-230/460	145TC	--	87.0	5 - 4.6 / 2.3	12.63	43	8	PESS145TC1.5M-4-B	M7	\$1,018.14
	1200	208-230/460	56C	--	87.0	5 - 4.6 / 2.3	12.57	42	8	PESS56C1.5M-4-B	M7	\$1,019.23
	1200	208-230/460	182TC	--	86.0	5.4 - 4.9 / 2.45	17	79	8	PESS182TC1.5M-6-B	M7	\$2,116.32

\* Notes:

8. NEMA Premium (MG-1, Table 12-12)

24. The Fractional HP motors on this page are not currently required to, and may not meet NEMA MG-1, Table 12-12 for NEMA Premium Efficiency®. These motors are in compliance with EISA regulations.

Performance Data on p. 84

Dimensions on p. 123

Warranty on p. 145





Phases and HP: 3-Phase, .33–20 HP

Inverter duty: (20:1 VT; 10:1 CT)

Enclosure: Totally enclosed fan cooled (TEFC)

Frame: 56C–256TC



## Washdown Duty — C-Flange — Round Conduit Box w/ Encapsulation — Stainless Steel

HP	RPM	Volts	Frame	Flange	Full Load % Efficiency	Full Load Amps	"C" Dim (in.)	Weight (lbs.)	Notes *	Model Number	Mult. Symbol	List Price
2	3600	208-230/460	145TC	--	86.0	4.9 - 4.8 / 2.4	13.81	46	8	PESS145TC2M-2-B	M7	\$1,052.77
		208-230/460	56C	--	86.0	4.9 - 4.8 / 2.4	13.75	45	8	PESS56C2M-2-B	M7	\$1,054.04
	1800	208-230/460	145TC	--	87.0	6.2 - 6 / 3	13.81	52	8	PESS145TC2M-4-B	M7	\$1,123.67
		208-230/460	56C	--	87.0	6.2 - 6 / 3	13.75	51	8	PESS56C2M-4-B	M7	\$1,123.67
3	3600	208-230/460	184TC	--	87.0	6.6 - 6.1 / 3.05	17	95	8	PESS184TC2M-6-B	M7	\$2,269.22
		208-230/460	145TC	--	86.5	8.6 - 8.2 / 4.1	16.6	60	8	PESS145TC3M-2-B	M7	\$1,055.17
	1800	208-230/460	182TC	--	87.0	8.8 - 8.1 / 4.05	17	77	8	PESS182TC3M-2-B	M7	\$2,326.81
		208-230/460	182TC	--	90.0	8.4 - 8 / 4	17	78	8	PESS182TC3M-4-B	M7	\$2,269.22
5	3600	208-230/460	213TC	--	88.0	9.3 - 8.6 / 4.3	20.7	160	8	PESS213TC3M-6-B	M7	\$3,524.91
		208-230/460	184TC	--	89.0	12.6 - 12.2 / 6.1	17	95	8	PESS184TC5M-2-B	M7	\$2,502.53
	1800	208-230/460	184TC	--	90.0	13 - 12.5 / 6.25	17	99	8	PESS184TC5M-4-B	M7	\$2,583.49
		208-230/460	215TC	--	88.0	14.5 - 13.6 / 6.8	21.5	197	8	PESS215TC5M-6-B	M7	\$4,040.07
7.5	3600	208-230/460	213TC	--	90.0	20.5 - 19 / 9.5	20.7	151	8	PESS213TC7.5M-2-B	M7	\$3,830.29
	1800	208-230/460	213TC	--	92.0	20 - 18.6 / 9.3	20.7	179	8	PESS213TC7.5M-4-B	M7	\$3,754.64
10	3600	208-230/460	215TC	--	90.0	26 - 24.4 / 12.2	20.7	166	8	PESS215TC10M-2-B	M7	\$4,010.71
	1800	208-230/460	215TC	--	92.0	26 - 24.4 / 12.2	21.5	210	8	PESS215TC10M-4-B	M7	\$4,068.86
15	3600	208-230/460	254TC	--	91.0	40 - 37 / 18.5	23.2	253	8	PESS254TC15M-2-B	M7	\$8,182.33
	1800	208-230/460	254TC	--	92.0	40 - 37 / 18.5	23.2	286	8	PESS254TC15M-4-B	M7	\$8,182.33
20	3600	208-230/460	256TC	--	91.0	50 - 46 / 23	24.8	286	8	PESS256TC20M-2-B	M7	\$8,842.02
	1800	208-230/460	256TC	--	93.0	53-49/24.5	24.8	352	8	PESS256TC20M-4-B	M7	\$8,302.25

\* Notes:

8. NEMA Premium (MG-1, Table 12-12)

24. The Fractional HP motors on this page are not currently required to, and may not meet NEMA MG-1, Table 12-12 for NEMA Premium Efficiency®. These motors are in compliance with EISA regulations.

Performance Data on p. 84

Dimensions on p. 123

Warranty on p. 145



**Phases and HP:** 3-Phase, .33-20 HP  
**Enclosure:** Totally enclosed fan cooled (TEFC)  
**Frame:** 56C-256TC

**Inverter duty:** (20:1 VT; 10:1 CT)



GENERAL PURPOSE MOTORS

SPECIAL PURPOSE MOTORS

ACCESSORIES

APPENDIX

# Washdown Duty

## C-Flange/Round Body

### Round Conduit Box w/ Encapsulation

### Stainless Steel

UP TO  
20 HP IN  
STOCK!



## Standard Features/Specifications

### Performance and convenience

- Service factor: 1.15 @ 60 Hz, 1.0 @ 50 Hz
- NEMA Design B Performance/ High starting torque
- Round conduit box for easy cleaning
- Encapsulated windings

### Reliability

- Double sealed bearings in both ends
- 2-year warranty

### Protection

- Class F insulation system; Class B rise at full load; Class H vacuum pressure impregnation (VPI) resin for all windings
- IP66 protection
- Condensation drains with plugs

### Ratings

- NEMA MG-1, Table 12-12
- 40° C ambient continuous duty
- Dual voltage ratings suitable for part wind start on lower voltage
- Windings rated for 2200V peak voltage spikes
- .304 stainless steel shaft and body

### Applications

- Food processing
- Pharmaceutical equipment
- Other environments requiring extreme cleanliness and frequent washdowns
- Chemical processing
- Poultry processing
- Meat Processing
- Dairy application
- Bakeries
- Snack Foods
- Bottling
- Extremely corrosive environments
- Suitable for use with variable frequency drives

HP	RPM	Volts	Frame	Flange	Full Load % Efficiency	Full Load Amps	"C" Dim (in.)	Weight (lbs.)	Notes *	Model Number	Mult. Symbol	List Price
0.33	3600	208-230/460	56C	--	74.0	1.3/0.65	11.59	26	24	SS56C1/3M-2-RB-B	M7	\$622.35
	1800	208-230/460	56C	--	83.0	1.3/0.65	11.59	28	24	SS56C1/3M-4-RB-B	M7	\$662.08
0.5	3600	208-230/460	56C	--	77.0	1.8/0.9	11.59	29	24	SS56C1/2M-2-RB-B	M7	\$651.05
	1800	208-230/460	56C	--	83.0	1.8/0.9	11.59	29	24	SS56C1/2M-4-RB-B	M7	\$675.36
	1200	208-230/460	56C	--	80.0	2.2/1.1	11.59	31	24	SS56C1/2M-6-RB-B	M7	\$742.59
0.75	3600	208-230/460	56C	--	80.0	2.6/1.3	12.57	33	24	SS56C3/4M-2-RB-B	M7	\$699.24
	1800	208-230/460	56C	--	83.0	2.7/1.35	12.57	33	24	SS56C3/4M-4-RB-B	M7	\$699.24
	1200	208-230/460	56C	--	80.0	3.4/1.7	12.57	34	24	SS56C3/4M-6-RB-B	M7	\$791.17
1	3600	208-230/460	56C	--	77.0	2.9 - 2.8 / 1.4	12.57	34	8	PESS56C1M-2-RB-B	M7	\$937.74
	1800	208-230/460	143TC	--	86.0	3.1 - 3 / 1.5	12.63	36	8	PESS143TC1M-4-RB-B	M7	\$984.46
		208-230/460	56C	--	86.0	3.1 - 3 / 1.5	12.57	35	8	PESS56C1M-4-RB-B	M7	\$925.65
	1200	208-230/460	145TC	--	83.0	4 - 3.8 / 1.9	12.63	42	8	PESS145TC1M-6-RB-B	M7	\$1,149.36
1.5	3600	208-230/460	143TC	--	84.0	4.2 - 4 / 2	12.63	39	8	PESS143TC1.5M-2-RB-B	M7	\$961.08
		208-230/460	56C	--	84.0	4.2 - 4 / 2	12.57	38	8	PESS56C1.5M-2-RB-B	M7	\$979.75
	1800	208-230/460	145TC	--	87.0	5 - 4.6 / 2.3	12.63	42	8	PESS145TC1.5M-4-RB-B	M7	\$992.27
		208-230/460	56C	--	87.0	5 - 4.6 / 2.3	12.57	41	8	PESS56C1.5M-4-RB-B	M7	\$992.27
1200	208-230/460	182TC	--	86.0	5.4 - 4.9 / 2.45	17	78	8	PESS182TC1.5M-6-RB-B	M7	\$2,048.57	

\* Notes:  
8. NEMA Premium (MG-1, Table 12-12)

24. The Fractional HP motors on this page are not currently required to, and may not meet NEMA MG-1, Table 12-12 for NEMA Premium Efficiency®. These motors are in compliance with EISA regulations.

Performance Data on p. 85  
Dimensions on p. 124  
Warranty on p. 145



Phases and HP: 3-Phase, .33–20 HP

Inverter duty: (20:1 VT; 10:1 CT)

Enclosure: Totally enclosed fan cooled (TEFC)

Frame: 56C–256TC



## Washdown Duty — C-Flange/Round Body Round Conduit Box w/ Encapsulation — Stainless Steel

HP	RPM	Volts	Frame	Flange	Full Load % Efficiency	Full Load Amps	"C" Dim (in.)	Weight (lbs.)	Notes *	Model Number	Mult. Symbol	List Price
2	3600	208-230/460	145TC	--	86.0	4.9 - 4.8 / 2.4	13.81	45	8	PESS145TC2M-2-RB-B	M7	\$1,018.14
		208-230/460	56C	--	86.0	4.9 - 4.8 / 2.4	13.75	44	8	PESS56C2M-2-RB-B	M7	\$1,020.54
	1800	208-230/460	145TC	--	87.0	6.2 - 6 / 3	13.81	51	8	PESS145TC2M-4-RB-B	M7	\$1,089.47
		208-230/460	56C	--	87.0	6.2 - 6 / 3	13.75	50	8	PESS56C2M-4-RB-B	M7	\$1,089.47
3	3600	208-230/460	184TC	--	87.0	6.6 - 6.1 / 3.05	17	94	8	PESS184TC2M-6-RB-B	M7	\$2,201.47
		208-230/460	145TC	--	86.5	8.6 - 8.2 / 4.1	16.6	60	8	PESS145TC3M-2-RB-B	M7	\$1,018.13
	1800	208-230/460	182TC	--	87.0	8.8 - 8.1 / 4.05	17	76	8	PESS182TC3M-2-RB-B	M7	\$2,258.40
		208-230/460	182TC	--	90.0	8.4 - 8 / 4	17	77	8	PESS182TC3M-4-RB-B	M7	\$2,199.54
5	1200	208-230/460	213TC	--	88.0	9.3 - 8.6 / 4.3	20.7	159	8	PESS213TC3M-6-RB-B	M7	\$3,421.78
		208-230/460	184TC	--	89.0	12.6 - 12.2 / 6.1	17	94	8	PESS184TC5M-2-RB-B	M7	\$2,434.68
	3600	208-230/460	184TC	--	90.0	13 - 12.5 / 6.25	17	98	8	PESS184TC5M-4-RB-B	M7	\$2,517.49
		208-230/460	215TC	--	88.0	14.5 - 13.6 / 6.8	21.5	196	8	PESS215TC5M-6-RB-B	M7	\$3,941.22
7.5	3600	208-230/460	213TC	--	90.0	20.5 - 19 / 9.5	20.7	150	8	PESS213TC7.5M-2-RB-B	M7	\$3,727.07
	1800	208-230/460	213TC	--	92.0	20 - 18.6 / 9.3	20.7	178	8	PESS213TC7.5M-4-RB-B	M7	\$3,651.46
10	3600	208-230/460	215TC	--	90.0	26 - 24.4 / 12.2	20.7	165	8	PESS215TC10M-2-RB-B	M7	\$3,908.15
	1800	208-230/460	215TC	--	92.0	26 - 24.4 / 12.2	21.5	209	8	PESS215TC10M-4-RB-B	M7	\$3,965.78
15	3600	208-230/460	254TC	--	91.0	40 - 37 / 18.5	23.2	252	8	PESS254TC15M-2-RB-B	M7	\$7,852.43
	1800	208-230/460	254TC	--	92.0	40 - 37 / 18.5	23.2	285	8	PESS254TC15M-4-RB-B	M7	\$7,852.43
20	3600	208-230/460	256TC	--	91.0	50 - 46 / 23	24.8	285	8	PESS256TC20M-2-RB-B	M7	\$8,512.17
	1800	208-230/460	256TC	--	93.0	53-49/24.5	24.8	351	8	PESS256TC20M-4-RB-B	M7	\$8,512.17

\* Notes:

8. NEMA Premium (MG-1, Table 12-12)

24. The Fractional HP motors on this page are not currently required to, and may not meet NEMA MG-1, Table 12-12 for NEMA Premium Efficiency®. These motors are in compliance with EISA regulations.

Performance Data on p. 85

Dimensions on p. 124

Warranty on p. 145



**Phases and HP:** 3-phase; .33-3.0 HP  
**Enclosure:** Totally enclosed non ventilated (TENV)  
**Frame:** 56C-182TC

**Inverter duty:** (20:1 VT; 10:1 CT)



GENERAL PURPOSE MOTORS

SPECIAL PURPOSE MOTORS

ACCESSORIES

APPENDIX

# Washdown Duty

## C-Flange

## Round Conduit Box

## Stainless Steel



## Standard Features/Specifications

### Performance and convenience

- Service factor: 1.15 @ 60 Hz, 1.0 @ 50 Hz
- NEMA Design B Performance/ High starting torque
- Round conduit box for easy cleaning

### Reliability

- Double sealed bearings in both ends
- 2-year warranty

### Protection

- Class F insulation system; Class B rise at full load; Class H vacuum pressure impregnation (VPI) resin for all windings
- IP66 protection
- Condensation drains with plugs

### Ratings

- NEMA MG-1, Table 12-12
- 40° C ambient continuous duty
- Dual voltage ratings suitable for part wind start on lower voltage
- Windings rated for 2200V peak voltage spikes
- .304 stainless steel shaft and body

### Applications

- Food processing
- Pharmaceutical equipment
- Other environments requiring extreme cleanliness and frequent washdowns
- Chemical processing
- Poultry processing
- Meat Processing
- Dairy application
- Bakeries
- Snack Foods
- Bottling
- Extremely corrosive environments
- Suitable for use with variable frequency drives

HP	RPM	Volts	Frame	Flange	Full Load % Efficiency	Full Load Amps	"C" Dim (in.)	Weight (lbs.)	Notes *	Model Number	Mult. Symbol	List Price
0.33	3600	208-230/460	56C		72.0	1.3/0.65	9.8	26	24	SS56C1/3M-2-A-NV	M7	\$474.67
	1800	208-230/460	56C		74.0	1.7/0.85	9.8	28	24	SS56C1/3M-4-A-NV	M7	\$514.05
0.5	3600	208-230/460	56C		74.0	1.8/0.9	9.8	29	24	SS56C1/2M-2-A-NV	M7	\$502.95
	1800	208-230/460	56C		78.5	1.8/0.9	9.8	30	24	SS56C1/2M-4-A-NV	M7	\$525.08
0.75	3600	208-230/460	56C		77.0	2.6/1.3	10.78	33	24	SS56C3/4M-2-A-NV	M7	\$545.88
	1800	208-230/460	56C		81.5	2.8/1.4	10.78	33	24	SS56C3/4M-4-A-NV	M7	\$548.05
1	3600	208-230/460	56C		75.5	3.3/1.65	10.78	39	8	PESS56C1M-2-A-NV	M7	\$804.79
	1800	208-230/460	143TC		82.5	3.7/1.85	12.02	42	8	PESS143TC1M-4-A-NV	M7	\$817.40
		208-230/460	56C		82.5	3.7/1.85	10.78	42	8	PESS56C1M-4-A-NV	M7	\$817.40
1.5	3600	208-230/460	143TC		82.5	4.4/2.2	12.02	46	8	PESS143TC1.5M-2-A-NV	M7	\$852.16
		208-230/460	56C		82.5	4.4/2.2	11.96	46	8	PESS56C1.5M-2-A-NV	M7	\$852.16
	1800	208-230/460	145TC		84.0	5.2/2.6	12.02	51	8	PESS145TC1.5M-4-A-NV	M7	\$921.75
		208-230/460	56C		84.0	5.2/2.6	11.96	51	8	PESS56C1.5M-4-A-NV	M7	\$921.75
2	3600	208-230/460	145TC		84.0	6.0/3.0	13.81	60	8	PESS145TC2M-2-A-NV	M7	\$1,353.31
		208-230/460	56C		84.0	6.0/3.0	13.75	60	8	PESS56C2M-2-A-NV	M7	\$1,353.31
	1800	208-230/460	145TC		84.0	6.4/3.2	13.81	65	8	PESS145TC2M-4-A-NV	M7	\$1,608.54
		208-230/460	56C		84.0	6.4/3.2	13.75	65	8	PESS56C2M-4-A-NV	M7	\$1,608.54
3	3600	208-230/460	182TC		85.5	8.6/4.3	14.7	95	8	PESS182TC3M-2-A-NV	M7	\$2,168.02
	1800	208-230/460	182TC		87.5	9.0/4.5	14.7	99	8	PESS182TC3M-4-A-NV	M7	\$2,248.94

\* Notes:

8. NEMA Premium (MG-1, Table 12-12)

24. The Fractional HP motors on this page are not currently required to, and may not meet NEMA MG-1, Table 12-12 for NEMA Premium Efficiency®. These motors are in compliance with EISA regulations.

Performance Data on p. 86

Dimensions on p. 125

Warranty on p. 145



**Phases and HP:** 3-phase; .33-3.0 HP  
**Enclosure:** Round Body-Totally enclosed non ventilated (TENV)

**Frame:** 56C-182TC  
**Inverter duty:** (20:1 VT; 10:1 CT)



# Washdown Duty

## C-Flange/Round Body

## Round Conduit Box

## Stainless Steel

UP TO  
**3 HP IN STOCK!**



## Standard Features/Specifications

### Performance and convenience

- Service factor: 1.15 @ 60 Hz, 1.0 @ 50 Hz
- NEMA Design B Performance/ High starting torque
- Round conduit box for easy cleaning

### Reliability

- Double sealed bearings in both ends
- 2-year warranty

### Protection

- Class F insulation system; Class B rise at full load; Class H vacuum pressure impregnation (VPI) resin for all windings
- IP66 protection
- Condensation drains with plugs

### Ratings

- NEMA MG-1, Table 12-12
- 40° C ambient continuous duty
- Dual voltage ratings suitable for part wind start on lower voltage
- Windings rated for 2200V peak voltage spikes
- .304 stainless steel shaft and body

### Applications

- Food processing
- Pharmaceutical equipment
- Other environments requiring extreme cleanliness and frequent washdowns
- Chemical processing
- Poultry processing
- Meat Processing
- Dairy application
- Bakeries
- Snack Foods
- Bottling
- Extremely corrosive environments
- Suitable for use with variable frequency drives

HP	RPM	Volts	Frame	Flange	Full Load % Efficiency	Full Load Amps	"C" Dim (in.)	Weight (lbs.)	Notes *	Model Number	Mult. Symbol	List Price
0.33	3600	208-230/460	56C		72.0	1.3/0.65	9.8	26	24	SS56C1/3M-2-RB-A-NV	M7	\$452.12
	1800	208-230/460	56C		74.0	1.7/0.85	9.8	28	24	SS56C1/3M-4-RB-A-NV	M7	\$491.88
0.5	3600	208-230/460	56C		74.0	1.8/0.9	9.8	29	24	SS56C1/2M-2-RB-A-NV	M7	\$480.97
	1800	208-230/460	56C		78.5	1.8/0.9	9.8	30	24	SS56C1/2M-4-RB-A-NV	M7	\$505.20
0.75	3600	208-230/460	56C		77.0	2.6/1.3	10.78	33	24	SS56C3/4M-2-RB-A-NV	M7	\$529.05
	1800	208-230/460	56C		81.5	2.8/1.4	10.78	33	24	SS56C3/4M-4-RB-A-NV	M7	\$529.05
1	3600	208-230/460	56C		75.5	3.3/1.65	10.78	39	8	PESS56C1M-2-RB-A-NV	M7	\$777.83
	1800	208-230/460	143TC		82.5	3.7/1.85	12.02	42	8	PESS143TC1M-4-RB-A-NV	M7	\$790.39
		208-230/460	56C		82.5	3.7/1.85	10.78	42	8	PESS56C1M-4-RB-A-NV	M7	\$790.39
1.5	3600	208-230/460	143TC		82.5	4.4/2.2	12.02	46	8	PESS143TC1.5M-2-RB-A-NV	M7	\$818.62
		208-230/460	56C		82.5	4.4/2.2	11.96	46	8	PESS56C1.5M-2-RB-A-NV	M7	\$818.62
	1800	208-230/460	145TC		84.0	5.2/2.6	12.02	51	8	PESS145TC1.5M-4-RB-A-NV	M7	\$887.59
		208-230/460	56C		84.0	5.2/2.6	11.96	51	8	PESS56C1.5M-4-RB-A-NV	M7	\$887.59
2	3600	208-230/460	145TC		84.0	6.0/3.0	13.81	60	8	PESS145TC2M-2-RB-A-NV	M7	\$1,316.09
		208-230/460	56C		84.0	6.0/3.0	13.75	60	8	PESS56C2M-2-RB-A-NV	M7	\$1,316.09
	1800	208-230/460	145TC		84.0	6.4/3.2	13.81	65	8	PESS145TC2M-4-RB-A-NV	M7	\$1,576.64
208-230/460		56C		84.0	6.4/3.2	13.75	65	8	PESS56C2M-4-RB-A-NV	M7	\$1,576.64	
3	3600	208-230/460	182TC		85.5	8.6/4.3	14.7	95	8	PESS182TC3M-2-RB-A-NV	M7	\$2,100.23
	1800	208-230/460	182TC		87.5	9.0/4.5	14.7	99	8	PESS182TC3M-4-RB-A-NV	M7	\$2,183.03

\* Notes:  
 8. NEMA Premium (MG-1, Table 12-12)

24. The Fractional HP motors on this page are not currently required to, and may not meet NEMA MG-1, Table 12-12 for NEMA Premium Efficiency®. These motors are in compliance with EISA regulations.

Performance Data on p. 87  
 Dimensions on p. 126  
 Warranty on p. 145



**Phases and HP:** 3-Phase, 1-75 HP

**Enclosure:** Totally enclosed fan cooled (TEFC)

**Frame:** 143JM-365JM

**Inverter duty:** (20:1 VT; 10:1 CT)



GENERAL PURPOSE MOTORS

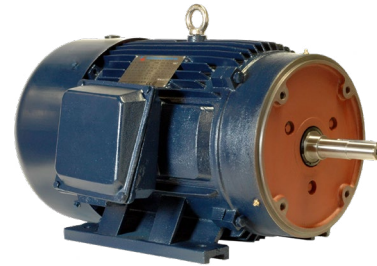
SPECIAL PURPOSE MOTORS

ACCESSORIES

APPENDIX

## Close Coupled JM Frame Heavy Duty Cast Iron

**UP TO  
75 HP IN  
STOCK!**



### Standard Features/Specifications

#### Performance and convenience

- Service factor: 1.15 @ 60 Hz; 1.0 @ 50 Hz
- NEMA Design B Performance/ High starting torque
- F1/F2 reversible
- Dual-drilled feet for mounting flexibility
- Lifting provisions

#### Reliability

- Sealed bearings
- 3-year warranty (extended warranty available)

#### Protection

- Class F insulation system; Class B rise at full load; Class H vacuum pressure impregnation (VPI) resin for all windings
- Stainless steel nameplate and zinc plated hardware, corrosion resistant epoxy paint
- IP55 protection
- Condensation drains with plugs

#### Ratings

- NEMA MG- 1, Table 12-12
- Class I, Div. II, Groups A, B, C, D, T2B; Class II, Div. II, Groups F, G
- 40° C ambient continuous duty
- Dual voltage ratings suitable for part wind start on lower voltage
- Windings rated for 2200V peak voltage spikes

#### Applications

- Industrial and commercial pumping units
- Suitable for use with variable frequency drives

HP	RPM	Volts	Frame	Flange	Full Load % Efficiency	Full Load Amps	"C" Dim (in.)	Weight (lbs.)	Notes *	Model Number	Mult. Symbol	List Price
1	1800	208-230/460	143JM	--	85.5	3.2-3/1.5	16.2	45	--	PE143JM-1-4	M4	\$378.33
1.5	3600	208-230/460	143JM	--	84.0	4.4-4/2	16.2	47	--	PE143JM-1.5-2	M4	\$395.74
	1800	208-230/460	145JM	--	86.5	4.7-4.4/2.2	17.2	50	--	PE145JM-1.5-4	M4	\$421.64
2	3600	208-230/460	145JM	--	85.5	5.8-5.3/2.65	17.2	49	--	PE145JM-2-2	M4	\$436.13
	1800	208-230/460	145JM	--	86.5	6.6-6.2/3.1	17.2	49	--	PE145JM-2-4	M4	\$441.74
3	3600	208-230/460	145JM	--	86.5	9-8.2/4.1	17.2	60	--	PE145JM-3-2	M4	\$553.09
		208-230/460	182JM	--	86.5	7.9-7.4/3.7	18.5	89	--	PE182JM-3-2	M4	\$598.71
	1800	208-230/460	182JM	--	89.5	8.2-7.6/3.8	18.5	89	--	PE182JM-3-4	M4	\$657.54
5	3600	208-230/460	184JM	--	88.5	13-11.6/5.8	19.5	108	--	PE184JM-5-2	M4	\$735.01
	1800	208-230/460	184JM	--	89.5	14-13.6/6.8	19.5	96	--	PE184JM-5-4	M4	\$786.20
7.5	3600	208-230/460	184JM	--	89.5	18.8-17.6/8.8	19.5	117	--	PE184JM-7.5-2	M4	\$921.13
		208-230/460	213JM	--	89.5	18.8-17.6/8.8	20.8	156	--	PE213JM-7.5-2	M4	\$1,070.93
	1800	208-230/460	213JM	--	91.7	19.8-18.4/9.2	20.8	162	--	PE213JM-7.5-4	M4	\$1,171.66
10	3600	208-230/460	215JM	--	90.2	23.9-22.8/11.4	22.3	166	--	PE215JM-10-2	M4	\$1,171.66
	1800	208-230/460	215JM	--	91.7	26-24/12	22.3	179	--	PE215JM-10-4	M4	\$1,303.62
15	3600	208-230/460	215JM	--	91.0	37-35/17.5	22.3	175	--	PE215JM-15-2	M4	\$1,593.77
		208-230/460	254JM	--	91.0	36.2-34.4/17.2	24.7	261	--	PE254JM-15-2	M4	\$1,784.00
	1800	208-230/460	254JM	--	92.4	37.2-36.4/18.2	24.7	279	--	PE254JM-15-4	M4	\$1,986.59

Performance Data on p. 88  
Dimensions on p. 127  
Warranty on p. 145



Phases and HP: 3-Phase, 1-75 HP

Inverter duty: (20:1 VT; 10:1 CT)

Enclosure: Totally enclosed fan cooled (TEFC)

Frame: 143JM-365JM



## Close Coupled — JM Frame — Heavy Duty Cast Iron

HP	RPM	Volts	Frame	Flange	Full Load % Efficiency	Full Load Amps	"C" Dim (in.)	Weight (lbs.)	Notes *	Model Number	Mult. Symbol	List Price
20	3600	208-230/460	256JM	--	91.0	48.5-46/23	26.5	288	--	PE256JM-20-2	M4	\$2,099.07
	1800	208-230/460	256JM	--	93.0	51.8-48.4/24.2	26.5	322	--	PE256JM-20-4	M4	\$2,235.84
25	3600	208-230/460	256JM	--	91.7	60-56/28	26.5	326	--	PE256JM-25-2	M4	\$2,399.91
		208-230/460	284JM	--	91.7	61-57/28.5	27.5	369	--	PE284JM-25-2	M4	\$2,535.05
30	1800	208-230/460	284JM	--	93.6	65-60/30	27.5	369	--	PE284JM-25-4	M4	\$2,550.91
		208-230/460	286JM	--	91.7	74-69/34.5	29	401	--	PE286JM-30-2	M4	\$2,689.81
40	3600	208-230/460	286JM	--	93.6	76-70.6/35.3	29	429	--	PE286JM-30-4	M4	\$2,866.27
		208-230/460	286JM	--	92.4	95-89/44.5	29	417	--	PE286JM-40-2	M4	\$3,221.95
50	1800	208-230/460	324JM	--	92.4	94.9-91/45.5	30.1	539	--	PE324JM-40-2	M4	\$3,538.00
		208-230/460	324JM	--	94.1	100-93.2/46.6	30.1	535	--	PE324JM-40-4	M4	\$3,582.45
60	3600	208-230/460	326JM	--	93.0	124-116.2/58.1	31.6	568	--	PE326JM-50-2	M4	\$3,783.41
		208-230/460	326JM	--	94.5	124-116.6/58.3	31.6	591	--	PE326JM-50-4	M4	\$3,899.70
75	1800	208-230/460	364JM	--	93.6	146-132/66	33.1	815	--	PE364JM-60-2	M4	\$4,902.97
		208-230/460	364JM	--	95.0	154-139/69.5	32.1	788	--	PE364JM-60-4	M4	\$5,388.55
75	3600	208-230/460	365JM	--	93.6	184-166/83	33.1	853	--	PE365JM-75-2	M4	\$4,953.30
		208-230/460	365JM	--	95.4	193-174/87	33.1	833	--	PE365JM-75-4	M4	\$5,961.86

GENERAL PURPOSE MOTORS

SPECIAL PURPOSE MOTORS

ACCESSORIES

APPENDIX

Performance Data on p. 88  
 Dimensions on p. 127  
 Warranty on p. 145



**Phases and HP:** 3-Phase, 1–75 HP  
**Enclosure:** Totally enclosed fan cooled (TEFC)  
**Frame:** 143JP–365JP

**Inverter duty:** (20:1 VT; 10:1 CT)



GENERAL PURPOSE MOTORS

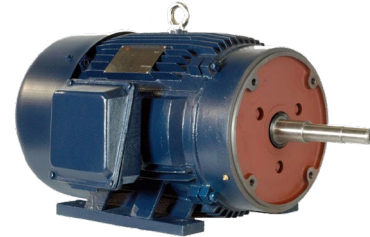
SPECIAL PURPOSE MOTORS

ACCESSORIES

APPENDIX

# Close Coupled JP Frame Heavy Duty Cast Iron

UP TO  
**75 HP IN STOCK!**



## Standard Features/Specifications

### Performance and convenience

- Service factor: 1.15 @ 60 Hz; 1.0 @ 50 Hz
- NEMA Design B Performance/ High starting torque
- F1/F2 reversible
- Dual-drilled feet for mounting flexibility
- Lifting provisions

### Reliability

- Sealed bearings
- 3-year warranty (extended warranty available)

### Protection

- Class F insulation system; Class B rise at full load; Class H vacuum pressure impregnation (VPI) resin for all windings
- Stainless steel nameplate and zinc plated hardware, corrosion resistant epoxy paint
- IP55 protection
- Condensation drains with plugs

### Ratings

- NEMA MG- 1, Table 12-12
- Class I, Div. II, Groups A, B, C, D, T2B; Class II, Div. II, Groups F, G
- 40° C ambient continuous duty
- Dual voltage ratings suitable for part wind start on lower voltage
- Windings rated for 2200V peak voltage spikes

### Applications

- Industrial and commercial pumping units
- Suitable for use with variable frequency drives

HP	RPM	Volts	Frame	Flange	Full Load % Efficiency	Full Load Amps	"C" Dim (in.)	Weight (lbs.)	Notes *	Model Number	Mult. Symbol	List Price
1	1800	208-230/460	143JP	--	85.5	3.2-3/1.5	19.3	49	--	PE143JP-1-4	M4	\$378.33
1.5	3600	208-230/460	143JP	--	84.0	4.4-4/2	19.3	47	--	PE143JP-1.5-2	M4	\$395.74
	1800	208-230/460	145JP	--	86.5	4.7-4.4/2.2	20.3	53	--	PE145JP-1.5-4	M4	\$421.64
2	3600	208-230/460	145JP	--	85.5	5.8-5.3/2.65	20.3	49	--	PE145JP-2-2	M4	\$436.13
	1800	208-230/460	145JP	--	86.5	6.6-6.2/3.1	20.3	54	--	PE145JP-2-4	M4	\$441.74
3	3600	208-230/460	145JP	--	86.5	9-8.2/4.1	20.3	56	--	PE145JP-3-2	M4	\$553.09
		208-230/460	182JP	--	86.5	7.9-7.4/3.7	21.6	89	--	PE182JP-3-2	M4	\$598.71
	1800	208-230/460	182JP	--	89.5	8.2-7.6/3.8	21.6	90	--	PE182JP-3-4	M4	\$657.54
5	3600	208-230/460	184JP	--	88.5	13-11.6/5.8	22.6	107	--	PE184JP-5-2	M4	\$735.01
	1800	208-230/460	184JP	--	89.5	14-13.6/6.8	22.6	98	--	PE184JP-5-4	M4	\$786.20
7.5	3600	208-230/460	184JP	--	89.5	18.8-17.6/8.8	22.6	119	--	PE184JP-7.5-2	M4	\$921.13
		208-230/460	213JP	--	89.5	18.8-17.6/8.8	24.7	160	--	PE213JP-7.5-2	M4	\$1,070.93
	1800	208-230/460	213JP	--	91.7	19.8-18.4/9.2	24.7	159	--	PE213JP-7.5-4	M4	\$1,171.66
10	3600	208-230/460	215JP	--	90.2	23.9-22.8/11.4	26.2	173	--	PE215JP-10-2	M4	\$1,171.66
	1800	208-230/460	215JP	--	91.7	26-24/12	26.2	186	--	PE215JP-10-4	M4	\$1,303.62
15	3600	208-230/460	215JP	--	91.0	37-35/17.5	26.2	189	--	PE215JP-15-2	M4	\$1,593.77
		208-230/460	254JP	--	91.0	36.2-34.4/17.2	27.6	261	--	PE254JP-15-2	M4	\$1,784.00
	1800	208-230/460	254JP	--	92.4	37.2-36.4/18.2	27.6	281	--	PE254JP-15-4	M4	\$1,986.59

Performance Data on p. 89  
 Dimensions on p. 128  
 Warranty on p. 145





Phases and HP: 3-Phase, 1-75 HP

Inverter duty: (20:1 VT; 10:1 CT)

Enclosure: Totally enclosed fan cooled (TEFC)

Frame: 143JP-365JP



## Close Coupled — JP Frame — Heavy Duty Cast Iron

HP	RPM	Volts	Frame	Flange	Full Load % Efficiency	Full Load Amps	"C" Dim (in.)	Weight (lbs.)	Notes *	Model Number	Mult. Symbol	List Price
20	3600	208-230/460	256JP	--	91.0	48.5-46/23	29.4	269	--	PE256JP-20-2	M4	\$2,099.07
	1800	208-230/460	256JP	--	93.0	51.8-48.4/24.2	29.4	312	--	PE256JP-20-4	M4	\$2,235.84
25	3600	208-230/460	256JP	--	91.7	60-56/28	29.4	326	--	PE256JP-25-2	M4	\$2,399.91
		208-230/460	284JP	--	91.7	61-57/28.5	30.4	371	--	PE284JP-25-2	M4	\$2,535.05
30	1800	208-230/460	284JP	--	93.6	65-60/30	30.4	395	--	PE284JP-25-4	M4	\$2,550.91
	3600	208-230/460	286JP	--	91.7	74-69/34.5	31.9	412	--	PE286JP-30-2	M4	\$2,689.81
40	1800	208-230/460	286JP	--	93.6	76-70.6/35.3	31.9	429	--	PE286JP-30-4	M4	\$2,866.27
	3600	208-230/460	286JP	--	92.4	95-89/44.5	31.9	425	--	PE286JP-40-2	M4	\$3,221.95
50		1800	208-230/460	324JP	--	92.4	94.9-91/45.5	32.9	542	--	PE324JP-40-2	M4
	60	3600	208-230/460	324JP	--	94.1	100-93.2/46.6	32.9	530	--	PE324JP-40-4	M4
75		3600	208-230/460	326JP	--	93.0	124-116.2/58.1	34.4	573	--	PE326JP-50-2	M4
	80	1800	208-230/460	326JP	--	94.5	124-116.6/58.3	34.4	600	--	PE326JP-50-4	M4
90		3600	208-230/460	364JP	--	93.6	146-132/66	36	818	--	PE364JP-60-2	M4
	100	1800	208-230/460	364JP	--	95.0	154-139/69.5	35	789	--	PE364JP-60-4	M4
125		3600	208-230/460	365JP	--	93.6	184-166/83	36	778	--	PE365JP-75-2	M4
	1800	208-230/460	365JP	--	95.4	193-174/87	36	836	--	PE365JP-75-4	M4	\$5,961.86

GENERAL PURPOSE MOTORS

SPECIAL PURPOSE MOTORS

ACCESSORIES

APPENDIX

Performance Data on p. 89  
 Dimensions on p. 128  
 Warranty on p. 145



**Phases and HP:** 3-Phase, 1–250 HP

**Inverter rated:** (10:1 VT; 5:1 CT)

**Enclosure:** Totally enclosed explosion proof (TEXP)

**Frame:** 143T–449T



# Explosion Proof Cast Iron

UP TO  
250 HP IN  
STOCK!



## Standard Features/Specifications

### Performance and convenience

- Service factor: 1.15 @ 60 Hz; 1.0 @ 50 Hz
- NEMA Design B Performance
- F1/F2 reversible
- Dual-drilled feet for mounting flexibility
- Lifting provisions

### Reliability

- Sealed bearings
- 2-year warranty

### Protection

- Class F insulation system; Class B rise at full load; Class H vacuum pressure impregnation (VPI) resin for all windings
- Stainless steel nameplate and zinc plated hardware, corrosion resistant epoxy paint
- IP55 protection
- Cast iron frame construction

### Ratings

- NEMA MG- 1, Table 12-12
- 143-215T frame: Class I, Div. I, Groups C, D and Class II, Div. I, Groups F, G:
  - T3C, w/ ambient temp rating: -20°C to 55°C @ 1.15 SF
  - T3C w/ ambient temp rating: -20°C to 40°C @ 1.0 SF for Inverter Duty
- 254-449T frame: Class I, Div. I, Groups C, D:
  - T3C, w/ ambient temp rating: -20°C to 40°C @ 1.15 SF for Inverter Duty
  - T2B, w/ ambient temp rating: 20°C to 55°C @ 1.15 SF, or 1.0 SF for Inverter Duty
- Class II, Div. I, Groups F, G:
  - T3C, w/ ambient temp rating: -20°C to 40°C @ 1.15 SF, or 1.0 SF for Inverter Duty
- Dual voltage ratings suitable for part wind start on lower voltage

### Applications

- Pumps
- Fans
- Blowers
- Compressors
- Material handling equipment
- Other industrial and commercial machinery
- Damp, dusty or dirty environments
- Hazardous locations as defined by class and group
- Suitable for use with variable frequency drives

### Options

- C-Flange conversion kits available<sup>5</sup>

HP	RPM	Volts	Frame	Flange	Full Load % Efficiency	Full Load Amps	"C" Dim (in.)	Weight (lbs.)	Notes *	Model Number	Mult. Symbol	List Price
1	1800	208-230/460	143T	XP-1	85.5	3-2.7/1.35	12.6	90	5,12,26	PEXP143T-1-4	M5	\$813.96
	1200	208-230/460	145T	XP-1	82.5	3.6-3.3/1.65	14.6	84	5,12,26	PEXP145T-1-6	M5	\$896.23
1.5	3600	208-230/460	143T	XP-1	84.0	4.1-3.7/1.85	12.6	86	5,12,26	PEXP143T-1.5-2	M5	\$832.22
	1800	208-230/460	145T	XP-1	86.5	4.3-3.9/1.95	14.6	90	5,12,26	PEXP145T-1.5-4	M5	\$896.23
2	1200	208-230/460	182T	XP-1	87.5	4.6-4.1/2.07	18.43	132	5,12,26	PEXP182T-1.5-6	M5	\$1,019.69
	3600	208-230/460	145T	XP-1	85.5	5.5-5/2.5	14.6	86	5,12,26	PEXP145T-2-2	M5	\$928.24
	1800	208-230/460	145T	XP-1	86.5	5.8-5.2/2.6	14.6	88	5,12,26	PEXP145T-2-4	M5	\$1,019.69
	1200	208-230/460	184T	XP-1	88.5	6.2-5.6/2.8	18.43	143	5,12	PEXP184T-2-6	M5	\$1,289.49
3	3600	208-230/460	182T	XP-1	86.5	7.7-7/3.5	16.1	134	5,12,26	PEXP182T-3-2	M5	\$1,179.78
	1800	208-230/460	182T	XP-1	89.5	8.4-7.6/3.8	16.1	143	5,12,26	PEXP182T-3-4	M5	\$1,239.23
	1200	208-230/460	213T	XP-1	89.5	8.7-7.9/3.95	18.9	248	5,12	PEXP213T-3-6	M5	\$1,518.16
5	3600	208-230/460	184T	XP-1	88.5	13.3-12/6	17.1	135	5,12	PEXP184T-5-2	M5	\$1,467.84
	1800	208-230/460	184T	XP-1	89.5	15.5-14/7	17.1	146	5,12	PEXP184T-5-4	M5	\$1,467.84
	1200	208-230/460	215T	XP-1	89.5	16.6-15/7.5	20.4	256	5,12	PEXP215T-5-6	M5	\$2,012.00

**\* Notes:**

- 5. C-Flange conversion kits (see pg. 66)
- 12. Ball bearing on drive end

- 25. 460V only
- 26. Suitable for part wind start at 208-230V

Performance Data on p. 90  
Dimensions on p. 129-130  
Warranty on p. 145



Phases and HP: 3-Phase, 1–250 HP

Inverter rated: (10:1 VT; 5:1 CT)

Enclosure: Totally enclosed explosion proof (TEXP)

Frame: 143T–449T



**NEMA**  
Premium

**ISO9001**  
CERTIFIED



# Explosion Proof – Cast Iron

HP	RPM	Volts	Frame	Flange	Full Load % Efficiency	Full Load Amps	“C” Dim (in.)	Weight (lbs.)	Notes *	Model Number	Mult. Symbol	List Price
7.5	3600	208-230/460	213T	XP-1	89.5	18.4-16.6/8.3	18.9	249	5,12	PEXP213T-7.5-2	M5	\$1,733.07
	1800	208-230/460	213T	XP-1	91.7	19.7-17.8/8.9	18.9	265	5,12	PEXP213T-7.5-4	M5	\$1,920.55
	1200	208-230/460	254T	XP-1	91.0	27.6-25/12.5	23.2	401	5,12	PEXP254T-7.5-6	M5	\$2,281.80
10	3600	208-230/460	215T	XP-1	90.2	25.4-23/11.5	20.4	251	5,12	PEXP215T-10-2	M5	\$2,007.44
	1800	208-230/460	215T	XP-1	91.7	27-24.4/12.2	20.4	268	5,12	PEXP215T-10-4	M5	\$2,071.45
	1200	208-230/460	256T	XP-1	91.0	27.6-25/12.5	25	385	5,12	PEXP256T-10-6	M5	\$2,825.96
15	3600	208-230/460	254T	XP-1	91.0	36.5-33/16.5	23.2	390	5,12	PEXP254T-15-2	M5	\$2,812.22
	1800	208-230/460	254T	XP-1	92.4	38.7-35/17.5	24.95	425	5,12	PEXP254T-15-4	M5	\$2,812.22
	1200	208-230/460	284T	XP-1	91.7	50.4-45.6/22.8	26.6	529	5,12	PEXP284T-15-6	M5	\$3,676.50
20	3600	208-230/460	256T	XP-1	91.0	50.4-45.6/22.8	25	396	5,12	PEXP256T-20-2	M5	\$3,086.58
	1800	208-230/460	256T	XP-1	93.0	50.9-46/23	25	423	5,12	PEXP256T-20-4	M5	\$3,210.04
	1200	208-230/460	286T	XP-1	91.7	52-47/23.5	28.54	558	5,12	PEXP286T-20-6	M5	\$4,462.96
25	3600	208-230/460	284TS	XP-1	91.7	60.8-55/27.5	27.17	526	5,12	PEXP284TS-25-2	M5	\$3,662.94
	1800	208-230/460	284T	XP-1	93.6	60.8-55/27.5	28.54	575	5,12	PEXP284T-25-4	M5	\$3,720.80
	1200	208-230/460	324T	XP-1	93.0	64.1-58/29	31.75	685	5,12	PEXP324T-25-6	M5	\$5,024.87
30	3600	208-230/460	286TS	XP-1	91.7	71.9-65/32.5	27.17	540	5,12	PEXP286TS-30-2	M5	\$4,379.56
	1800	208-230/460	286T	XP-1	93.6	71.9-65/32.5	28.54	586	5,12	PEXP286T-30-4	M5	\$4,223.74
	1200	208-230/460	326T	XP-1	93.0	76.3-69/34.5	31.75	727	5,12	PEXP326T-30-6	M5	\$6,262.20
40	3600	208-230/460	324TS	XP-1	92.4	98.4-89/44.5	30.27	707	5,12	PEXP324TS-40-2	M5	\$5,149.54
	1800	208-230/460	324T	XP-1	94.1	98.4-89/44.5	31.75	764	5,12	PEXP324T-40-4	M5	\$5,429.91
	1200	208-230/460	364T	XP-1	94.1	101.7-92/46	34.84	967	5,12	PEXP364T-40-6	M5	\$7,441.66
50	3600	208-230/460	326TS	XP-1	93.0	119.4-108/54	30.27	771	5,12	PEXP326TS-50-2	M5	\$6,934.28
	1800	208-230/460	326T	XP-1	94.5	121.6-110/55	31.75	784	5,12	PEXP326T-50-4	M5	\$6,578.22
	1200	208-230/460	365T	XP-1	94.1	125-113/56.5	37.7	1003	5,12	PEXP365T-50-6	M5	\$8,291.72
60	3600	208-230/460	364TS	XP-1	93.6	144.9-131/65.5	32.7	978	5,12	PEXP364TS-60-2	M5	\$7,753.18
	1800	208-230/460	364T	XP-1	95.0	147.1-133/66.5	34.84	1036	5,12	PEXP364T-60-4	M5	\$8,082.53
	1200	208-230/460	404T	XP-1	94.5	152.6-138/69	38.58	1311	5,12	PEXP404T-60-6	M5	\$10,299.02
75	3600	208-230/460	365TS	XP-1	93.6	186.9-169/84.5	35.55	983	5,12	PEXP365TS-75-2	M5	\$10,031.98
	1800	208-230/460	365T	XP-1	95.4	191.3-173/86.5	37.7	1080	5,12	PEXP365T-75-4	M5	\$9,181.87
	1200	208-230/460	405T	XP-1	94.5	185.8-168/84	38.58	1322	5,12	PEXP405T-75-6	M5	\$11,772.24
100	3600	208-230/460	405TS	XP-1	94.1	240.6-217.6/108.8	35.63	1310	5,12	PEXP405TS-100-2	M5	\$11,772.24
	1800	208-230/460	405T	XP-1	95.4	242.2-219/109.5	38.58	1203	5,12	PEXP405T-100-4	M5	\$11,838.99
	1200	460	444T	XP-1	95.0	117	46.15	1898	5,12	PEXP444T-100-6	M5	\$16,463.32
125	3600	460	444TS	XP-1	95.0	130	42.4	1884	5,12,25	PEXP444TS-125-2	M5	\$14,723.06
	1800	460	444T	XP-1	95.4	133	46.15	2083	5,12,25	PEXP444T-125-4	M5	\$14,838.78
	1200	460	445T	XP-1	95.0	135	46.15	1995	5,12,25	PEXP445T-125-6	M5	\$20,638.14
150	3600	460	445TS	XP-1	95.0	160	42.4	1906	5,12,25	PEXP445TS-150-2	M5	\$20,580.27
	1800	460	445T	XP-1	95.8	162.5	46.15	2072	5,12,25	PEXP445T-150-4	M5	\$22,284.89
	1200	460	447T	XP-1	95.8	166	55.31	2580	5,12,25	PEXP447T-150-6	M5	\$25,934.50
200	3600	460	447TS	XP-1	95.4	213.5	51.38	2204	5,25	PEXP447TS-200-2	M5	\$25,947.88
	1800	460	447T	XP-1	96.2	217	55.31	2654	5,25	PEXP447T-200-4	M5	\$25,947.88
	1200	460	449T	XP-1	95.8	227.5	55.31	2744	5,25	PEXP449T-200-6	M5	\$29,904.57
250	3600	460	449TS	XP-1	95.8	262	51.38	2504	5,25	PEXP449TS-250-2	M5	\$29,280.03
	1800	460	449T	XP-1	96.2	268	55.31	2680	5,25	PEXP449T-250-4	M5	\$28,416.82

\* Notes:

- 5. C-Flange conversion kits (see pg. 66)
- 12. Ball bearing on drive end

25. 460V only

Performance Data on p. 90  
Dimensions on p. 129-130  
Warranty on p. 145



**Phases and HP:** 3-Phase, 1–200 HP

**Inverter rated:** (10:1 VT; 5:1 CT)

**Enclosure:** Totally enclosed explosion proof (TEXP)

**Frame:** 143TC–449TC



GENERAL PURPOSE MOTORS

SPECIAL PURPOSE MOTORS

ACCESSORIES

APPENDIX

# Explosion Proof C-Flange w/Feet Cast Iron

UP TO  
200 HP IN  
STOCK!



## Standard Features/Specifications

### Performance and convenience

- Service factor: 1.15 @ 60 Hz; 1.0 @ 50 Hz
- NEMA Design B Performance
- F1/F2 reversible
- Dual-drilled feet for mounting flexibility
- Lifting provisions

### Reliability

- Sealed bearings
- 2-year warranty

### Protection

- Class F insulation system; Class B rise at full load; Class H vacuum pressure impregnation (VPI) resin for all windings
- Stainless steel nameplate and zinc plated hardware, corrosion resistant epoxy paint
- IP55 protection
- Cast iron frame construction

### Ratings

- NEMA MG- 1, Table 12-12
- 143-215T frame: Class I, Div. I, Groups C, D and Class II, Div. I, Groups F, G:
  - T3C, w/ ambient temp rating: -20°C to 55°C @ 1.15 SF
  - T3C w/ ambient temp rating: -20°C to 40°C @ 1.0 SF for Inverter Duty
- 254-449T frame: Class I, Div. I, Groups C, D:
  - T3C, w/ ambient temp rating: -20°C to 40°C @ 1.15 SF for Inverter Duty
  - T2B, w/ ambient temp rating: 20°C to 55°C @ 1.15 SF, or 1.0 SF for Inverter Duty
- Class II, Div. I, Groups F, G:
  - T3C, w/ ambient temp rating: -20°C to 40°C @ 1.15 SF, or 1.0 SF for Inverter Duty
- Dual voltage ratings suitable for part wind start on lower voltage

### Applications

- Pumps
- Fans
- Blowers
- Compressors
- Material handling equipment
- Other industrial and commercial machinery
- Damp, dusty or dirty environments
- Hazardous locations as defined by class and group
- Suitable for use with variable frequency drives

HP	RPM	Volts	Frame	Flange	Full Load % Efficiency	Full Load Amps	"C" Dim (in.)	Weight (lbs.)	Notes *	Model Number	Mult. Symbol	List Price
1	1800	208-230/460	143TC	XP-1	85.5	3-2.7/1.35	12.6	92	12,26	PEXP143TC-1-4	M5	\$838.38
	1200	208-230/460	145TC	XP-1	82.5	3.6-3.3/1.65	14.6	85	12,26	PEXP145TC-1-6	M5	\$923.12
1.5	3600	208-230/460	143TC	XP-1	84.0	4.1-3.7/1.85	12.6	88	12,26	PEXP143TC-1.5-2	M5	\$857.19
	1800	208-230/460	145TC	XP-1	86.5	4.3-3.9/1.95	14.6	92	12,26	PEXP145TC-1.5-4	M5	\$923.12
2	1200	208-230/460	182TC	XP-1	87.5	4.6-4.1/2.07	16.1	138	12,26	PEXP182TC-1.5-6	M5	\$1,050.28
	3600	208-230/460	145TC	XP-1	85.5	5.5-5/2.5	14.6	88	12,26	PEXP145TC-2-2	M5	\$956.09
	1800	208-230/460	145TC	XP-1	86.5	5.8-5.2/2.6	14.6	90	12,26	PEXP145TC-2-4	M5	\$1,050.28
	1200	208-230/460	184TC	XP-1	88.5	6.2-5.6/2.8	17.1	149	12	PEXP184TC-2-6	M5	\$1,328.17
3	3600	208-230/460	182TC	XP-1	86.5	7.7-7/3.5	16.1	140	12,26	PEXP182TC-3-2	M5	\$1,215.17
	1800	208-230/460	182TC	XP-1	89.5	8.4-7.6/3.8	16.1	149	12,26	PEXP182TC-3-4	M5	\$1,276.41
	1200	208-230/460	213TC	XP-1	89.5	8.7-7.9/3.95	18.9	251	12	PEXP213TC-3-6	M5	\$1,563.70

**\* Notes:**

12. Ball bearing on drive end  
25. 460V only

26. Suitable for part wind start at 208-230V

Performance Data on p. 91  
Dimensions on p. 131-132  
Warranty on p. 145



Phases and HP: 3-Phase, 1–200 HP

Inverter rated: (10:1 VT; 5:1 CT)

Enclosure: Totally enclosed explosion proof (TEXP)

Frame: 143TC–449TC



**NEMA**  
Premium

**ISO9001**  
CERTIFIED



## Explosion Proof — C-Flange w/Feet — Cast Iron

HP	RPM	Volts	Frame	Flange	Full Load % Efficiency	Full Load Amps	"C" Dim (in.)	Weight (lbs.)	Notes *	Model Number	Mult. Symbol	List Price
5	3600	208-230/460	184TC	XP-1	88.5	13.3-12/6	17.1	140	12	PEXP184TC-5-2	M5	\$1,511.88
	1800	208-230/460	184TC	XP-1	89.5	15.5-14/7	17.1	152	12	PEXP184TC-5-4	M5	\$1,511.88
	1200	208-230/460	215TC	XP-1	89.5	16.6-15/7.5	20.4	259	12	PEXP215TC-5-6	M5	\$2,072.36
7.5	3600	208-230/460	213TC	XP-1	89.5	18.4-16.6/8.3	18.9	251	12	PEXP213TC-7.5-2	M5	\$1,785.06
	1800	208-230/460	213TC	XP-1	91.7	19.7-17.8/8.9	18.9	268	12	PEXP213TC-7.5-4	M5	\$1,978.17
	1200	208-230/460	254TC	XP-1	91.0	27.6-25/12.5	23.2	405	12	PEXP254TC-7.5-6	M5	\$2,350.25
10	3600	208-230/460	215TC	XP-1	90.2	25.4-23/11.5	20.4	255	12	PEXP215TC-10-2	M5	\$2,067.66
	1800	208-230/460	215TC	XP-1	91.7	27-24.4/12.2	20.4	272	12	PEXP215TC-10-4	M5	\$2,133.59
	1200	208-230/460	256TC	XP-1	91.0	27.6-25/12.5	25	389	12	PEXP256TC-10-6	M5	\$2,910.74
15	3600	208-230/460	254TC	XP-1	91.0	36.5-33/16.5	23.2	394	12	PEXP254TC-15-2	M5	\$2,896.59
	1800	208-230/460	254TC	XP-1	92.4	38.7-35/17.5	24.95	429	12	PEXP254TC-15-4	M5	\$2,896.59
	1200	208-230/460	284TC	XP-1	91.7	50.4-45.6/22.8	26.6	540	12	PEXP284TC-15-6	M5	\$3,786.80
20	3600	208-230/460	256TC	XP-1	91.0	50.4-45.6/22.8	25	400	12	PEXP256TC-20-2	M5	\$3,179.18
	1800	208-230/460	256TC	XP-1	93.0	50.9-46/23	25	427	12	PEXP256TC-20-4	M5	\$3,306.34
	1200	208-230/460	286TC	XP-1	91.7	52-47/23.5	28.1	568	12	PEXP286TC-20-6	M5	\$4,596.85
25	3600	208-230/460	284TSC	XP-1	91.7	60.8-55/27.5	27.17	538	12	PEXP284TSC-25-2	M5	\$3,772.83
	1800	208-230/460	284TC	XP-1	93.6	60.8-55/27.5	26.6	584	12	PEXP284TC-25-4	M5	\$3,832.43
	1200	208-230/460	324TC	XP-1	93.0	64.1-58/29	29.8	694	12	PEXP324TC-25-6	M5	\$5,175.62
30	3600	208-230/460	286TSC	XP-1	91.7	71.9-65/32.5	27.17	555	12	PEXP286TSC-30-2	M5	\$4,510.94
	1800	208-230/460	286TC	XP-1	93.6	71.9-65/32.5	28.1	593	12	PEXP286TC-30-4	M5	\$4,350.45
	1200	208-230/460	326TC	XP-1	93.0	76.3-69/34.5	31.3	743	12	PEXP326TC-30-6	M5	\$6,450.06
40	3600	208-230/460	324TSC	XP-1	92.4	98.4-89/44.5	30.27	718	12	PEXP324TSC-40-2	M5	\$5,304.02
	1800	208-230/460	324TC	XP-1	94.1	98.4-89/44.5	29.8	784	12	PEXP324TC-40-4	M5	\$5,592.81
	1200	208-230/460	364TC	XP-1	94.1	101.7-92/46	34.84	981	12	PEXP364TC-40-6	M5	\$7,664.91
50	3600	208-230/460	326TSC	XP-1	93.0	119.4-108/54	30.27	790	12	PEXP326TSC-50-2	M5	\$7,142.31
	1800	208-230/460	326TC	XP-1	94.5	121.6-110/55	31.3	800	12	PEXP326TC-50-4	M5	\$6,775.57
	1200	208-230/460	365TC	XP-1	94.1	125-113/56.5	37.7	1030	12	PEXP365TC-50-6	M5	\$8,540.47
60	3600	208-230/460	364TSC	XP-1	93.6	144.9-131/65.5	32.7	1008	12	PEXP364TSC-60-2	M5	\$7,985.78
	1800	208-230/460	364TC	XP-1	95.0	147.1-133/66.5	34.84	1066	12	PEXP364TC-60-4	M5	\$8,325.01
	1200	208-230/460	404TC	XP-1	94.5	152.6-138/69	38.58	1320	12	PEXP404TC-60-6	M5	\$10,607.99
75	3600	208-230/460	365TSC	XP-1	93.6	186.9-169/84.5	35.55	1009	12	PEXP365TSC-75-2	M5	\$10,332.94
	1800	208-230/460	365TC	XP-1	95.4	191.3-173/86.5	37.7	1100	12	PEXP365TC-75-4	M5	\$9,457.32
	1200	208-230/460	405TC	XP-1	94.5	185.8-168/84	38.58	1330	12	PEXP405TC-75-6	M5	\$12,125.41
100	3600	208-230/460	405TSC	XP-1	94.1	240.6-217.6/108.8	35.63	1322	12	PEXP405TSC-100-2	M5	\$12,125.41
	1800	208-230/460	405TC	XP-1	95.4	242.2-219/109.5	38.58	1213	12	PEXP405TC-100-4	M5	\$12,194.16
	1200	460	444TC	XP-1	95.0	117	44.3	1905	12,25	PEXP444TC-100-6	M5	\$16,957.22
125	3600	460	444TSC	XP-1	95.0	130	40.6	1894	12,25	PEXP444TSC-125-2	M5	\$15,164.75
	1800	460	444TC	XP-1	95.4	133	44.3	2092	12,25	PEXP444TC-125-4	M5	\$15,283.95
	1200	460	445TC	XP-1	95.0	135	44.3	2005	12,25	PEXP445TC-125-6	M5	\$21,257.28
150	3600	460	445TSC	XP-1	95.0	160	40.6	1929	12,25	PEXP445TSC-150-2	M5	\$21,197.68
	1800	460	445TC	XP-1	95.8	162.5	44.3	2083	12,25	PEXP445TC-150-4	M5	\$22,953.43
	1200	460	447TC	XP-1	95.8	166	47.8	2590	12,25	PEXP447TC-150-6	M5	\$26,712.53
200	3600	460	447TSC	XP-1	95.4	213.5	44.1	2213	25	PEXP447TSC-200-2	M5	\$26,726.32
	1800	460	447TC	XP-1	96.2	217	47.8	2664	25	PEXP447TC-200-4	M5	\$26,726.32
	1200	460	449TC	XP-1	95.8	227.5	52.8	2755	25	PEXP449TC-200-6	M5	\$30,801.71
250	3600	460	449TSC	XP-1	95.8	262	49.1	2513	25	PEXP449TSC-250-2	M5	\$30,158.43
	1800	460	449TC	XP-1	96.2	268	52.8	2689	25	PEXP449TC-250-4	M5	\$29,269.32

\* Notes:

12. Ball bearing on drive end

25. 460V only

Performance Data on p. 91

Dimensions on p. 131-132

Warranty on p. 145



**Phases and HP:** 3-Phase, 2–150 HP  
**Enclosure:** Totally enclosed fan cooled (TEFC)  
**Frame:** 184T–449T

**Inverter duty:** (20:1 VT; 10:1 CT)



GENERAL PURPOSE MOTORS

SPECIAL PURPOSE MOTORS

ACCESSORIES

APPENDIX

# Oil Well Pump

## Cast Iron



## Standard Features/Specifications

### Performance and convenience

- Service factor: 1.15 @ 60 Hz
- NEMA Design D Performance
- High torque/high slip (5-8%)
- Lifting provisions on 213T frame and above

### Reliability

- Double shielded bearings
- 3-year warranty (extended warranty available)

### Protection

- Class F insulation system; Class B rise at full load; Class H vacuum pressure impregnation (VPI) resin for all windings
- Stainless steel nameplate and zinc plated hardware, corrosion resistant epoxy paint
- IP55 protection
- Thermistors in the windings
- Condensation drains with plugs
- Cast iron frame construction

### Ratings

- 40° C ambient continuous duty
- Dual voltage ratings suitable for part wind start on 230V
- Windings rated for 2200V peak voltage spikes

### Applications

- Oil well pumping units
- Suitable for use with variable frequency drives

### Options

- BPK Shaft grounding kits available upon request. See page 65

HP	RPM	Volts	Frame	Flange	Full Load % Efficiency	Full Load Amps	"C" Dim (in.)	Weight (lbs.)	Notes *	Model Number	Mult. Symbol	List Price
2	900	230/460/796	184T	--	75.0	8.4/4.2/2.4	16.1	83	--	OWP184T-2-8	M6	\$794.16
	1200	230/460/796	184T	--	78.5	7/3.5/2	16.1	87	--	OWP184T-2-6	M6	\$719.46
3	900	230/460/796	215T	--	80.0	10/5/2.9	20.4	123	--	OWP215T-3-8	M6	\$1,088.36
	1200	230/460/796	213T	--	79.0	10.0/5.0/2.9	18.9	130	--	OWP213T-3-6	M6	\$750.70
5	900	230/460/796	254T	--	81.5	18/9/5.2	23.2	191	--	OWP254T-5-8	M6	\$1,353.01
	1200	230/460/796	215T	--	83.5	15.0/7.5/4.3	20.4	156	--	OWP215T-5-6	M6	\$908.88
7.5	900	230/460/796	256T	--	82.5	25/12.5/7.2	25	235	--	OWP256T-7.5-8	M6	\$1,647.11
	1200	230/460/796	254T	--	84.5	21.6/10.8/6.2	23.2	220	--	OWP254T-7.5-6	M6	\$1,358.03
10	900	230/460/796	284T	--	84.0	33/16.5/9.5	26.6	283	--	OWP284T-10-8	M6	\$2,176.57
	1200	230/460/796	256T	--	85.0	28.8/14.4/8.3	25	249	--	OWP256T-10-6	M6	\$1,535.32
15	900	230/460/796	286T	--	85.5	47/23.5/13.5	28.1	337	--	OWP286T-15-8	M6	\$2,529.52
	1200	230/460/796	284T	--	85.5	40.0/20.0/11.6	26.6	341	--	OWP284T-15-6	M6	\$2,082.41
20	900	230/460/796	324T	--	87.5	62/31/18	29.8	451	--	OWP324T-20-8	M6	\$3,235.43
	1200	230/460/796	286T	--	86.0	53.0/26.5/15.3	28.1	403	--	OWP286T-20-6	M6	\$2,414.50
25	900	230/460/796	326T	--	87.5	75/37.5/21.5	31.3	493	--	OWP326T-25-8	M6	\$3,438.70
	1200	230/460/796	324T	--	86.0	64.4/32.2/18.6	29.8	510	--	OWP324T-25-6	M6	\$2,789.14
30	900	230/460/796	364T	--	87.5	90/45/26	32.5	629	--	OWP364T-30-8	M6	\$4,584.87
	1200	230/460/796	326T	--	86.5	77.0/38.5/22.2	31.3	572	--	OWP326T-30-6	M6	\$3,146.31
40	900	230/460/796	365T	--	87.5	116/58/33.5	33.5	710	--	OWP365T-40-8	M6	\$4,871.45
	1200	230/460/796	365T	--	87.5	98.0/49.0/28.3	33.5	733	--	OWP365T-40-6	M6	\$4,294.95

Performance Data on p. 92  
 Dimensions on p. 133  
 Warranty on p. 145



Phases and HP: 3-Phase, 2–150 HP

Inverter duty: (20:1 VT; 10:1 CT)

Enclosure: Totally enclosed fan cooled (TEFC)

Frame: 184T–449T



## Oil Well Pump — Cast Iron

HP	RPM	Volts	Frame	Flange	Full Load % Efficiency	Full Load Amps	"C" Dim (in.)	Weight (lbs.)	Notes *	Model Number	Mult. Symbol	List Price
50	900	230/460/796	404T	--	88.5	134/67/39	36.5	895	--	OWP404T-50-8	M6	\$6,304.29
	1200	230/460/796	404T	--	87.5	122/61.0/35.3	36.5	911	--	OWP404T-50-6	M6	\$5,703.84
60	900	230/460/796	405T	--	89.5	160/80/46	38	1025	--	OWP405T-60-8	M6	\$7,737.13
	1200	230/460/796	405T	--	88.0	148/74.0/42.8	38	1001	--	OWP405T-60-6	M6	\$5,795.63
75	900	230/460/796	444T	--	91.7	191/95.5/55	44.3	1328	--	OWP444T-75-8	M6	\$12,321.90
	1200	230/460/796	444T	--	90.0	178/89.0/51.4	44.3	1258	--	OWP444T-75-6	M6	\$7,283.00
100	900	230/460/796	445T	--	91.7	250/125/72	44.3	1614	--	OWP445T-100-8	M6	\$12,837.68
	1200	230/460/796	445T	--	90.5	234/117/67.6	44.3	1390	--	OWP445T-100-6	M6	\$9,076.89
125	1200	460/796	447T	--	92.5	147/84.9	47.8	1850	--	OWP447T-125-6	M6	\$14,436.87
150	1200	460/796	449T	--	93.2	180/104	52.8	1980	--	OWP449T-150-6	M6	\$15,038.38

**Phases and HP:** 3-Phase, 7.5–100 HP

**Enclosure:** Open Drip Proof (ODP)

**Frame:** 254T–444T

**Inverter duty:** (20:1 VT; 10:1 CT)



GENERAL PURPOSE MOTORS

SPECIAL PURPOSE MOTORS

ACCESSORIES

APPENDIX

# Oil Well Pump

## Cast Iron



## Standard Features/Specifications

### Performance and convenience

- Service factor: 1.15 @ 60 Hz
- NEMA Design D Performance
- High torque/high slip (5-8%)
- Lifting provisions

### Reliability

- Regreasable open bearings
- Mechanical oil seal on both ends
- 2-year warranty (extended warranty available)

### Protection

- Class F insulation system; Class B rise at full load; Class H vacuum pressure impregnation (VPI) resin for all windings
- Stainless steel nameplate and zinc plated hardware, corrosion resistant epoxy paint
- IP23 protection
- Thermistors in the windings
- Condensation drains with plugs
- Cast iron frame construction

### Ratings

- 40° C ambient continuous duty
- Dual voltage ratings suitable for part wind start on 230V
- Windings rated for 2200V peak voltage spikes

### Applications

- Oil well pumping units
- Suitable for use with variable frequency drives

### Options

- BPK Shaft grounding kits available upon request. See page 65

HP	RPM	Volts	Frame	Flange	Full Load % Efficiency	Full Load Amps	"C" Dim (in.)	Weight (lbs.)	Notes *	Model Number	Mult. Symbol	List Price
7.5	1200	230/460/796	254T	--	78.5	29.0/14.5/8.4	22.2	217	--	OWP254T-7.5-6-ODP	M6	\$1,251.75
10	1200	230/460/796	256T	--	81.5	36.0/18.0/10.4	22.2	238	--	OWP256T-10-6-ODP	M6	\$1,414.79
15	1200	230/460/796	284T	--	82.5	44.0/22.0/12.7	24.8	341	--	OWP284T-15-6-ODP	M6	\$1,917.73
20	1200	230/460/796	286T	--	85.5	56.0/28.0/16.2	24.8	370	--	OWP286T-20-6-ODP	M6	\$2,335.49
25	1200	230/460/796	324T	--	86.5	68.0/34.0/19.6	27.1	466	--	OWP324T-25-6-ODP	M6	\$2,570.45
30	1200	230/460/796	326T	--	86.5	82.0/41.0/23.7	27.1	488	--	OWP326T-30-6-ODP	M6	\$3,043.21
40	1200	230/460/796	365T	--	87.5	112/56.0/32.4	29.3	660	--	OWP365T-40-6-ODP	M6	\$3,960.23
50	1200	230/460/796	404T	--	88.5	128/64.0/37.0	33.3	878	--	OWP404T-50-6-ODP	M6	\$5,261.23
60	1200	230/460/796	405T	--	88.5	152/76.0/43.9	33.3	911	--	OWP405T-60-6-ODP	M6	\$5,338.55
75	1200	230/460/796	405T	--	89.5	183/91.5/52.9	22.3	963	--	OWP405T-75-6-ODP	M6	\$7,181.15
100	1200	230/460/796	444T	--	90.2	248/124/71.7	39.5	1576	--	OWP444T-100-6-ODP	M6	\$9,313.05

Performance Data on p. 93  
 Dimensions on p. 134  
 Warranty on p. 145





**Phases and HP:** 3-Phase, 10–500 HP  
**Enclosure:** Open weather-protected  
**Machine Type** 1–WP1

**Frame:** 215TP–5008P  
**Inverter rated:** (10:1 VT)  
**High/ Extra High Thrust**



# VHS-V1 Series

## Cast Iron/Plate Steel

### Standard Features/Specifications

#### Performance and convenience

- Service factor: 1.15 @ 60 Hz
- NEMA Design B Performance
- High/ Extra High Thrust
- Oil bath with large reservoir (40-500 HP)
- Light weight hood for easy access lifting provisions

#### Reliability

- Oversized angular contact bearing and ball bearing
- High thrust (10 HP–250 HP)
- Extra high thrust/ double stacked bearing available (100-500 HP)
- Non-reverse ratchet (ball type)
- 2-year warranty (extended p± p” Ø”and

#### Protection

- Class F insulation system; Class B rise at full load; Class H vacuum pressure impregnation (VPI) resin for all windings
- Stainless steel nameplate and zinc plated hardware, corrosion resistant epoxy paint
- Enclosure: WP1-open weather-protected machine type 1
- Cast iron/ plate steel frame construction
- Space heater
- Resistance temperature detector (RTD) (300-500 HP)
- Thermal protected

#### Ratings

- 40° C ambient continuous duty
- Dual voltage ratings suitable for part wind start on 230V; single voltage ratings are suitable for part wind start at 230V
- Windings rated for 1600V peak voltage spike

#### Applications

- Deep well turbine pump applications
- Coupling equipped with a non-reverse ratchet, which prevents motor rotation from backspin at shutdown
- Motors are built to NEMA standards
- Special bearing arrangements to carry heavy thrust loads
- Suitable for use with variable frequency drives

#### Options

- Parts and accessories available<sup>30</sup>

HP	RPM	Volts	Frame	Flange	Full Load % Efficiency	Full Load Amps	“CD” Dim (in.)	“BD” Dim (in.)	DN Thrust	“BX” Dim (in.)	SQ Key (EW)	Weight (lbs.)	Notes *	Model Number	Mult. Symbol	List Price
10	1800	230/460	215TP	VHS	91.7	24.4/12.2	17.6	10	2500	1	0.25	366	26	V1-10D4-W21510A	M3	\$3,240.03
15	1800	230/460	254TP	VHS	93.0	34.6/17.3	23.4	10	3200	1	0.25	493	26	V1-15D4-W25410A	M3	\$3,950.18
20	1800	230/460	256TP	VHS	93.0	47/23.5	23.4	10	3200	1	0.25	510	26	V1-20D4-W25610A	M3	\$4,127.71
25	1800	230/460	284TP	VHS	93.6	57.6/28.8	24.8	10	3200	1	0.25	554	26	V1-25D4-W28410A	M3	\$4,255.20
		230/460	284TP	VHS	93.6	57.6/28.8	24.8	10	3200	1.19	0.25	554	26	V1-25D4-W28410B	M3	\$4,255.20
30	1800	230/460	286TP	VHS	94.1	68.2/34.1	24.8	10	3200	1	0.25	572	26	V1-30D4-W28610A	M3	\$4,514.40
		230/460	286TP	VHS	94.1	68.2/34.1	24.8	10	3200	1.19	0.25	572	26	V1-30D4-W28610B	M3	\$4,514.40
40	1800	230/460	324TP	VHS	94.1	92/46	28.2	16.5	5500	1.25	0.25	780	26	V1-40D4-W32416A	M3	\$6,112.80
		230/460	324TP	VHS	94.1	92/46	28.2	16.5	5500	1.19	0.25	780	26	V1-40D4-W32416B	M3	\$6,112.80
		460	324TP	VHS	94.1	46	28.2	16.5	5500	1.25	0.25	780	27	V1-40S4-W32416A	M3	\$6,112.80
		460	324TP	VHS	94.1	46	28.2	16.5	5500	1.19	0.25	780	26	V1-40S4-W32416B	M3	\$6,112.80

\* Notes:  
 26. Suitable for part wind start at 230V  
 27. Suitable for part wind start at 460V  
 28. Zinc Plate Steel Frame Construction

29. Extra High Thrust, Double Stacked Bearing Design  
 30. Please reference pp. 60-61 for parts and accessories, or contact us at 800-884-0404 for assistance.

Performance Data on p. 94  
 Dimensions on p. 135  
 Warranty on p. 145



Phases and HP: 3-Phase, 10–500 HP  
 Enclosure: Open weather-protected  
 Machine Type 1–WP1

Frame: 215TP–5008P  
 Inverter rated: (10:1 VT)  
 High/ Extra High Thrust



GENERAL PURPOSE MOTORS

SPECIAL PURPOSE MOTORS

ACCESSORIES

APPENDIX

## VHS-V1 Series — Cast Iron/Plate Steel

HP	RPM	Volts	Frame	Flange	Full Load % Efficiency	Full Load Amps	“CD” Dim (in.)	“BD” Dim (in.)	DN Thrust	“BX” Dim (in.)	SQ Key (EW)	Weight (lbs.)	Notes *	Model Number	Mult. Symbol	List Price
50	1800	230/460	326TP	VHS	94.5	112.8/56.4	28.2	16.5	5500	1.25	0.25	811	26	V1-50D4-W32616A	M3	\$6,609.60
		230/460	326TP	VHS	94.5	112.8/56.4	28.2	16.5	5500	1.19	0.25	811	26	V1-50D4-W32616B	M3	\$6,609.60
		460	326TP	VHS	94.5	56.4	28.2	16.5	5500	1.25	0.25	811	27	V1-50S4-W32616A	M3	\$6,609.60
		460	326TP	VHS	94.5	56.4	28.2	16.5	5500	1.19	0.25	811	28	V1-50S4-W32616B	M3	\$6,609.60
60	1800	230/460	364TP	VHS	95.0	136.6/68.3	31.2	16.5	5600	1.25	0.25	1024	26	V1-60D4-W36416A	M3	\$7,992.00
		230/460	364TP	VHS	95.0	136.6/68.3	31.2	16.5	5600	1.19	0.25	1024	26	V1-60D4-W36416B	M3	\$7,992.00
		460	364TP	VHS	95.0	68.3	31.2	16.5	5600	1.25	0.25	1024	27	V1-60S4-W36416A	M3	\$7,992.00
		460	364TP	VHS	95.0	68.3	31.2	16.5	5600	1.19	0.25	1024	27	V1-60S4-W36416B	M3	\$7,992.00
75	1800	230/460	365TP	VHS	95.0	170/85	31.2	16.5	5600	1.25	0.25	1053	26	V1-75D4-W36516A	M3	\$8,618.40
		230/460	365TP	VHS	95.0	170/85	31.2	16.5	5600	1.19	0.25	1053	26	V1-75D4-W36516B	M3	\$8,618.40
		460	365TP	VHS	95.0	85	31.2	16.5	5600	1.25	0.25	1053	27	V1-75S4-W36516A	M3	\$8,618.40
		460	365TP	VHS	95.0	85	31.2	16.5	5600	1.19	0.25	1053	27	V1-75S4-W36516B	M3	\$8,618.40
100	1800	230/460	404TP	VHS	95.4	224/112	36.9	16.5	6700	1.5	0.38	1473	26	V1-100D4-W40416A	M3	\$11,340.00
		230/460	404TP	VHS	95.4	224/112	36.9	16.5	6700	1.19	0.25	1473	26	V1-100D4-W40416B	M3	\$11,340.00
		460	404TP	VHS	95.4	112	36.9	16.5	13400	1.5	0.38	1473	27,29	V1-100S4-W40416A-EHT	M3	\$12,133.80
		460	404TP	VHS	95.4	112	36.9	16.5	6700	1.5	0.38	1473	27	V1-100S4-W40416A	M3	\$11,340.00
125	1800	460	405TP	VHS	95.4	139	36.9	16.5	13400	1.5	0.38	1513	27,29	V1-125S4-W40516A-EHT	M3	\$13,035.17
150	1800	460	444TP	VHS	95.8	165	44.8	16.5	14400	1.69	0.38	1984	27,29	V1-150S4-W44416A-EHT	M3	\$16,899.49
200	1800	460	445TP	VHS	95.8	221	44.8	16.5	14400	1.69	0.38	2099	27,29	V1-200S4-W44516A-EHT-14	M3	\$21,263.04
		460	445TP	VHS	95.8	221	44.8	16.5	19000	1.69	0.38	2099	27,29	V1-200S4-W44516A-EHT-19	M3	\$24,503.04
250	1800	460	445TP	VHS	95.8	276	44.8	16.5	14400	1.94	0.5	2206	27,29,34	V1-250S4-W44516A-EHT-14	M3	\$24,063.19
		460	445TP	VHS	95.8	276	44.8	16.5	19000	1.94	0.5	2206	27,29,34	V1-250S4-W44516A-EHT-19	M3	\$27,370.39
400	1800	460	5008P	VHS	95.8	437	53.9	24.5	24000	1.94	0.5	3955	27,28,29	V1-400S4-W500824A-EHT	M3	\$45,000.00



V1 Series – Inverter Rated (10:1 VT)



Lightweight Hood



Oil Plug



Sight Gauge

\* Notes:

- 26. Suitable for part wind start at 230V
- 27. Suitable for part wind start at 460V
- 28. Zinc Plate Steel Frame Construction

- 29. Extra High Thrust, Double Stacked Bearing Design
- 30. Please reference pp. 60-61 for parts and accessories, or contact us at 800-884-0404 for assistance.

Performance Data on p. 94

- Dimensions on p. 135
- Warranty on p. 145



**Phases and HP:** 3-Phase, 10–500 HP  
**Enclosure:** Open weather-protected  
**Machine Type 1–WP1**

**Frame:** 215TP–5008P  
**Inverter duty:** (20:1 VT)  
**High/ Extra High Thrust**



# VHS-V2Series

## Cast Iron/Plate Steel



## Standard Features/Specifications

### Performance and convenience

- Service factor: 1.15 @ 60 Hz
- NEMA Design B Performance
- High/ Extra High Thrust
- Oil bath with large reservoir (40-500 HP)
- Light weight hood for easy access lifting provisions

### Reliability

- Oversized angular contact bearing and ball bearing
- High thrust (10 HP–250 HP)
- Extra high thrust/ double stacked bearing available (100-500 HP)
- Non-reverse ratchet (ball type)
- 2-year warranty

### Protection

- Class F insulation system; Class B rise at full load; Class H vacuum pressure impregnation (VPI) resin for all windings
- Stainless steel nameplate and zinc plated hardware, corrosion resistant epoxy paint
- Enclosure: WP1-open weather-protected machine type 1
- Cast iron/ plate steel frame construction
- Space heaters
- Resistance temperature detector (RTD) (300-500 HP)
- Thermal protected
- Insulated bearing mounts (40-500 HP)

### Ratings

- 40° C ambient continuous duty
- Dual voltage ratings suitable for part wind start on 230V; single voltage ratings are suitable for part wind start at 230V
- Inverter duty with windings rated for 2200V peak voltage spike

### Applications

- Deep well turbine pump applications
- Coupling equipped with a non-reverse ratchet, which prevents motor rotation from backspin at shutdown
- Motors are built to NEMA standards
- Special bearing arrangements to carry heavy thrust loads
- Suitable for use with variable frequency drives

### Options

- Parts and accessories available<sup>30</sup>

HP	RPM	Volts	Frame	Flange	Full Load % Efficiency	Full Load Amps	"CD" Dim (in.)	"BD" Dim (in.)	DN Thrust	"BX" Dim (in.)	SQ Key (EW)	Weight (lbs.)	Notes *	Model Number	Mult. Symbol	List Price
10	1800	230/460	215TP	VHS	91.7	24.4/12.2	17.6	10	2500	1	0.25	366	26	V2-10D4-W21510A	M3	\$3,402.03
15	1800	230/460	254TP	VHS	93.0	34.6/17.3	23.4	10	3200	1	0.25	493	26	V2-15D4-W25410A	M3	\$4,147.68
20	1800	230/460	256TP	VHS	93.0	47/23.5	23.4	10	3200	1	0.25	510	26	V2-20D4-W25610A	M3	\$4,334.10
25	1800	230/460	284TP	VHS	93.6	57.6/28.8	24.8	10	3200	1	0.25	554	26	V2-25D4-W28410A	M3	\$4,467.96
		230/460	284TP	VHS	93.6	57.6/28.8	24.8	10	3200	1.19	0.25	554	26	V2-25D4-W28410B	M3	\$4,467.96
30	1800	230/460	286TP	VHS	94.1	68.2/34.1	24.8	10	3200	1	0.25	572	26	V2-30D4-W28610A	M3	\$4,740.12
		230/460	286TP	VHS	94.1	68.2/34.1	24.8	10	3200	1.19	0.25	572	26	V2-30D4-W28610B	M3	\$4,740.12
40	1800	230/460	324TP	VHS	94.1	92/46	28.2	16.5	5500	1.25	0.25	780	26	V2-40D4-W32416A	M3	\$6,418.44
		230/460	324TP	VHS	94.1	92/46	28.2	16.5	5500	1.19	0.25	780	26	V2-40D4-W32416B	M3	\$6,418.44
		460	324TP	VHS	94.1	46	28.2	16.5	5500	1.25	0.25	780	27	V2-40S4-W32416A	M3	\$6,418.44
		460	324TP	VHS	94.1	46	28.2	16.5	5500	1.19	0.25	780	26	V2-40S4-W32416B	M3	\$6,418.44
		460	324TP	VHS	94.1	46	28.2	16.5	5500	1.19	0.25	780	26	V2-40S4-W32416B	M3	\$6,418.44

\* Notes:  
 26. Suitable for part wind start at 230V  
 27. Suitable for part wind start at 460V  
 28. Zinc Plate Steel Frame Construction

29. Extra High Thrust, Double Stacked Bearing Design  
 30. Please reference pp. 60-61 for parts and accessories, or contact us at 800-884-0404 for assistance.

Performance Data on p. 95  
 Dimensions on p. 136  
 Warranty on p. 145



Phases and HP: 3-Phase, 10–500 HP  
 Enclosure: Open weather-protected  
 Machine Type 1–WP1

Frame: 215TP–5008P  
 Inverter duty: (20:1 VT)  
 High/ Extra High Thrust



GENERAL PURPOSE MOTORS

SPECIAL PURPOSE MOTORS

ACCESSORIES

APPENDIX

## VHS-V2Series — Cast Iron/Plate Steel

HP	RPM	Volts	Frame	Flange	Full Load % Efficiency	Full Load Amps	“CD” Dim (in.)	“BD” Dim (in.)	DN Thrust	“BX” Dim (in.)	SQ Key (EW)	Weight (lbs.)	Notes *	Model Number	Mult. Symbol	List Price
50	1800	230/460	326TP	VHS	94.5	112.8/56.4	28.2	16.5	5500	1.25	0.25	811	26	V2-50D4-W32616A	M3	\$6,940.08
		230/460	326TP	VHS	94.5	112.8/56.4	28.2	16.5	5500	1.19	0.25	811	26	V2-50D4-W32616B	M3	\$6,940.08
		460	326TP	VHS	94.5	56.4	28.2	16.5	5500	1.25	0.25	811	27	V2-50S4-W32616A	M3	\$6,940.08
60	1800	230/460	364TP	VHS	95.0	136.6/68.3	31.2	16.5	5600	1.25	0.25	1024	26	V2-60D4-W36416A	M3	\$8,391.60
		230/460	364TP	VHS	95.0	136.6/68.3	31.2	16.5	5600	1.19	0.25	1024	26	V2-60D4-W36416B	M3	\$8,391.60
		460	364TP	VHS	95.0	68.3	31.2	16.5	5600	1.25	0.25	1024	27	V2-60S4-W36416A	M3	\$8,391.60
		460	364TP	VHS	95.0	68.3	31.2	16.5	5600	1.19	0.25	1024	27	V2-60S4-W36416B	M3	\$8,391.60
		460	364TP	VHS	95.0	68.3	31.2	16.5	5600	1.19	0.25	1024	27	V2-60S4-W36416B	M3	\$8,391.60
75	1800	230/460	365TP	VHS	95.0	170/85	31.2	16.5	5600	1.25	0.25	1053	26	V2-75D4-W36516A	M3	\$9,049.32
		230/460	365TP	VHS	95.0	170/85	31.2	16.5	5600	1.19	0.25	1053	26	V2-75D4-W36516B	M3	\$9,049.32
		460	365TP	VHS	95.0	85	31.2	16.5	5600	1.25	0.25	1053	27	V2-75S4-W36516A	M3	\$9,049.32
		460	365TP	VHS	95.0	85	31.2	16.5	5600	1.19	0.25	1053	27	V2-75S4-W36516B	M3	\$9,049.32
100	1800	230/460	404TP	VHS	95.4	224/112	36.9	16.5	6700	1.5	0.38	1473	26	V2-100D4-W40416A	M3	\$11,907.00
		230/460	404TP	VHS	95.4	224/112	36.9	16.5	6700	1.19	0.25	1473	26	V2-100D4-W40416B	M3	\$11,907.00
		460	404TP	VHS	95.4	112	36.9	16.5	13400	1.5	0.38	1473	27,29	V2-100S4-W40416A-EHT	M3	\$12,740.49
		460	404TP	VHS	95.4	112	36.9	16.5	6700	1.5	0.38	1473	27	V2-100S4-W40416A	M3	\$11,907.00
125	1800	460	405TP	VHS	95.4	139	36.9	16.5	13400	1.5	0.38	1513	27,29	V2-125S4-W40516A-EHT	M3	\$13,686.93
150	1800	460	444TP	VHS	95.8	165	44.8	16.5	14400	1.69	0.38	1984	27,29	V2-150S4-W44416A-EHT	M3	\$17,744.47
200	1800	460	445TP	VHS	95.8	221	44.8	16.5	14400	1.69	0.38	2099	27,29	V2-200S4-W44516A-EHT-14	M3	\$22,326.19
		460	445TP	VHS	95.8	221	44.8	16.5	19000	1.69	0.38	2099	27,29	V2-200S4-W44516A-EHT-19	M3	\$25,566.19
250	1800	460	445TP	VHS	95.8	276	44.8	16.5	14400	1.94	0.5	2206	27,29	V2-250S4-W44516A-EHT-14	M3	\$25,266.35
		460	445TP	VHS	95.8	276	44.8	16.5	19000	1.94	0.5	2206	27,29	V2-250S4-W44516A-EHT-19	M3	\$28,573.55



V2 Series – Inverter Duty (20:1 VT)



Lightweight Hood



Oil Plug



Sight Gauge

**\* Notes:**

- 26. Suitable for part wind start at 230V
- 27. Suitable for part wind start at 460V
- 28. Zinc Plate Steel Frame Construction

- 29. Extra High Thrust, Double Stacked Bearing Design
- 30. Please reference pp. 60-61 for parts and accessories, or contact us at 800-884-0404 for assistance.

**Performance Data on p. 95**

**Dimensions on p. 136**  
**Warranty on p. 145**



**Phases and HP:** 3-Phase, 3–60 HP  
**Enclosure:** Totally enclosed fan cooled (TEFC)  
**Frame:** 182T–364T



# Rotary Phase Converter Motor

## Cast Iron

UP TO  
**60 HP IN STOCK!**



## Standard Features/Specifications

### Performance and convenience

- Service factor: 1.15 @ 60 Hz
- F1/F2 reversible
- Dual-drilled feet for mounting flexibility
- Lifting provisions on 143 frame and above

### Reliability

- Sealed bearings
- 2-year warranty

### Protection

- Class F insulation system; Class B rise at full load; Class H vacuum pressure impregnation (VPI) resin for all windings
- Stainless steel nameplate and zinc plated hardware, corrosion resistant epoxy paint
- Spike resistant inverter duty wire
- IP55 protection
- Condensation drains with plugs

### Ratings

- 40° C ambient continuous duty
- Windings rated for 2200V peak voltage spikes

### Applications

- Designed without shafts for use with rotary phase converters to run three phase equipment from single phase power
- This is a rotary phase converter unit
- This is NOT a complete phase converter system

HP	RPM	Volts	Frame	Flange	Full Load % Efficiency	Full Load Amps	"C" Dim (in.)	Weight (lbs.)	Notes *	Model Number	Mult. Symbol	List Price
3	1800	208-230/460	182T	--	89.5	9.7-8.8/4.4	12.2	83	31	PC182T-3-4	M8	\$510.29
5	1800	208-230/460	184T	--	89.5	14.8-13.4/6.7	13.2	88	31	PC184T-5-4	M8	\$595.69
7.5	1800	208-230/460	213T	--	91.7	21-19/9.5	15.4	145	31	PC213T-7.5-4	M8	\$836.40
10	1800	208-230/460	215T	--	91.7	27.2-24.6/12.3	16.9	165	31	PC215T-10-4	M8	\$945.20
15	1800	208-230/460	254T	--	92.4	40.5-36.6/18.3	19	256	31	PC254T-15-4	M8	\$1,403.59
20	1800	208-230/460	256T	--	93.0	53.5-48.4/24.2	20.8	283	31	PC256T-20-4	M8	\$1,626.94
25	1800	208-230/460	284T	--	93.6	66.3-60/30	21.8	365	31	PC284T-25-4	M8	\$2,003.51
30	1800	208-230/460	286T	--	93.6	78.1-70.6/35.3	23.3	378	31	PC286T-30-4	M8	\$2,132.03
40	1800	208-230/460	324T	--	94.1	103.3-93.4/46.7	24.4	485	31	PC324T-40-4	M8	\$2,818.42
50	1800	208-230/460	326T	--	94.5	128.9-116.6/58.3	25.9	552	31	PC326T-50-4	M8	\$3,267.22
60	1800	208-230/460	364T	--	95.0	154.8-140/70	26.3	828	31	PC364T-60-4	M8	\$4,295.13

\* Notes:  
 31. This is NOT a complete phase converter system

Performance Data on p. 96  
 Dimensions on p. 137  
 Warranty on p. 145



Direct “Drop In” for Dodge® – TXT style

Box Size: 2–10

# Shaft Mount Reducer



## Standard Features/Specifications

### Performance and convenience

- 2-10 box size in stock
- 15:1 or 25:1 ratio
- Twin tapered bore
- Screw conveyor adaptable
- Torque arm included
- CEMA adapter bolt holes

### Reliability

- High quality bearings
- Computerized design & construction
- 2-year warranty

### Protection

- Double lip seals
- Case hardened steel shafts & gears
- Corrosion resistant epoxy paint

### Ratings

- Meets or exceeds AGMA 9 standards

Box Size	Ratio	Output Bore (Max)	Weight (lbs.)	Model Number	Mult. Symbol	List Price
2	15:1	1-15/16"	70	NBS-115-2-15	M21	\$890.39
	25:1	1-15/16"	68	NBS-115-2-25	M21	\$890.39
3	15:1	2-3/16"	110	NBS-203-3-15	M21	\$1,446.92
	25:1	2-3/16"	108	NBS-203-3-25	M21	\$1,446.92
4	15:1	2-7/16"	142	NBS-207-4-15	M21	\$2,044.37
	25:1	2-7/16"	158	NBS-207-4-25	M21	\$2,044.37
5	15:1	2-15/16"	208	NBS-215-5-15	M21	\$2,466.17
	25:1	2-15/16"	210	NBS-215-5-25	M21	\$2,466.17
6	15:1	3-7/16"	340	NBS-307-6-15	M21	\$3,766.66
	25:1	3-7/16"	336	NBS-307-6-25	M21	\$3,766.66
7	15:1	3-15/16"	480	NBS-315-7-15	M21	\$7,913.99
	25:1	3-15/16"	480	NBS-315-7-25	M21	\$7,913.99
8	15:1	4-7/16"	630	NBS-407-8-15	M21	\$10,485.55
	25:1	4-7/16"	632	NBS-407-8-25	M21	\$10,485.55
9	15:1	4-15/16"	630	NBS-415-9-15	M21	\$13,473.18
	25:1	4-15/16"	632	NBS-415-9-25	M21	\$13,473.18
10	15:1	5-7/16"	1020	NBS-507-10-15	M21	\$19,916.88
	25:1	5-7/16"	1020	NBS-507-10-25	M21	\$19,916.88

**\* Notes:**

32. Dodge® is a trademark of Baldor Electric Company, which does not sponsor or authorize, or is otherwise affiliated with this product.

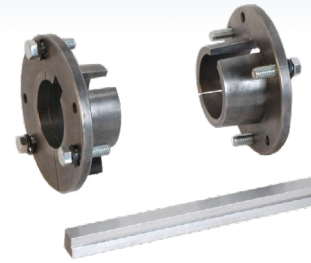
Accessories on p. 55-59  
 Dimensions on p. 138  
 Class charts on p. 140-142  
 Oil levels on p. 143  
 Warranty on p. 145



Box Size: 2–10

Brushing Kit Size: 1-7/16"–5-7/16"

# Bushing Kit



## Standard Features/Specifications

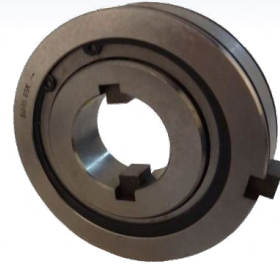
### Performance and convenience

- 1-7/16" – 5-7/16" size in stock

Box Size	Description	Bushing Size	Model Number	Mult. Symbol	List Price
2	Bushing Kit	1-7/16"	NBS-BK-2-1.0716	M21	\$111.14
	Bushing Kit	1-11/16"	NBS-BK-2-1.1116	M21	\$111.14
	Bushing Kit	1-15/16"	NBS-BK-2-1.1516	M21	\$111.14
3	Bushing Kit	1-15/16"	NBS-BK-3-1.1516	M21	\$142.12
	Bushing Kit	2"	NBS-BK-3-2.0000	M21	\$142.12
	Bushing Kit	2-3/16"	NBS-BK-3-2.0316	M21	\$142.12
4	Bushing Kit	1-15/16"	NBS-BK-4-1.1516	M21	\$172.97
	Bushing Kit	2-3/16"	NBS-BK-4-2.0316	M21	\$172.97
	Bushing Kit	2-7/16"	NBS-BK-4-2.0716	M21	\$172.97
5	Bushing Kit	2-1/2"	NBS-BK-5-2.0102	M21	\$263.54
	Bushing Kit	2-7/16"	NBS-BK-5-2.0716	M21	\$263.54
	Bushing Kit	2-15/16"	NBS-BK-5-2.1516	M21	\$263.54
6	Bushing Kit	2-15/16"	NBS-BK-6-2.1516	M21	\$329.50
	Bushing Kit	3-7/16"	NBS-BK-6-3.0716	M21	\$329.50
7	Bushing Kit	3-7/16"	NBS-BK-7-3.0716	M21	\$402.73
	Bushing Kit	3-15/16"	NBS-BK-7-3.1516	M21	\$402.73
8	Bushing Kit	3-7/16"	NBS-BK-8-3.0716	M21	\$512.38
	Bushing Kit	3-15/16"	NBS-BK-8-3.1516	M21	\$512.38
	Bushing Kit	4-7/16"	NBS-BK-8-4.0716	M21	\$512.38
9	Bushing Kit	3-7/16"	NBS-BK-9-3.0716	M21	\$587.12
	Bushing Kit	3-15/16"	NBS-BK-9-3.1516	M21	\$587.12
	Bushing Kit	4-7/16"	NBS-BK-9-4.0716	M21	\$587.12
	Bushing Kit	4-15/16"	NBS-BK-9-4.1516	M21	\$587.12
10	Bushing Kit	3-15/16"	NBS-BK-10-3.1516	M21	\$855.03
	Bushing Kit	4-7/16"	NBS-BK-10-4.0716	M21	\$855.03
	Bushing Kit	4-15/16"	NBS-BK-10-4.1516	M21	\$855.03
	Bushing Kit	5-7/16"	NBS-BK-10-5.0716	M21	\$855.03

Box Size: 2-10

# Backstops



## Standard Features/Specifications

### Performance and convenience

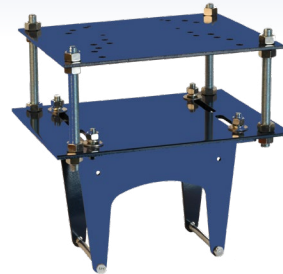
- 2-10 box size in stock

Box Size	Description	Model Number	Mult. Symbol	List Price
2	Backstops	NBS-BSA-2	M21	\$207.59
3	Backstops	NBS-BSA-3	M21	\$221.69
4	Backstops	NBS-BSA-4	M21	\$221.69
5	Backstops	NBS-BSA-5	M21	\$283.10
6	Backstops	NBS-BSA-6	M21	\$486.50
7	Backstops	NBS-BSA-7	M21	\$486.50
8	Backstops	NBS-BSA-8	M21	\$950.53
9	Backstops	NBS-BSA-9	M21	\$950.53
10	Backstops	NBS-BSA-10	M21	\$1,118.37

Box Size: 2-10

Frame: 56-365T

# Motor Mounts



## Standard Features/Specifications

### Performance and convenience

- 2-10 box size in stock

### Protection

- Corrosion resistant epoxy paint

Box Size	Description	Motor Size	Model Number	Mult. Symbol	List Price
2	Motor Mounts	56 - 215T Frames	NBS-MM-2	M21	\$317.51
3	Motor Mounts	56 - 215T Frames	NBS-MM-3	M21	\$326.04
4	Motor Mounts	143T - 286T Frames	NBS-MM-4	M21	\$507.72
5	Motor Mounts	143T - 286T Frames	NBS-MM-5	M21	\$507.72
6	Motor Mounts	143T - 326T Frames	NBS-MM-6	M21	\$706.30
7	Motor Mounts	143T - 365T Frames	NBS-MM-7	M21	\$738.61
8	Motor Mounts	213T - 365T Frames	NBS-MM-8	M21	\$905.29
9	Motor Mounts	213T - 365T Frames	NBS-MM-9	M21	\$934.68
10	Motor Mounts	254T - 365T Frames	NBS-MM-10	M21	\$997.28

Dimensions on p. 139





**Box Size:** 2–10  
**Frame:** 56C–365T

# Torque Arms



## Standard Features/Specifications

### Performance and convenience

- 2-10 box size in stock

Box Size	Description	Model Number	Mult. Symbol	List Price
2	Torque Arms	NBS-TA-2	M21	\$76.82
3	Torque Arms	NBS-TA-3	M21	\$76.82
4	Torque Arms	NBS-TA-4	M21	\$137.38
5	Torque Arms	NBS-TA-5	M21	\$137.38
6	Torque Arms	NBS-TA-6	M21	\$177.08
7	Torque Arms	NBS-TA-7	M21	\$262.34
8	Torque Arms	NBS-TA-8	M21	\$337.23
9	Torque Arms	NBS-TA-9	M21	\$337.23
10	Torque Arms	NBS-TA-10	M21	\$419.39

Dimensions on p. 138

**Box Size:** 2–10

# Belt Guard



## Standard Features/Specifications

### Performance and convenience

- 2-10 box size in stock

### Protection

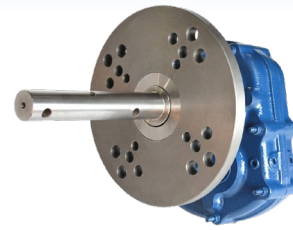
- Corrosion resistant epoxy paint

Box Size	Description	Model Number	Mult. Symbol	List Price
2	Belt Guard	NBS-BG-2	M21	\$277.33
3	Belt Guard	NBS-BG-3	M21	\$314.25
4	Belt Guard	NBS-BG-4	M21	\$360.15
5	Belt Guard	NBS-BG-5	M21	\$397.07
6	Belt Guard	NBS-BG-6	M21	\$452.94
7	Belt Guard	NBS-BG-7	M21	\$600.52
8	Belt Guard	NBS-BG-8	M21	\$757.12
9	Belt Guard	NBS-BG-9	M21	\$1,025.12
10	Belt Guard	NBS-BG-10	M21	\$1,109.94

Box Size: 2-7

# Screw Conveyor

## Adaptor Flanges



### Standard Features/Specifications

**Performance and convenience**

- 2-7 box size in stock

Box Size	Description	Model Number	Mult. Symbol	List Price
2	Screw Conveyor	NBS-SCA-2-FLANGE	M21	\$697.96
3	Screw Conveyor	NBS-SCA-3-FLANGE	M21	\$823.49
4	Screw Conveyor	NBS-SCA-4-FLANGE	M21	\$1,007.45
5	Screw Conveyor	NBS-SCA-5-FLANGE	M21	\$1,108.08
6	Screw Conveyor	NBS-SCA-6-FLANGE	M21	\$1,446.79
7	Screw Conveyor	NBS-SCA-7-FLANGE	M21	\$2,054.94

Box Size: 2-7

# Drive Shafts

## 1-1/2" - 3-7/16"



### Standard Features/Specifications

**Performance and convenience**

- 2-7 box size in stock

Box Size	Description	Model Number	Mult. Symbol	List Price
2	Drive Shafts	NBS-SCA-2-DS-3.0000	M21	\$480.46
3	Drive Shafts	NBS-SCA-3-DS-2.0000	M21	\$506.42
	Drive Shafts	NBS-SCA-3-DS-3.0000	M21	\$506.42
4	Drive Shafts	NBS-SCA-4-DS-2.0000	M21	\$605.98
	Drive Shafts	NBS-SCA-4-DS-3.0000	M21	\$605.98
5	Drive Shafts	NBS-SCA-5-DS-2.0000	M21	\$776.96
	Drive Shafts	NBS-SCA-5-DS-3.0000	M21	\$776.96
6	Drive Shafts	NBS-SCA-6-DS-3.0000	M21	\$1,312.60
	Drive Shafts	NBS-SCA-6-DS-3.4375	M21	\$1,312.60
7	Drive Shafts	NBS-SCA-7-DS-3.0000	M21	\$1,643.73
	Drive Shafts	NBS-SCA-7-DS-3.4375	M21	\$1,643.73



Box Size: 2–10

# Shaft Mount Reducer – Repair Kits



Repair Kit 1



Repair Kit 2



Repair Kit 3

Box Size	Description	Model Number	Mult. Symbol	List Price
2	KIT1 includes all seals, gaskets, and bearings	NBS-RK1-2	M21	\$135.79
	KIT2 includes all seals, gaskets, and bearings. Input shaft / pinion and 1st stage reduction gear. 15:1 RATIO	NBS-RK2-215	M21	\$382.89
	KIT2 includes all seals, gaskets, and bearings. Input shaft / pinion and 1st stage reduction gear. 25:1 RATIO	NBS-RK2-225	M21	\$382.89
	KIT3 includes all seals, gaskets, and bearings. Input shaft / pinion and 1st stage reduction gear. 2nd stage reduction gear and hub. 15:1 RATIO	NBS-RK3-215	M21	\$773.96
	KIT3 includes all seals, gaskets, and bearings. Input shaft / pinion and 1st stage reduction gear. 2nd stage reduction gear and hub. 25:1 RATIO	NBS-RK3-225	M21	\$773.96
3	KIT1 includes all seals, gaskets, and bearings	NBS-RK1-3	M21	\$402.71
	KIT2 includes all seals, gaskets, and bearings. Input shaft / pinion and 1st stage reduction gear. 15:1 RATIO	NBS-RK2-315	M21	\$773.05
	KIT2 includes all seals, gaskets, and bearings. Input shaft / pinion and 1st stage reduction gear. 25:1 RATIO	NBS-RK2-325	M21	\$773.05
	KIT3 includes all seals, gaskets, and bearings. Input shaft / pinion and 1st stage reduction gear. 2nd stage reduction gear and hub. 15:1 RATIO	NBS-RK3-315	M21	\$1,379.96
	KIT3 includes all seals, gaskets, and bearings. Input shaft / pinion and 1st stage reduction gear. 2nd stage reduction gear and hub. 25:1 RATIO	NBS-RK3-325	M21	\$1,379.96
4	KIT1 includes all seals, gaskets, and bearings	NBS-RK1-4	M21	\$519.10
	KIT2 includes all seals, gaskets, and bearings. Input shaft / pinion and 1st stage reduction gear. 15:1 RATIO	NBS-RK2-415	M21	\$1,113.62
	KIT2 includes all seals, gaskets, and bearings. Input shaft / pinion and 1st stage reduction gear. 25:1 RATIO	NBS-RK2-425	M21	\$1,113.62
	KIT3 includes all seals, gaskets, and bearings. Input shaft / pinion and 1st stage reduction gear. 2nd stage reduction gear and hub. 15:1 RATIO	NBS-RK3-415	M21	\$2,189.47
	KIT3 includes all seals, gaskets, and bearings. Input shaft / pinion and 1st stage reduction gear. 2nd stage reduction gear and hub. 25:1 RATIO	NBS-RK3-425	M21	\$2,189.47
5	KIT1 includes all seals, gaskets, and bearings	NBS-RK1-5	M21	\$551.27
	KIT2 includes all seals, gaskets, and bearings. Input shaft / pinion and 1st stage reduction gear. 15:1 RATIO	NBS-RK2-515	M21	\$1,396.23
	KIT2 includes all seals, gaskets, and bearings. Input shaft / pinion and 1st stage reduction gear. 25:1 RATIO	NBS-RK2-525	M21	\$1,396.23
	KIT3 includes all seals, gaskets, and bearings. Input shaft / pinion and 1st stage reduction gear. 2nd stage reduction gear and hub. 15:1 RATIO	NBS-RK3-515	M21	\$2,924.42
	KIT3 includes all seals, gaskets, and bearings. Input shaft / pinion and 1st stage reduction gear. 2nd stage reduction gear and hub. 25:1 RATIO	NBS-RK3-525	M21	\$2,924.42
6	KIT1 includes all seals, gaskets, and bearings	NBS-RK1-6	M21	\$749.40
	KIT2 includes all seals, gaskets, and bearings. Input shaft / pinion and 1st stage reduction gear. 15:1 RATIO	NBS-RK2-615	M21	\$2,299.16
	KIT2 includes all seals, gaskets, and bearings. Input shaft / pinion and 1st stage reduction gear. 25:1 RATIO	NBS-RK2-625	M21	\$2,299.16
	KIT3 includes all seals, gaskets, and bearings. Input shaft / pinion and 1st stage reduction gear. 2nd stage reduction gear and hub. 15:1 RATIO	NBS-RK3-615	M21	\$4,948.20
	KIT3 includes all seals, gaskets, and bearings. Input shaft / pinion and 1st stage reduction gear. 2nd stage reduction gear and hub. 25:1 RATIO	NBS-RK3-625	M21	\$4,948.20
7	KIT1 includes all seals, gaskets, and bearings	NBS-RK1-7	M21	\$1,265.52
	KIT2 includes all seals, gaskets, and bearings. Input shaft / pinion and 1st stage reduction gear. 15:1 RATIO	NBS-RK2-715	M21	\$3,801.39
	KIT2 includes all seals, gaskets, and bearings. Input shaft / pinion and 1st stage reduction gear. 25:1 RATIO	NBS-RK2-725	M21	\$3,792.59
	KIT3 includes all seals, gaskets, and bearings. Input shaft / pinion and 1st stage reduction gear. 2nd stage reduction gear and hub. 15:1 RATIO	NBS-RK3-715	M21	\$8,279.72
	KIT3 includes all seals, gaskets, and bearings. Input shaft / pinion and 1st stage reduction gear. 2nd stage reduction gear and hub. 25:1 RATIO	NBS-RK3-725	M21	\$8,279.72
8	KIT1 includes all seals, gaskets, and bearings	NBS-RK1-8	M21	\$1,788.53
	KIT2 includes all seals, gaskets, and bearings. Input shaft / pinion and 1st stage reduction gear. 15:1 RATIO	NBS-RK2-815	M21	\$5,098.84
	KIT2 includes all seals, gaskets, and bearings. Input shaft / pinion and 1st stage reduction gear. 25:1 RATIO	NBS-RK2-825	M21	\$5,098.84
	KIT3 includes all seals, gaskets, and bearings. Input shaft / pinion and 1st stage reduction gear. 2nd stage reduction gear and hub. 15:1 RATIO	NBS-RK3-815	M21	\$11,044.79
	KIT3 includes all seals, gaskets, and bearings. Input shaft / pinion and 1st stage reduction gear. 2nd stage reduction gear and hub. 25:1 RATIO	NBS-RK3-825	M21	\$11,044.79
9	KIT1 includes all seals, gaskets, and bearings	NBS-RK1-9	M21	\$2,490.51
	KIT2 includes all seals, gaskets, and bearings. Input shaft / pinion and 1st stage reduction gear. 15:1 RATIO	NBS-RK2-915	M21	\$6,362.39
	KIT2 includes all seals, gaskets, and bearings. Input shaft / pinion and 1st stage reduction gear. 25:1 RATIO	NBS-RK2-925	M21	\$6,362.39
	KIT3 includes all seals, gaskets, and bearings. Input shaft / pinion and 1st stage reduction gear. 2nd stage reduction gear and hub. 15:1 RATIO	NBS-RK3-915	M21	\$14,416.46
	KIT3 includes all seals, gaskets, and bearings. Input shaft / pinion and 1st stage reduction gear. 2nd stage reduction gear and hub. 25:1 RATIO	NBS-RK3-925	M21	\$14,416.46
10	KIT1 includes all seals, gaskets, and bearings	NBS-RK1-10	M21	\$3,453.72
	KIT2 includes all seals, gaskets, and bearings. Input shaft / pinion and 1st stage reduction gear. 15:1 RATIO	NBS-RK2-1015	M21	\$11,053.48
	KIT2 includes all seals, gaskets, and bearings. Input shaft / pinion and 1st stage reduction gear. 15:1 RATIO	NBS-RK2-1025	M21	\$11,053.48
	KIT2 includes all seals, gaskets, and bearings. Input shaft / pinion and 1st stage reduction gear. 15:1 RATIO	NBS-RK3-1015	M21	\$17,791.75
	KIT2 includes all seals, gaskets, and bearings. Input shaft / pinion and 1st stage reduction gear. 25:1 RATIO	NBS-RK3-1025	M21	\$17,791.75



V1 and V2 Series

HP: 10–500

# Vertical Hollow Shaft — Replacement Parts

### Ball Bearing Non-Reverse Ratchet Assembly

HP	Frame	Weight (lbs.)	Notes	Model Number	Mult. Symbol	List Price
10	215TP	13	--	NRR-215TP	M3	\$596.34
15-30	254TP-286TP	32	--	NRR-250/280TP	M3	\$1,411.81
40-75	324TP-365TP	43.2	--	NRR-320/360TP	M3	\$1,221.82
100-125	404/5TP	70.1	--	NRR-400TP	M3	\$1,600.00
150-250	444/5TP	99.7	--	NRR-445TP	M3	\$2,545.44
300-500	5006/8P	169.5	--	NRR-5006/8P	M3	\$4,836.35



### Lubriport Sight Glass

HP	Frame	Weight (lbs.)	Model Number	Mult. Symbol	List Price
40-500	ALL	0.33	SG-LUBRIPORT	M3	\$94.37



### Alternative Bases

HP	Frame	Base Size	Weight (lbs.)	Notes	Model Number	Mult. Symbol	List Price
15 - 30	254TP - 286TP	16.5"	51.2	33	ABPE2-250/280TP-16.5	M3	\$824.85
		12"	79.2	--	AB-320TP-12	M3	\$1,182.51
40-50	324TP - 326TP	16.5"	79.2	--	AB-320TP-16.5	M3	\$1,182.51
		12"	79.2	33	ABPE-320TP-12	M3	\$1,182.51
		16.5"	79.2	33	ABPE-320TP-16.5	M3	\$1,182.51
40 - 50	324TP - 326TP	12"	79.2	33	ABPE2-320TP-12	M3	\$1,182.51
		16.5"	79.2	33	ABPE2-320TP-16.5	M3	\$1,182.51
		12"	105.8	--	AB-360TP-12	M3	\$1,450.48
60-75	364TP - 365TP	16.5"	105.8	--	AB-360TP-16.5	M3	\$1,450.48
		12"	105.8	33	ABPE-360TP-12	M3	\$1,450.48
		16.5"	105.8	33	ABPE-360TP-16.5	M3	\$1,450.48
60 - 75	364TP - 365TP	12"	105.8	33	ABPE2-360TP-12	M3	\$1,450.48
		16.5"	105.8	33	ABPE2-360TP-16.5	M3	\$1,450.48
100 - 125	404TP - 405TP	16.5"	110.3	33	ABPE2-400TP-16.5	M3	\$1,681.15
		20"	110.3	33	ABPE2-400TP-20	M3	\$1,681.15



\* Notes:

33. Premium Efficient Model

### Top Cover

HP	Frame	Weight (lbs.)	Notes	Model Number	Mult. Symbol	List Price
10	215TP	2.43	--	TC-215TP	M3	\$126.99
		2.87	--	TC-320TP	M3	\$231.84
40-50	324/6TP	2.87	33	TCPE-320TP	M3	\$231.84
		3.97	--	TC-360TP	M3	\$242.33
60-75	364/5TP	3.97	33	TCPE-360TP	M3	\$242.33
		5.18	--	TC-400TP	M3	\$283.11
100-125	404/5TP	5.18	33	TCPE-400TP	M3	\$283.11
		7.28	--	TC-445TP	M3	\$325.05
300	5006P-5008P	10.56	--	TC-5006P/5008P	M3	\$425.24



\* Notes:

33. Premium Efficient Model



V1 and V2 Series

HP: 10–500

# Vertical Hollow Shaft

## Motor Couplings



### Standard Features/Specifications

HP	Frame	Standard	Option	"BX" Dim (in.)	SQ Key	Model Number	Mult. Symbol	List Price
10	215TP		X	0.75	0.19	VC210-.750	M3	\$147.97
			X	0.875	0.19	VC210-.875	M3	\$147.97
		X		1	0.25	VC210-1.00	M3	\$147.97
			X	0	0	VC210-BLANK	M3	\$147.97
15-30	254TP-286TP		X	0.75	0.19	VC250/280-.750	M3	\$153.79
			X	0.9	0.19	VC250/280-.875	M3	\$153.79
		X		1	0.25	VC250/280-1.00	M3	\$153.79
			X	1.2	0.25	VC250/280-1.188	M3	\$153.79
			X	1.25	0.25	VC250/280-1.25A	M3	\$153.79
			X	1.3	0.38	VC250/280-1.25B	M3	\$153.79
			X	0	0	VC250/280-BLANK	M3	\$153.79
40-75	324TP-365TP		X	1	0.25	VC320/360-1.00	M3	\$166.59
			X	1.188	0.25	VC320/360-1.188	M3	\$166.59
		X		1.3	0.25	VC320/360-1.25A	M3	\$166.59
			X	1.25	0.38	VC320/360-1.25B	M3	\$166.59
			X	1.4	0.38	VC320/360-1.438	M3	\$166.59
			X	1.5	0.38	VC320/360-1.500	M3	\$166.59
			X	0	0	VC320/360-BLANK	M3	\$166.59
100-125	404TP-405TP		X	1.188	0.25	VC400-1.188	M3	\$224.25
			X	1.3	0.25	VC400-1.25A	M3	\$224.25
			X	1.25	0.38	VC400-1.25B	M3	\$224.25
			X	1.4	0.38	VC400-1.438	M3	\$224.25
		X		1.5	0.38	VC400-1.50	M3	\$224.25
			X	1.6	0.38	VC400-1.563	M3	\$224.25
			X	1.688	0.38	VC400-1.688	M3	\$224.25
			X	1.8	0.38	VC400-1.813	M3	\$224.25
			X	0	0	VC400-BLANK	M3	\$224.25
150-200	444TP-445TP		X	1.438	0.38	VC440-1.438	M3	\$368.15
			X	1.5	0.38	VC440-1.500	M3	\$368.15
		X		1.688	0.38	VC440-1.688	M3	\$368.15
			X	1.8	0.38	VC440-1.750	M3	\$368.15
250	444TP-445TP	X		1.938	0.5	VC440-1.938	M3	\$368.15
			X	2.2	0.5	VC440-2.188	M3	\$368.15
300-350	5006P		X	1.5	0.38	VC500-1.501	M3	\$662.91
			X	1.688	0.38	VC500-1.688	M3	\$662.91
			X	1.8	0.5	VC500-1.751	M3	\$662.91
			X	1.813	0.5	VC500-1.813	M3	\$662.91
400-450	5008P		X	1.9	0.5	VC500-1.938	M3	\$662.91
			X	2.001	0.5	VC500-2.001	M3	\$662.91
		X		2.2	0.5	VC500-2.188	M3	\$662.91
			X	2.251	0.5	VC500-2.251	M3	\$662.91
300-500	5006P-5008P		X	0	0	VC500-BLANK	M3	\$662.91



Frame: 56–505T

# Motor Slide Base

## Standard Features/Specifications

### Performance and convenience

- 56–505T frame size in stock; 56–145T frames are single-adjusting screw type; 182T–505T frames are double-adjusting screw type
- Bases are provided with washers
- Primed with oven-baked primer for easy painting (color: black)

### Reliability

- Three (3) year warranty

### Protection

- All “D” bolts (or motor mounting bolts) are welded into position to prevent spinning and dropping from slots
- All “D” bolts (or motor mounting bolts) are fixed to the exact foot pattern of the motor to aid in easier motor installation

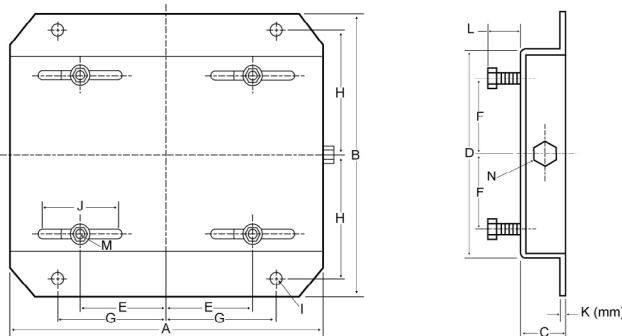


Single adjusting screw on frames 56–145T

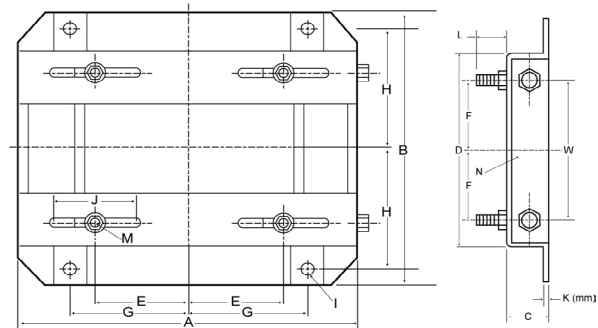


Dual adjusting screws on frames 182T–505T

Frame: 56–145T



Frame: 182T–505T



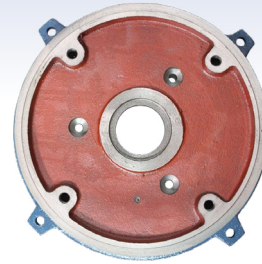
Frame	Weight	Model Number	Mult Symbol	List Price	Mounting Dimensions														
					A	B	C	D	E	F	G	H	I	J	K (mm)	L	M	N	W
56	3	NA56	M2	\$17.54	10 5/8	6 1/2	1 1/8	4 1/2	2 7/16	1 1/2	3 13/16	2 7/8	3/8	3	2	7/8	5/16 x 1	3/8 x 4	--
143T	6	NA143	M2	\$28.18	10 1/2	7 1/2	1 1/8	5 1/2	2 3/4	2	3 3/4	3 3/8	3/8	3	3	13/16	5/16 x 1	3/8 x 4	--
145T	7	NA145	M2	\$31.60	10 1/2	8 1/2	1 1/8	6 1/2	2 3/4	2 1/2	3 3/4	3 7/8	3/8	3	3	13/16	5/16 x 1	3/8 x 4	--
182T	10	NA182	M2	\$42.95	12 3/4	9 1/2	1 1/2	6 1/2	3 3/4	2 1/4	4 1/2	4 1/4	1/2	3	3 1/2	1 1/2	3/8 x 3/4	1/2 x 6	4 1/2
184T	10	NA184	M2	\$42.95	12 3/4	10 1/2	1 1/2	7 1/2	3 3/4	2 3/4	4 1/2	4 3/4	1/2	3	3 1/2	1 1/2	3/8 x 1 3/4	1/2 x 6	5 1/2
213T	15	NA213	M2	\$60.49	15	11	1 3/4	7 1/2	4 1/4	2 3/4	5 1/4	4 3/4	1/2	3 1/2	3 4/5	1 1/2	3/8 x 1 3/4	1/2 x 6	5 1/2
215T	17	NA215	M2	\$69.29	15	12 1/2	1 3/4	9	4 1/4	3 1/2	5 1/4	5 1/2	1/2	3 1/2	3 4/5	1 1/2	3/8 x 1 3/4	1/2 x 6	7
254T	19	NA254	M2	\$82.43	17 3/4	15 1/8	2	10 3/4	5	4 1/8	6 1/4	6 5/8	5/8	4	4 3/5	1 7/16	1/2 x 1 3/4	5/8 x 6	5 5/16
256T	20	NA256	M2	\$87.70	17 3/4	16 7/8	2	12 1/2	5	5	6 1/4	7 1/2	5/8	4	4 3/4	1 7/16	1/2 x 1 3/4	5/8 x 6	7
284T	25	NA284	M2	\$100.84	19 3/4	18 3/8	2	14	5 1/2	5 1/2	7	8 1/4	5/8	4 1/2	4 3/5	1 11/16	1/2 x 2	5/8 x 6	8
286T	24	NA286	M2	\$106.11	19 3/4	16 7/8	2	12 1/2	5 1/2	4 3/4	7	7 1/2	5/8	4 1/2	4 3/5	1 11/16	1/2 x 2	5/8 x 6	7
324T	35	NA324	M2	\$149.87	22 3/4	19 1/4	2 1/2	14	6 1/4	5 1/4	8	8 1/2	3/4	5 1/4	4 3/5	2 3/16	5/8 x 2 1/2	3/4 x 9	7
326T	36	NA326	M2	\$154.27	22 3/4	20 3/4	2 1/2	15 1/2	6 1/4	6	8	9 1/4	3/4	5 1/4	4 3/5	2 3/16	5/8 x 2 1/2	3/4 x 9	8 1/2
364T	49	NA364	M2	\$210.47	25 1/2	20 1/2	2 1/2	15 1/2	7	5 5/8	9	9 1/8	3/4	6	5 4/5	2 1/16	5/8 x 2 1/2	3/4 x 9	7 3/4
365T	50	NA365	M2	\$214.76	25 1/2	21 1/2	2 1/2	16 1/2	7	6 1/8	9	9 5/8	3/4	6	5 4/5	2 1/16	5/8 x 2 1/2	3/4 x 9	8 3/4
404T	66	NA404	M2	\$239.42	28 3/4	22 3/8	3	16 1/2	8	6 1/8	10	9 7/8	7/8	7	5 4/5	2 1/2	3/4 x 3	3/4 x 11	8 3/4
405T	68	NA405	M2	\$242.84	28 3/4	23 7/8	3	18	8	6 7/8	10	10 5/8	7/8	7	5 4/5	2 1/2	3/4 x 3	3/4 x 11	10 1/4
444T	74	NA444	M2	\$266.57	31 1/4	24 5/8	3	19 1/4	9	7 1/4	11	11	7/8	7 1/2	5 4/5	2 1/2	3/4 x 3	3/4 x 11	11
445T	76	NA445	M2	\$274.39	31 1/4	26 5/8	3	21 1/4	9	8 1/4	11	12	7/8	7 1/2	5 4/5	2 1/2	3/4 x 3	3/4 x 11	13
447T	102	NA447	M2	\$352.37	31 1/4	30 1/8	3	24 3/4	9	10	11	13 3/4	7/8	7 1/2	8	3	1/4 x 3 1/2	3/4 x 11	16 1/2
449T	105	NA449	M2	\$362.95	31 1/4	35 1/8	3	29 3/4	9	12 1/2	11	16 1/4	7/8	7 1/2	8	3	3/4 x 3 1/2	3/4 x 11	21 1/2
505T	137	NA505	M2	\$469.98	30	30	3 1/2	22 1/4	10	9	12 1/2	13 1/2	1	8	8	3	7/8 x 3 1/2	7/8 x 12	14 1/2



Frame: 143T-587UZ

# C-Flange Kits – Table A – Cast Iron

## Standard Features/Specifications



**Performance and convenience**

- Simple field conversion of standard motor to accommodate C-Flange mount

**Reliability**

- 2-year warranty

Frame	Weight	Model Number	Mult. Symbol	List Price
143T - 145T	10	3140-NEWT	M2	\$44.82
182T - 184T	12	3180-NEWT	M2	\$81.41
213T - 215T	15	3210-NEPE	M2	\$79.80
213T - 215T	15	3210-NEWT	M2	\$79.80
254T - 256T	30	3250-NEPE	M2	\$157.60
254T - 256T	20	3250-NEWT	M2	\$157.60
284T - 286T	45	3280-NEWT	M2	\$197.28
324T - 326T	50	3320-NEWT	M2	\$236.97
364T - 365T	60	3360-NEPE	M2	\$435.40
364T - 365T	60	3360-NEWT	M2	\$435.40
404T - 405T	75	3400-NEPE	M2	\$478.48
404TS - 405TS	75	3400-NEPE-2P	M2	\$478.48
404T - 405T	75	3400-NEWT	M2	\$478.48
404TS - 405TS	75	3400-NEWT-2P	M2	\$478.48
444T - 449T	90	3440-NEPE	M2	\$625.65
444TS - 449TS	90	3440-NEPE-2P	M2	\$625.65
444T - 449T	90	3440-NEWT	M2	\$625.65
444TS - 449TS	90	3440-NEWT-2P	M2	\$625.65
504/5UZ	95	3500-NEPE	M2	\$963.76
586/7UZ	210	3587-NC58	M2	\$1,417.29

Frame: 143T-587UZ

# D-Flange Kits – Table B – Cast Iron

## Standard Features/Specifications



**Performance and convenience**

- Simple field conversion of standard motor to accommodate D-Flange mount

**Reliability**

- 2-year warranty

Frame	Weight	Model Number	Mult. Symbol	List Price
143T - 145T	10	4140-NEWT	M2	\$127.52
182T - 184T	12	4180-NEWT	M2	\$127.52
213T - 215T	15	4210-NEWT	M2	\$137.68
254T - 256T	30	4250-NEPE	M2	\$308.59
254T - 256T	30	4250-NEWT	M2	\$157.60
284T - 286T	45	4280-NEWT	M2	\$308.59
324T - 326T	50	4320-NEWT	M2	\$452.35
364T - 365T	71	4360-NEPE	M2	\$510.06
364T - 365T	65	4360-NEWT	M2	\$510.06
404T - 405T	75	4400-NEPE	M2	\$824.57
404TS - 405TS	75	4400-NEPE-2P	M2	\$824.57
404T - 405T	75	4400-NEWT	M2	\$824.57
404TS - 405TS	75	4400-NEWT-2P	M2	\$824.57
444T - 449T	90	4440-NEPE	M2	\$824.57
444TS - 449TS	90	4440-NEPE-2P	M2	\$824.57
444T - 449T	90	4440-NEWT	M2	\$824.57
444TS - 449TS	90	4440-NEWT-2P	M2	\$824.57
504/5UZ	105	4500-NEPE	M2	\$1,635.84
586/7UZ	270	4587-NC58	M2	\$1,632.72



Phases: 3-Phase

Frame: 143T-449TS

Enclosure: Open drip proof (ODP)

# C-Flange Kits

Table C — ODPW — Cast Iron

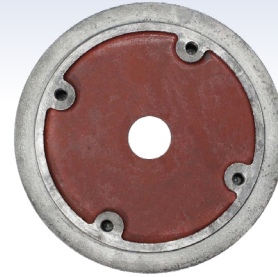
## Standard Features/Specifications

### Performance and convenience

- Simple field conversion of standard motor to accommodate C-Flange mount

### Reliability

- 2-year warranty



Frame	Weight	Model Number	Mult. Symbol	List Price
143T - 145T	10	3140-ODP-W	M2	\$44.82
182T - 184T	12	3180-ODP-W	M2	\$81.41
213T - 215T	15	3210-ODP-W	M2	\$79.80
254T - 256T	20	3250-ODP-W	M2	\$157.60
284T - 286T	45	3280-ODP-W	M2	\$197.28
324T - 326T	50	3320-ODP-W	M2	\$236.97
364T - 365T	60	3360-ODP-W	M2	\$435.40
404TS - 405TS	75	3400-2P-ODP-W	M2	\$478.48
404T - 405T	75	3400-ODP-W	M2	\$478.48
447TS - 449TS	75	3440-2P-ODP-W	M2	\$625.65
444T - 449T	90	3440-ODP-W	M2	\$625.65

Phases: 3-Phase

Frame: 143T-215T

Enclosure: Totally enclosed fan cooled (TEFC)

# C-Flange Kits

Table D — APEW — Aluminum

## Standard Features/Specifications

### Performance and convenience

- Simple field conversion of standard motor to accommodate C-Flange mount

### Reliability

- 2-year warranty



Frame	Weight	Model Number	Mult. Symbol	List Price
143T - 145T	10	3140-APE	M2	\$44.82
182T - 184T	12	3180-APE	M2	\$59.47
213T - 215T	15	3210-APE	M2	\$79.80

Phases: Single Phase

Frame: 143T-215T

Enclosure: Totally enclosed fan cooled (TEFC)

# C-Flange Kits

Table E — Farm Duty — Rolled Steel

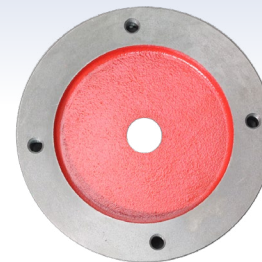
## Standard Features/Specifications

### Performance and convenience

- Simple field conversion of standard motor to accommodate C-Flange mount

### Reliability

- 2-year warranty



Frame	Weight	Model Number	Mult. Symbol	List Price
143T - 145T	10	3140FD	M2	\$40.61
182T - 184T	12	3180FD	M2	\$74.55
213T - 215T	15	3210FD	M2	\$79.80





Phases: 3-Phase

Frame: 143T-256T

Enclosure: Open Drip Proof (ODP)

# C-Flange Kits

Table F — ODPW & SODP — Rolled Steel

## Standard Features/Specifications

### Performance and convenience

- Simple field conversion of standard motor to accommodate C-Flange mount

### Reliability

- 2-year warranty



Frame	Weight	Model Number	Mult. Symbol	List Price
143T - 145T	10	3140-ODP-W	M2	\$44.82
182T - 184T	12	3180-ODP-W	M2	\$81.41
213T - 215T	15	3210-ODP-W	M2	\$79.80
254T - 256T	10	3250-SODP	M2	\$140.75

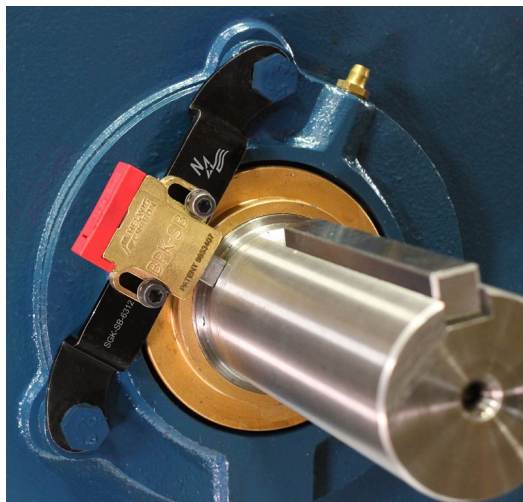
GENERAL PURPOSE MOTORS

SPECIAL PURPOSE MOTORS

ACCESSORIES

APPENDIX

## BPK Bearing Protection Kit



### Protect Motor Bearings

Bearing Protection Kit™



North American Electric offers a Bearing Protection Kit™ (BPK) for all major frame sizes. The bearing protection kits are recommended for all motors controlled by drives and kits will protect the motor bearings from induced electrical currents on the shaft by offering a path to ground. The kits use a proprietary silver graphite brush on the shaft that provides a least resistance path to ground. The kits have a custom engineered mounting bracket that uses the existing bearing cap bolts. North American Electric bearing protection kits can be ordered with the motor or field installed.



### Features:

- Superior Performance
- Long Life
- Easy Installation
- In Stock
- Kits Including Mounting Brackets
- Available Pre-Installed
- Available Kits for Retrofit

*BPK Shaft grounding kits are available upon request, for certain model numbers. Please contact your customer service agent to see which motors are compatible.*



Phases: 3-Phase

Frame: 143T-449T

Enclosure: Totally enclosed fan cooled (TEFC)

# Explosion Proof C-Flange Kits

Table H — XP-1 — Cast Iron

## Standard Features/Specifications

### Performance and convenience

- Kit designed for simple conversion of standard explosion proof motor to accommodate C-Flange mount. This conversion must be done by a UL Certified shop.

### Reliability

- 2-year warranty



Frame	Weight	Model Number	Mult. Symbol	List Price
143T - 145T	10	3140XP-1	M2	\$299.34
182T - 184T	12	3180XP-1	M2	\$388.51
213T - 215T	15	3210XP-1	M2	\$190.85
254T - 256T	30	3250XP-1	M2	\$483.94
284T - 286T	45	3280XP-1	M2	\$190.85
324T - 326T	50	3320XP-1	M2	\$892.90
364T - 365T	60	3360XP-1	M2	\$1,083.74
404TS - 405TS	75	3400SXP-1	M2	\$1,240.51
404T - 405T	75	3400XP-1	M2	\$1,240.51
447TS - 449TS	0	3440SXP-1	M2	\$1,349.57
447T - 449T	0	3440XP-1	M2	\$1,349.57

Phases: 3-Phase

Frame: 143T-449T

Enclosure: Totally enclosed fan cooled (TEFC)

# Severe Duty Conversion Kits

Table 1 — NEWT & NEPE — Cast Iron

## Standard Features/Specifications

### Performance and convenience

- Cast iron fan cover kit for severe environments where a motor with all cast iron construction is required.

### Reliability

- 2-year warranty



Frame	Weight	Model Number	Mult. Symbol	List Price
143T - 145T	5	1140-NEWT	M2	\$65.76
182T - 184T	6	1180-NEWT	M2	\$73.70
213T - 215T	10	1210-NEPE	M2	\$156.43
213T - 215T	10	1210-NEWT	M2	\$156.43
254T - 256T	20	1250-NEWT	M2	\$183.68
284T - 286T	26	1280-NEPE	M2	\$250.26
284T - 286T	26	1280-NEWT	M2	\$250.26
324T - 326T	42	1320-NEPE	M2	\$312.80
324T - 326T	42	1320-NEWT	M2	\$312.80
364T - 365T	50	1360-NEPE	M2	\$417.08
364T - 365T	50	1360-NEWT	M2	\$417.08
404T - 405T	49	1400-NEPE	M2	\$729.05
404T - 405T	49	1400-NEWT	M2	\$729.05
444T - 449T	67	1440-NEPE	M2	\$781.21
444T - 449T	67	1440-NEWT	M2	\$781.21



**Phases and HP:** Single Phase, .33–2 HP  
**Enclosure:** Totally enclosed fan cooled (TEFC)  
**Frame:** 56C/CH



## General Purpose

### C-Flange w/Feet — Rolled Steel

HP	Full Load RPM	Model Number	Frame	Service Factor	Insulation Class	NEMA Design	NEMA Code	Full Load Amps @ 230V/460V	Locked Rotor Amps @ 460V	Full Load % Efficiency	Full Load Power Factor	FLT Ft-Lb	LRT (%)	BDT (%)	DE Bearing	ODE Bearing	Weight (lbs.)
0.33	3520	F56C1/3S2C	56C	1.15	F	L	L	3.83/2.12-1.92	14.23	60.7	0.92	0.5	350	416	6203-2RZC3	6203-2RZC3	20
	1770	F56C1/3S4C	56C	1.15	F	L	M	3.92/2.17-1.96	14.7	65.0	0.84	1	340	403	6203-2RZC3	6203-2RZC3	22
0.5	3520	F56C1/2S2C	56C	1.15	F	L	L	5.03/2.78-2.52	20.2	70.8	0.91	0.8	325	416	6203-2RZC3	6203-2RZC3	24
	1765	F56C1/2S4C	56C	1.15	F	L	M	5.7/3.15-2.85	21.1	71.1	0.8	1.5	320	335	6203-2RZC3	6203-2RZC3	28
0.75	3520	F56C3/4S2C	56C	1.15	F	L	L	6.82/3.77-3.41	28.2	75.1	0.95	1.1	345	378	6203-2RZC3	6203-2RZC3	26
	1760	F56C3/4S4C	56C	1.15	F	L	L	7.33/4.05-3.66	27.6	74.6	0.89	2.2	310	333	6203-2RZC3	6203-2RZC3	33
1	3520	F56C1S2C	56C	1.15	F	L	J	8.61/4.76-4.31	32.8	76.1	0.99	1.5	235	314	6203-2RZC3	6203-2RZC3	30
	1760	F56C1S4C	56C	1.15	F	L	K	9.09/5.02-4.54	34.8	77.6	0.92	3	302	302	6203-2RZC3	6203-2RZC3	36
1.5	3520	F56C1.5S2C	56C	1.15	F	L	J	12.47/6.89-6.23	49.2	81.3	0.96	2.3	230	282	6203-2RZC3	6203-2RZC3	36
	1750	F56CH1.5S4C	56CH	1.15	F	L	J	12.41/6.86-6.2	45.6	81.7	0.96	4.5	280	260	6203-2RZC3	6203-2RZC3	44
2	3510	F56CH2S2C	56CH	1.15	F	L	H	15.92/8.8-7.96	58.9	82.3	0.99	3	265	301	6203-2RZC3	6203-2RZC3	43
	1750	F56CH2S4C	56CH	1.15	F	L	H	16.17/8.94-8.08	53.9	83.6	0.96	6	266	229	6203-2RZC3	6203-2RZC3	52

**Phases and HP:** 3-Phase, .33–3 HP  
**Enclosure:** Totally enclosed fan cooled (TEFC)  
**Frame:** 56C/CH

**Inverter rated:** (10:1 VT; 5:1 CT)



## General Purpose

### C-Flange w/Feet — Rolled Steel

HP	Full Load RPM	Model Number	Frame	Service Factor	Insulation Class	NEMA Design	NEMA Code	Full Load Amps @ 230V/460V	Locked Rotor Amps @ 460V	Full Load % Efficiency	Full Load Power Factor	FLT Ft-Lb	LRT (%)	BDT (%)	DE Bearing	ODE Bearing	Weight (lbs.)
0.33	3480	F56C1/3M2A	56C	1.15	F	B	L	1.28-1.32/0.66	3.86	67.6	0.7	0.5	436	407	6203-2RZC3	6203-2RZC3	18
	3470	F56C1/3M2A-575V	56C	1.15	F	B	J	0.57	3.14	62.8	0.7	0.5	416	443	6203-2RZC3	6203-2RZC3	17
	1740	F56C1/3M4A	56C	1.15	F	B	M	1.52-1.61/0.8	3.22	66.1	0.58	1	209	312	6203-2RZC3	6203-2RZC3	23
	1750	F56C1/3M4A-575V	56C	1.15	F	B	L	0.58	2.47	69.2	0.63	1	230	352	6203-2RZC3	6203-2RZC3	17
0.5	3460	F56C1/2M2A	56C	1.15	F	B	L	1.74-1.68/0.84	5.37	71.6	0.79	0.8	386	397	6203-2RZC3	6203-2RZC3	19
	3470	F56C1/2M2A-575V	56C	1.15	F	B	J	0.67	4.47	69.3	0.82	0.8	306	348	6203-2RZC3	6203-2RZC3	18
	1740	F56C1/2M4A	56C	1.15	F	B	L	1.9-1.96/0.98	4.74	74.1	0.65	1.5	225	307	6203-2RZC3	6203-2RZC3	24
	1750	F56C1/2M4A-575V	56C	1.15	F	B	J	0.7	3.43	77.1	0.69	1.5	236	318	6203-2RZC3	6203-2RZC3	22
0.75	3460	F56C3/4M2A	56C	1.15	F	B	L	2.24-2/1	6.64	80.3	0.82	1.1	316	348	6203-2RZC3	6203-2RZC3	26
	3470	F56C3/4M2A-575V	56C	1.15	F	B	J	0.87	6.24	76.2	0.84	1.1	296	382	6203-2RZC3	6203-2RZC3	20
	1735	F56C3/4M4A	56C	1.15	F	B	L	2.43-2.34/1.17	5.66	80.7	0.73	2.3	205	207	6203-2RZC3	6203-2RZC3	25
1	1745	F56C3/4M4A-575V	56C	1.15	F	B	H	0.91	4.47	80.5	0.76	2.2	223	227	6203-2RZC3	6203-2RZC3	23
	3510	PR56C1M2A	56C	1.15	F	B	N	2.9-2.7/1.35	11.9	77.0	0.83	1.5	375	423	6203-2RZC3	6203-2RZC3	35
	1750	PR56C1M2A-575V	56C	1.15	F	B	N	1.1	9.9	78.1	0.82	1.5	384	439	6203-2RZC3	6203-2RZC3	24
	1760	PR56C1M4A	56C	1.15	F	B	N	3.3-3/1.5	10.4	85.5	0.76	3	387	452	6203-2RZC3	6203-2RZC3	31
	1760	PR56C1M4A-575V	56C	1.15	F	B	N	1.2	8.5	85.5	0.77	3	421	503	6203-2RZC3	6203-2RZC3	33
	3500	PR56C1.5M2A	56C	1.15	F	B	N	4.2-3.8/1.9	15.6	84.0	0.86	2.3	361	406	6203-2RZC3	6203-2RZC3	40
1.5	3480	PR56C1.5M2A-575V	56C	1.15	F	B	N	1.6	12.3	84.4	0.86	2.4	348	385	6203-2RZC3	6203-2RZC3	27
	1750	PR56C1.5M4A	56C	1.15	F	B	M	4.8-4.4/2.2	15.5	86.5	0.76	4.5	324	433	6203-2RZC3	6203-2RZC3	35
	1750	PR56C1.5M4A-575V	56C	1.15	F	B	M	1.8	12.6	86.5	0.79	4.6	354	437	6203-2RZC3	6203-2RZC3	36
2	3500	PR56C2M2A	56C	1.15	F	B	M	5.4-5/2.5	21.2	85.5	0.87	3	388	419	6203-2RZC3	6203-2RZC3	45
	1740	PR56C2M2A-575V	56C	1.15	F	B	M	2.1	17.2	85.5	0.87	3	373	424	6203-2RZC3	6203-2RZC3	33
	1740	PR56CH2M4A	56CH	1.15	F	B	L	5.9-5.7/2.85	21.6	86.5	0.79	6.1	336	384	6203-2RZC3	6203-2RZC3	48
	1750	PR56CH2M4A-575V	56CH	1.15	F	B	L	2.4	16.7	86.5	0.8	6	321	394	6203-2RZC3	6203-2RZC3	40
3	3510	PR56CH3M2A	56CH	1.15	F	B	L	8.2-7.6/3.8	34.6	86.5	0.84	4.5	307	418	6203-2RZC3	6203-2RZC3	54
	1750	PR56CH3M2A-575V	56CH	1.15	F	B	L	2.9	28.2	86.5	0.82	4.5	293	384	6203-2RZC3	6203-2RZC3	42



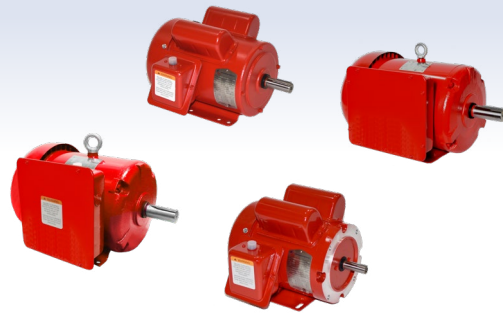
**Phases and HP:** 3-Phase, 1–10 HP **Inverter rated:** (10:1 VT; 5:1 CT)  
**Enclosure:** Totally enclosed fan cooled (TEFC)  
**Frame:** 143T–215T



## General Purpose Rolled Steel

HP	Full Load RPM	Model Number	Frame	Service Factor	Insulation Class	NEMA Design	NEMA Code	Full Load Amps @ 230V/460V	Locked Rotor Amps @ 460V	Full Load % Efficiency	Full Load Power Factor	FLT Ft-Lb	LRT (%)	BDT (%)	DE Bearing	ODE Bearing	Weight (lbs.)
1	1760	PR143T1M4A	143T	1.15	F	B	N	3.3-3/1.5	14	85.5	0.73	3	375	466	6205-2RZC3	6203-2RZC3	33
	3520	PR143T1.5M2A	143T	1.15	F	B	M	4.3-4/2	18	84.0	0.84	2.3	304	401	6205-2RZC3	6203-2RZC3	29
1.5	1770	PR145T1.5M4A	145T	1.15	F	B	M	4.8-4.4/2.2	18.9	86.5	0.74	4.4	349	441	6205-2RZC3	6203-2RZC3	38
	3520	PR145T2M2A	145T	1.15	F	B	L	5.4-5/2.5	21	85.5	0.88	3	268	352	6205-2RZC3	6203-2RZC3	32
2	1760	PR145T2M4A	145T	1.15	F	B	L	6.5-6/3	23	86.5	0.73	6	339	416	6205-2RZC3	6203-2RZC3	41
	3530	PR182T3M2A	182T	1.15	F	B	K	8.2-7.6/3.8	29	86.5	0.87	4.5	231	392	6206-2RZC3	6205-2RZC3	76
3	1760	PR182T3M4A	182T	1.15	F	B	K	8.6-8/4	30	89.5	0.82	8.9	226	361	6206-2RZC3	6205-2RZC3	83
	3510	PR184T5M2A	184T	1.15	F	B	J	13-11.8/5.9	42	88.5	0.91	7.5	213	321	6206-2RZC3	6205-2RZC3	83
5	1750	PR184T5M4A	184T	1.15	F	B	J	13.5-12.4/6.2	43	89.5	0.8	15.1	218	309	6206-2RZC3	6205-2RZC3	91
	3530	PR213T7.5M2A	213T	1.15	F	B	H	20-18.4/9.2	61.2	89.5	0.86	11.1	194	251	6307-2RZC3	6206-2RZC3	125
7.5	1750	PR213T7.5M4A	213T	1.15	F	B	H	21-19.2/9.6	59.9	91.7	0.8	22.7	207	264	6307-2RZC3	6206-2RZC3	129
	3530	PR215T10M2A	215T	1.15	F	B	H	26-24/12	76	90.2	0.87	15.1	173	297	6307-2RZC3	6206-2RZC3	130
10	1750	PR215T10M4A	215T	1.15	F	B	G	27.5-25.2/12.6	76.8	91.7	0.81	30.2	199	270	6307-2RZC3	6206-2RZC3	149

**Phases and HP:** Single Phase, .33–10 HP  
**Enclosure:** Totally enclosed fan cooled (TEFC)  
**Frame:** 56C–215T



## General Purpose Farm Duty — Rolled Steel

HP	Full Load RPM	Model Number	Frame	Service Factor	Insulation Class	NEMA Design	NEMA Code	Full Load Amps @ 230V/460V	Locked Rotor Amps @ 460V	Full Load % Efficiency	Full Load Power Factor	FLT Ft-Lb	LRT (%)	BDT (%)	DE Bearing	ODE Bearing	Weight (lbs.)
0.33	1770	F56C1/3S4C-MO	56C	1.15	F	L	M	3.92/2.17-1.96	14.7	65.0	0.84	1	340	403	6203-2RZC3	6203-2RZC3	22
0.5	1765	F56C1/2S4C-MO	56C	1.15	F	L	M	5.7/3.15-2.85	21.1	71.1	0.8	1.5	320	335	6203-2RZC3	6203-2RZC3	28
0.75	1760	F56C3/4S4C-MO	56C	1.15	F	L	L	7.33/4.05-3.66	27.6	74.6	0.89	2.2	310	333	6203-2RZC3	6203-2RZC3	33
1	1760	F56C1S4C-MO	56C	1.15	F	L	K	9.09/5.02-4.54	34.8	77.6	0.92	3	302	302	6203-2RZC3	6203-2RZC3	36
	1750	F143T1S4C-MO	143T	1.15	F	L	K	9.2/5-4.7	34.5	74.0	0.91	3	286	232	6205-2RZC3	6203-2RZC3	41
1.5	1750	F56CH1.5S4C-MO	56CH	1.15	F	L	J	12.41/6.86-6.2	45.6	81.7	0.96	4.5	280	260	6203-2RZC3	6203-2RZC3	44
	1745	F145T1.5S4C-MO	145T	1.15	F	L	J	13.3/7.1-6.6	49	77.0	0.95	4.5	260	241	6205-2RZC3	6203-2RZC3	45
2	1750	F56CH2S4C-MO	56CH	1.15	F	L	H	16.17/8.94-8.08	53.9	83.6	0.96	6	266	229	6203-2RZC3	6203-2RZC3	52
	1745	F145T2S4C-MO	145T	1.15	F	L	J	16.5/9-8.3	63	82.0	0.96	6	293	245	6205-2RZC3	6203-2RZC3	50
3	1735	F182T3S4C-MO	182T	1.15	F	L	H	14.5-12.6/6.4	87.6	81.5	0.94	9.1	276	240	6206-2RZC3	6205-2RZC3	92
5	3490	F184T5S2C-MO	184T	1.15	F	L	D	20/10	99.4	81.2	0.99	7.5	157	200	6206-2RZC3	6205-2RZC3	115
	1740	F184T5S4C-MO	184T	1.15	F	L	G	22.8-20/10	134.6	84.7	0.94	15.2	243	220	6206-2RZC3	6205-2RZC3	110
7.5	1740	F213T7.5S4C	213T	1.15	F	L	H	34-29.5/15	227.5	84.4	0.96	22.5	321	240	6307-2RZC3	6206-2RZC3	140
10	1738	F215T10S4C	215T	1	F	L	G	43-37.8/18.9	258.9	88.7	0.97	30.2	299	225	6307-2RZC3	6206-2RZC3	150

Phases and HP: 3-Phase, 1–10 HP

Inverter duty: (20:1 VT; 10:1 CT)

Enclosure: Totally enclosed fan cooled (TEFC)

Frame: 143T–215T



# General Purpose Aluminum

HP	Full Load RPM	Model Number	Frame	Service Factor	Insulation Class	NEMA Design	NEMA Code	Full Load Amps @ 230V/460V	Locked Rotor Amps @ 460V	Full Load % Efficiency	Full Load Power Factor	FLT Ft-Lb	LRT (%)	BDT (%)	DE Bearing	ODE Bearing	Weight (lbs.)
1	1745	APE143T-1-4	143T	1.15	F	B	M	3.2-3.0/1.5	15	85.5	0.71	3	275	310	6205-ZZ	6205-ZZ	35
1.5	3520	APE143T-1.5-2	143T	1.15	F	B	M	4.4-4.0/2.0	20	84.0	0.74	2.2	200	280	6205-ZZ	6205-ZZ	33
	1750	APE145T-1.5-4	145T	1.15	F	B	M	4.7-4.4/2.2	20	86.5	0.7	4.5	250	330	6205-ZZ	6205-ZZ	39
2	3510	APE145T-2-2	145T	1.15	F	B	L	5.8-5.3/2.65	25	85.5	0.82	3	190	285	6205-ZZ	6205-ZZ	37
	1745	APE145T-2-4	145T	1.15	F	B	L	6.6-6.2/3.1	25	86.5	0.72	6.1	235	280	6205-ZZ	6205-ZZ	42
3	3520	APE182T-3-2	182T	1.15	F	B	K	7.9-7.4/3.7	32	86.5	0.85	4.5	180	280	6206-ZZ	6206-ZZ	65
	1760	APE182T-3-4	182T	1.15	F	B	K	8.2-7.6/3.8	32	89.5	0.77	9	200	300	6206-ZZ	6206-ZZ	68
5	3515	APE184T-5-2	184T	1.15	F	B	J	13-11.6/5.8	46	88.5	0.9	7.5	170	285	6206-ZZ	6206-ZZ	82
	1755	APE184T-5-4	184T	1.15	F	B	J	14-13.6/6.8	46	89.5	0.78	15	185	280	6206-ZZ	6206-ZZ	81
7.5	3530	APE213T-7.5-2	213T	1.15	F	B	H	18.8-17.6/8.8	63	89.5	0.9	11.2	160	290	6208-ZZ	6208-ZZ	105
	1770	APE213T-7.5-4	213T	1.15	F	B	H	19.8-18.4/9.2	63	91.7	0.8	22.5	160	270	6208-ZZ	6208-ZZ	106
10	3525	APE215T-10-2	215T	1.15	F	B	H	23.9-22.8/11.4	81	90.2	0.92	14.9	160	290	6208-ZZ	6208-ZZ	123
	1770	APE215T-10-4	215T	1.15	F	B	H	26-24/12	81	91.7	0.81	30	160	260	6208-ZZ	6208-ZZ	118

GENERAL PURPOSE MOTORS

SPECIAL PURPOSE MOTORS

ACCESSORIES

APPENDIX



**Phases and HP:** 3-Phase, 1–600 HP  
**Enclosure:** Totally enclosed fan cooled (TEFC)  
**Frame:** 143T–586/7UZ

**Inverter duty:** 1–300 HP  
 (20:1 VT; 10:1 CT)  
**Inverter rated:** 350–600 HP  
 (10:1 VT; 5:1 CT)



# General Purpose

## Heavy Duty Cast Iron

GENERAL PURPOSE MOTORS

SPECIAL PURPOSE MOTORS

ACCESSORIES

APPENDIX

HP	Full Load RPM	Model Number	Frame	Service Factor	Insulation Class	NEMA Design	NEMA Code	Full Load Amps @ 230V/460V	Locked Rotor Amps @ 460V	Full Load % Efficiency	Full Load Power Factor	FLT Ft-Lb	LRT (%)	BDT (%)	DE Bearing	ODE Bearing	Weight (lbs.)
1	1745	PE143T-1-4	143T	1.15	F	B	M	3.2-3/1.5	15	85.5	0.71	3	275	310	6205-ZZ	6205-ZZ	47
	1485	PE143T-1-4-575V	143T	1.15	F	B	M	1.2	12	85.5	0.71	3	275	310	6205-ZZ	6205-ZZ	47
	1160	PE145T-1-6	145T	1.15	F	B	M	4-3.6/1.8	15	82.5	0.62	4.6	200	290	6205-ZZ	6205-ZZ	53
		PE145T-1-6-575V	145T	1.15	F	B	M	1.4	12	82.5	0.62	4.6	200	290	6205-ZZ	6205-ZZ	52
1.5	3520	PE143T-1.5-2	143T	1.15	F	B	M	4.4-4/2	20	84.0	0.74	2.2	200	280	6205-ZZ	6205-ZZ	46
		PE143T-1.5-2-575V	143T	1.15	F	B	M	1.6	16	84.0	0.48	2.2	200	280	6205-ZZ	6205-ZZ	46
	1750	PE145T-1.5-4	145T	1.15	F	B	M	4.7-4.4/2.2	20	86.5	0.7	4.5	250	330	6205-ZZ	6205-ZZ	50
		PE145T-1.5-4-575V	145T	1.15	F	B	M	1.8	16	86.5	0.7	4.5	250	330	6205-ZZ	6205-ZZ	53
	1175	PE182T-1.5-6	182T	1.15	F	B	M	5.2-4.8/2.4	20	87.5	0.68	6.8	200	290	6306-ZZ	6306-ZZ	87
		PE182T-1.5-6-575V	182T	1.15	F	B	M	1.9	16	87.5	0.68	6.8	200	290	6306-ZZ	6306-ZZ	95
2	3510	PE145T-2-2	145T	1.15	F	B	L	5.8-5.3/2.65	25	85.5	0.82	3	190	285	6205-ZZ	6205-ZZ	48
		PE145T-2-2-575V	145T	1.15	F	B	L	2.1	20	85.5	0.82	3	190	285	6205-ZZ	6205-ZZ	52
	1745	PE145T-2-4	145T	1.15	F	B	L	6.6-6.2/3.1	25	86.5	0.72	6.1	235	280	6205-ZZ	6205-ZZ	56
		PE145T-2-4-575V	145T	1.15	F	B	L	2.5	20	86.5	0.72	6.1	235	280	6205-ZZ	6205-ZZ	57
	1180	PE184T-2-6	184T	1.15	F	B	L	6.4-5.9/2.95	25	88.5	0.7	9.1	190	280	6306-ZZ	6306-ZZ	91
		PE184T-2-6-575V	184T	1.15	F	B	L	2.4	20	88.5	0.7	9.1	190	280	6306-ZZ	6306-ZZ	103
3	3480	PE145T-3-2	145T	1.15	F	B	K	9-8.2/4.1	32	86.5	0.8	4.6	200	300	6205-ZZ	6205-ZZ	54
		PE182T-3-2	182T	1.15	F	B	K	7.9-7.4/3.7	32	86.5	0.85	4.5	180	280	6306-ZZ	6306-ZZ	86
	3520	PE182T-3-2-575V	182T	1.15	F	B	K	2.96	26	86.5	0.85	4.5	180	280	6306-ZZ	6306-ZZ	90
		PE182T-3-4	182T	1.15	F	B	K	8.2-7.6/3.8	32	89.5	0.77	9	215	300	6306-ZZ	6306-ZZ	90
	1760	PE182T-3-4-575V	182T	1.15	F	B	K	3.04	26	89.5	0.77	9	215	300	6306-ZZ	6306-ZZ	97
		PE213T-3-6	213T	1.15	F	B	K	9.2-8.4/4.2	32	89.5	0.7	13.5	190	280	6308-ZZ	6308-ZZ	146
5	1185	PE213T-3-6-575V	213T	1.15	F	B	K	3.36	26	89.5	0.7	13.5	190	280	6308-ZZ	6308-ZZ	136
		PE184T-5-2	184T	1.15	F	B	J	13-11.6/5.8	46	88.5	0.9	7.5	170	285	6306-ZZ	6306-ZZ	102
	3515	PE184T-5-2-575V	184T	1.15	F	B	J	4.64	37	88.5	0.9	7.5	170	285	6306-ZZ	6306-ZZ	110
		PE184T-5-4	184T	1.15	F	B	J	14-13.6/6.8	46	89.5	0.78	15	185	280	6306-ZZ	6306-ZZ	101
	1755	PE184T-5-4-575V	184T	1.15	F	B	J	5.44	37	89.5	0.78	15	185	280	6306-ZZ	6306-ZZ	94
		PE215T-5-6	215T	1.15	F	B	J	15.6-14.2/7.1	46	89.5	0.73	22.5	190	280	6308-ZZ	6308-ZZ	151
7.5	1180	PE215T-5-6-575V	215T	1.15	F	B	J	5.68	37	89.5	0.73	22.5	190	280	6308-ZZ	6308-ZZ	162
		PE184T-7.5-2	184T	1.15	F	B	H	18.8-17.6/8.8	63	89.5	0.9	11.3	190	300	6306-ZZ	6306-ZZ	117
	3500	PE213T-7.5-2	213T	1.15	F	B	H	18.8-17.6/8.8	63	89.5	0.9	11.2	160	290	6308-ZZ	6308-ZZ	154
		PE213T-7.5-2-575V	213T	1.15	F	B	H	7	50	89.5	0.9	11.2	160	290	6308-ZZ	6308-ZZ	145
	3530	PE213T-7.5-4	213T	1.15	F	B	H	19.8-18.4/9.2	63	91.7	0.8	22.5	180	280	6308-ZZ	6308-ZZ	155
		PE213T-7.5-4-575V	213T	1.15	F	B	H	7.4	50	91.7	0.8	22.5	180	280	6308-ZZ	6308-ZZ	155
10	1185	PE254T-7.5-6	254T	1.15	F	B	H	21-19.6/9.8	63	91.0	0.74	33.7	185	280	6309	6309	242
		PE254T-7.5-6-575V	254T	1.15	F	B	H	7.8	50	91.0	0.48	33.7	185	280	6309	6309	272
	3525	PE215T-10-2	215T	1.15	F	B	H	23.9-22.8/11.4	81	90.2	0.92	14.9	160	290	6308-ZZ	6308-ZZ	162
		PE215T-10-2-575V	215T	1.15	F	B	H	9.1	65	90.2	0.92	14.9	160	290	6308-ZZ	6308-ZZ	167
	1770	PE215T-10-4	215T	1.15	F	B	H	26-24/12	81	91.7	0.81	30	170	280	6308-ZZ	6308-ZZ	178
		PE215T-10-4-575V	215T	1.15	F	B	H	9.6	65	91.7	0.81	30	170	280	6308-ZZ	6308-ZZ	206
15	3540	PE256T-10-6	256T	1.15	F	B	H	27.2-25.6/12.8	81	91.0	0.76	44.9	180	270	6309	6309	261
		PE256T-10-6-575V	256T	1.15	F	B	H	10.2	65	91.0	0.76	44.9	180	270	6309	6309	293
	3510	PE215T-15-2	215T	1.15	F	B	G	37-35/17.5	116	91.0	0.91	22.4	170	280	6308-ZZ	6308-ZZ	179
		PE254T-15-2	254T	1.15	F	B	G	36.2-34.4/17.2	116	91.0	0.89	22.2	150	260	6309	6309	260
	3545	PE254T-15-2-575V	254T	1.15	F	B	G	13.76	93	91.0	0.89	22.2	150	260	6309	6309	286
		PE254T-15-4	254T	1.15	F	B	G	37.2-36.4/18.2	116	92.4	0.81	44.8	170	260	6309	6309	275
1770	PE254T-15-4-575V	254T	1.15	F	B	G	14.56	93	92.4	0.81	44.8	170	260	6309	6309	285	
	PE284T-15-6	284T	1.15	F	B	G	41-38/19	116	91.7	0.77	67.1	160	240	6311	6311	315	
20	3540	PE284T-15-6-575V	284T	1.15	F	B	G	15.2	93	91.7	0.77	67.1	160	240	6311	6311	363
		PE256T-20-2	256T	1.15	F	B	G	48.5-46/23	145	91.0	0.87	29.8	150	250	6309	6309	280
	1760	PE256T-20-2-575V	256T	1.15	F	B	G	18.4	116	91.0	0.87	29.8	150	250	6309	6309	315
		PE256T-20-4	256T	1.15	F	B	G	51.8-48.4/24.2	145	93.0	0.83	59.8	160	260	6309	6309	317
	1185	PE256T-20-4-575V	256T	1.15	F	B	G	19.36	116	93.0	0.83	59.8	160	260	6309	6309	317
		PE286T-20-6	286T	1.15	F	B	G	54.7-50/25	145	91.7	0.79	89.4	160	250	6311	6311	394
PE286T-20-6-575V	286T	1.15	F	B	G	20	116	91.7	0.79	89.4	160	250	6311	6311	394		



**Phases and HP:** 3-Phase, 1–600 HP  
**Enclosure:** Totally enclosed fan cooled (TEFC)  
**Frame:** 143T–586/7UZ

**Inverter duty:** 1–300 HP  
 (20:1 VT; 10:1 CT)  
**Inverter rated:** 350–600 HP  
 (10:1 VT; 5:1 CT)



# General Purpose

## Heavy Duty Cast Iron

HP	Full Load RPM	Model Number	Frame	Service Factor	Insulation Class	NEMA Design	NEMA Code	Full Load Amps @ 230V/460V	Locked Rotor Amps @ 460V	Full Load % Efficiency	Full Load Power Factor	FLT Ft-Lb	LRT (%)	BDT (%)	DE Bearing	ODE Bearing	Weight (lbs.)
25	3535	PE256T-25-2	256T	1.15	F	B	G	60-56/28	182	91.7	0.91	37.2	160	260	6309	6309	298
	3540	PE284T-25-2	284T	1.15	F	B	G	61-57/28.5	182	91.7	0.9	37.2	150	240	6311	6311	383
	1775	PE284T-25-4	284T	1.15	F	B	G	65-60/30	182	93.6	0.84	74.3	160	255	6311	6311	364
		PE284T-25-4-575V	284T	1.15	F	B	G	24	146	93.6	0.84	48.3	160	255	6311	6311	398
	3540	PE284TS-25-2	284TS	1.15	F	B	G	61-57/28.5	182	91.7	0.9	37.2	150	240	6311	6311	383
		PE284TS-25-2-575V	284TS	1.15	F	B	G	22.8	146	91.7	0.9	37.2	150	240	6311	6311	385
	1775	PE284TS-25-4	284TS	1.15	F	B	G	65-60/30	182	93.6	0.84	74.3	160	255	6311	6311	364
		PE324T-25-6	324T	1.15	F	B	G	67-61/30.5	182	93.0	0.78	111.3	160	255	6312	6312	477
	30	1185	PE324T-25-6-575V	324T	1.15	F	B	G	24.4	146	93.0	0.78	111.3	160	255	6312	6312
PE286T-30-2			286T	1.15	F	B	G	74-69/34.5	217	91.7	0.9	44.5	150	260	6311	6311	391
1775		PE286T-30-4	286T	1.15	F	B	G	76-70.6/35.3	217	93.6	0.84	89.1	160	250	6311	6311	409
		PE286T-30-4-575V	286T	1.15	F	B	G	28.2	148	93.6	0.84	89.1	160	250	6311	6311	437
3530		PE286TS-30-2	286TS	1.15	F	B	G	74-69/34.5	217	91.7	0.9	44.5	150	260	6311	6311	391
		PE286TS-30-2-575V	286TS	1.15	F	B	G	27.6	148	91.7	0.9	44.5	150	260	6311	6311	409
1775		PE286TS-30-4	286TS	1.15	F	B	G	76-70.6/35.3	217	93.6	0.84	89.1	160	250	6311	6311	409
		1185	PE326T-30-6	326T	1.15	F	B	G	78-71.8/35.9	217	93.0	0.8	133.6	155	255	6312	6312
PE326T-30-6-575V			326T	1.15	F	B	G	28.7	148	93.0	0.8	133.6	155	255	6312	6312	537
40	3540	PE286T-40-2	286T	1.15	F	B	G	95-89/44.5	290	92.4	0.91	59.2	180	290	6311	6311	401
		PE286TS-40-2	286TS	1.15	F	B	G	95-89/44.5	290	92.4	0.91	59.2	180	290	6311	6311	401
	3545	PE324T-40-2	324T	1.15	F	B	G	94.9-91/45.5	290	92.4	0.9	59.2	140	250	6312	6312	532
		PE324T-40-4	324T	1.15	F	B	G	100-93.2/46.6	290	94.1	0.83	118.8	160	245	6312	6312	513
	1780	PE324T-40-4-575V	324T	1.15	F	B	G	37.3	232	94.1	0.83	118.8	160	245	6312	6312	519
		PE324TS-40-2	324TS	1.15	F	B	G	94.9-91/45.5	290	92.4	0.9	59.2	140	250	6312	6312	495
	3545	PE324TS-40-2-575V	324TS	1.15	F	B	G	36.4	232	92.4	0.9	59.2	180	290	6312	6312	414
		1780	PE324TS-40-4	324TS	1.15	F	B	G	100-93.2/46.6	290	94.1	0.83	118.8	160	245	6312	6312
	1188	PE364T-40-6	364T	1.15	F	B	G	110-100/50	290	94.1	0.78	178.1	155	250	6313	6313	724
		PE364T-40-6-575V	364T	1.15	F	B	G	40	232	94.1	0.78	178.1	155	250	6313	6313	697
	50	3545	PE326T-50-2	326T	1.15	F	B	G	124-116.2/58.1	362	93.0	0.91	73.9	140	250	6312	6312
PE326T-50-4			326T	1.15	F	B	G	124-116.6/58.3	362	94.5	0.83	148.4	160	255	6312	6312	592
1780		PE326T-50-4-575V	326T	1.15	F	B	G	46.6	290	94.5	0.83	148.4	160	255	6312	6312	594
		PE326TS-50-2	326TS	1.15	F	B	G	124-116.2/58.1	362	93.0	0.91	73.9	140	250	6312	6312	568
3545		PE326TS-50-2-575V	326TS	1.15	F	B	G	46.48	290	93.0	0.91	73.9	140	250	6312	6312	548
		1780	PE326TS-50-4	326TS	1.15	F	B	G	124-116.6/58.3	362	94.5	0.83	148.4	160	255	6312	6312
1187		PE365T-50-6	365T	1.15	F	B	G	132-124/62	362	94.1	0.79	222.6	150	260	6313	6313	779
		PE365T-50-6-575V	365T	1.15	F	B	G	49.6	290	94.1	0.79	222.6	150	260	6313	6313	752
60	3565	PE364T-60-2	364T	1.15	F	B	G	146-132/66	435	93.6	0.92	88.6	140	255	6313	6313	805
		PE364T-60-4	364T	1.15	F	B	G	154-139/69.5	435	95.0	0.85	177.6	160	240	6313	6313	801
	1780	PE364T-60-4-575V	364T	1.15	F	B	G	55.6	348	95.0	0.85	177.6	160	240	6313	6313	766
		PE364TS-60-2	364TS	1.15	F	B	G	146-132/66	435	93.6	0.92	88.6	140	255	6313	6313	805
	3565	PE364TS-60-2-575V	364TS	1.15	F	B	G	52.8	348	93.6	0.92	88.6	140	255	6313	6313	704
		1780	PE364TS-60-4	364TS	1.15	F	B	G	154-139/69.5	435	95.0	0.85	177.6	160	240	6313	6313
	1190	PE404T-60-6	404T	1.15	F	B	G	154-140/70	435	94.5	0.81	268	150	250	NU318	6314	959
		PE404T-60-6-575V	404T	1.15	F	B	G	56	348	94.5	0.81	268	150	250	NU318	6314	1000
75	3565	PE404T-60-6-BB	404T	1.15	F	B	G	154-140/70	435	94.5	0.81	268	150	250	6318	6314	959
		PE365T-75-2	365T	1.15	F	B	G	184-166/83	542	93.6	0.91	110.7	130	250	6313	6313	833
	1780	PE365T-75-4	365T	1.15	F	B	G	193-174/87	542	95.4	0.85	222	160	250	6313	6313	823
		PE365T-75-4-575V	365T	1.15	F	B	G	69.6	434	95.4	0.85	222	160	250	6313	6313	868
	3565	PE365TS-75-2	365TS	1.15	F	B	G	184-166/83	542	93.6	0.91	110.7	130	250	6313	6313	833
		PE365TS-75-2-575V	365TS	1.15	F	B	G	66.4	434	93.6	0.91	110.7	130	250	6313	6313	766
	1780	PE365TS-75-4	365TS	1.15	F	B	G	193-174/87	542	95.4	0.85	222	160	250	6313	6313	826
		PE405T-75-6	405T	1.15	F	B	G	193-174/87	542	94.5	0.83	335	150	230	NU318	6314	1085
1190	PE405T-75-6-575V	405T	1.15	F	B	G	69.6	434	94.5	0.83	335	150	230	NU318	6314	1120	
	PE405T-75-6-BB	405T	1.15	F	B	G	193-174/87	542	94.5	0.83	335	150	230	6318	6314	1085	

GENERAL PURPOSE MOTORS

SPECIAL PURPOSE MOTORS

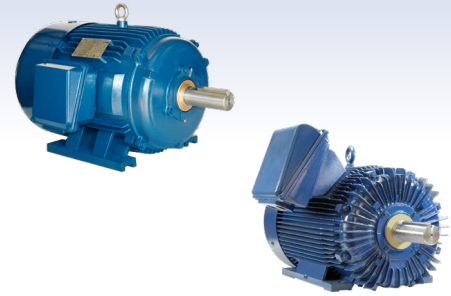
ACCESSORIES

APPENDIX



**Phases and HP:** 3-Phase, 1–600 HP  
**Enclosure:** Totally enclosed fan cooled (TEFC)  
**Frame:** 143T–586/7UZ

**Inverter duty:** 1–300 HP  
 (20:1 VT; 10:1 CT)  
**Inverter rated:** 350–600 HP  
 (10:1 VT; 5:1 CT)



# General Purpose

## Heavy Duty Cast Iron

GENERAL PURPOSE MOTORS

SPECIAL PURPOSE MOTORS

ACCESSORIES

APPENDIX

HP	Full Load RPM	Model Number	Frame	Service Factor	Insulation Class	NEMA Design	NEMA Code	Full Load Amps @ 230V/460V	Locked Rotor Amps @ 460V	Full Load % Efficiency	Full Load Power Factor	FLT Ft-Lb	LRT (%)	BDT (%)	DE Bearing	ODE Bearing	Weight (lbs.)
100	3570	PE405T-100-2	405T	1.15	F	B	G	248-224/112	725	94.1	0.9	147.2	130	245	6314	6314	1107
		PE405T-100-4	405T	1.15	F	B	G	248-224/112	725	95.4	0.87	295.2	155	240	NU318	6314	1228
		PE405T-100-4-575V	405T	1.15	F	B	G	89.6	580	95.4	0.87	295.2	155	240	NU318	6314	1058
	1790	PE405T-100-4-BB	405T	1.15	F	B	G	248-224/112	725	95.4	0.87	295.2	155	240	6318	6314	1228
		PE405TS-100-2	405TS	1.15	F	B	G	248-224/112	725	94.1	0.9	147.2	130	245	6314	6314	1107
		PE405TS-100-2-575V	405TS	1.15	F	B	G	89.6	580	94.1	0.9	147.2	130	245	6314	6314	1040
	3570	PE405TS-100-4	405TS	1.15	F	B	G	248-224/112	725	95.4	0.87	295.2	155	240	6318	6314	1228
		PE444T-100-6	444T	1.15	F	B	G	250-232/116	725	95.0	0.81	442.5	150	245	NU319	6318	1364
		PE444T-100-6-575V	444T	1.15	F	B	G	92.8	580	95.0	0.81	442.5	150	245	NU319	6318	1320
	1185	PE444T-100-6-IN	444T	1.15	F	B	G	250-232/116	725	95.0	0.81	442.5	150	245	NU319	6318/C3VL0241	1364
		PE444T-125-4	444T	1.15	F	B	G	145	907	95.4	0.87	368.9	150	250	NU319	6318	1471
		PE444T-125-4-575V	444T	1.15	F	B	G	116	726	95.4	0.87	368.9	150	250	NU319	6318	1342
1785	PE444T-125-4-BB	444T	1.15	F	B	G	145	907	95.4	0.87	368.9	150	250	6319	6318	1471	
	PE444T-125-4-IN	444T	1.15	F	B	G	145	907	95.4	0.87	368.9	150	250	NU319	6318/C3VL0241	1471	
	PE444TS-125-2	444TS	1.15	F	B	G	140	907	95.0	0.92	183.8	130	250	6314	6314	1331	
	PE444TS-125-2-575V	444TS	1.15	F	B	G	112	726	95.0	0.92	183.8	130	250	6314	6314	1247	
	PE444TS-125-2-IN	444TS	1.15	F	B	G	140	907	95.0	0.92	183.8	130	250	6314	6314/C3VL0241	1331	
	PE444TS-125-4	444TS	1.15	F	B	G	145	907	95.4	0.87	368.9	150	250	6319	6318	1471	
3580	PE445T-125-6	445T	1.15	F	B	G	145	907	95.0	0.81	553.5	150	245	NU319	6318	1562	
	PE445T-125-6-575V	445T	1.15	F	B	G	27.6	726	95.0	0.81	553.5	150	245	NU319	6318	1400	
	PE445T-125-6-IN	445T	1.15	F	B	G	147	907	95.0	0.81	553.5	150	245	NU319	6318/C3VL0241	1562	
150	1790	PE445T-150-4	445T	1.15	F	B	G	171	1085	95.8	0.87	442.7	150	250	NU319	6318	1683
		PE445T-150-4-575V	445T	1.15	F	B	G	136.8	868	95.8	0.87	442.5	150	250	NU319	6318	1672
		PE445T-150-4-BB	445T	1.15	F	B	G	171	1085	95.8	0.87	442.7	150	250	6319	6318	1683
	3580	PE445T-150-4-IN	445T	1.15	F	B	G	171	1085	95.8	0.87	442.7	150	250	NU319	6318/C3VL0241	1683
		PE445TS-150-2	445TS	1.15	F	B	G	166	1085	95.0	0.9	220.4	130	245	6314	6314	1459
		PE445TS-150-2-575V	445TS	1.15	F	B	G	132.8	868	95.0	0.9	220.4	130	245	6314	6314	1408
	1790	PE445TS-150-2-IN	445TS	1.15	F	B	G	166	1085	95.0	0.9	220.4	130	245	6314	6314/C3VL0241	1459
		PE445TS-150-4	445TS	1.15	F	B	G	171	1085	95.8	0.87	442.7	150	250	6319	6318	1683
		PE447T-150-6	447T	1.15	F	B	G	173	1085	95.8	0.82	664.5	140	250	NU319	6318	1826
	1188	PE447T-150-6-575V	447T	1.15	F	B	G	138.4	868	95.8	0.82	664.5	140	250	NU319	6318	1800
		PE447T-150-6-IN	447T	1.15	F	B	G	173	1085	95.8	0.82	664.5	140	250	NU319	6318/C3VL0241	1826
		PE447T-200-4	447T	1.15	F	B	G	220	1450	96.2	0.87	590.3	145	240	NU319	6318	1890
200	1790	PE447T-200-4-575V	447T	1.15	F	B	G	176	1160	96.2	0.87	590.3	145	240	NU319	6318	1782
		PE447T-200-4-BB	447T	1.15	F	B	G	220	1450	96.2	0.87	590.3	145	240	6319	6318	1890
		PE447T-200-4-IN	447T	1.15	F	B	G	220	1450	96.2	0.87	590.3	145	240	NU319	6318/C3VL0241	1890
	3580	PE447TS-200-2	447TS	1.15	F	B	G	222	1450	95.4	0.92	293.9	130	240	6314	6314	1761
		PE447TS-200-2-575V	447TS	1.15	F	B	G	177.6	1160	95.4	0.92	293.9	130	240	6314	6314	1584
		PE447TS-200-2-IN	447TS	1.15	F	B	G	222	1450	95.4	0.92	293.9	130	240	6314	6314/C3VL0241	1761
1790	PE447TS-200-4	447TS	1.15	F	B	G	220	1450	96.2	0.87	590.3	145	240	6319	6318	1866	
	PE449T-200-6	449T	1.15	F	B	G	230	1450	95.8	0.83	885	140	245	NU319	6318	2151	
	PE449T-200-6-575V	449T	1.15	F	B	G	184	1160	95.8	0.83	885	140	245	NU319	6318	2100	
250	1185	PE449T-200-6-IN	449T	1.15	F	B	G	230	1450	95.8	0.83	885	140	245	NU319	6318/C3VL0241	2151
		PE449T-250-4	449T	1.15	F	B	G	275	1825	96.2	0.87	737.8	140	250	NU319	6318	2064
		PE449T-250-4-575V	449T	1.15	F	B	G	220	1460	96.2	0.87	737.8	140	250	NU319	6318	2150
	1790	PE449T-250-4-BB	449T	1.15	F	B	G	275	1825	96.2	0.87	737.8	140	250	6319	6318	2064
		PE449T-250-4-IN	449T	1.15	F	B	G	275	1825	96.2	0.87	737.8	140	250	NU319	6318/C3VL0241	2064
		PE449T-250-6	449T	1.15	F	B	G	280	1825	95.8	0.82	1110	140	220	NU319	6318	2387
	1185	PE449T-250-6-575V	449T	1.15	F	B	G	224	1460	95.8	0.82	1110	140	220	NU319	6318	2323
		PE449T-250-6-IN	449T	1.15	F	B	G	280	1825	95.8	0.82	1110	140	220	NU319	6318/C3VL0241	2387
		PE449TS-250-2	449TS	1.15	F	B	G	266	1825	95.8	0.91	367.4	130	240	6314	6314	1954
	3580	PE449TS-250-2-575V	449TS	1.15	F	B	G	212.8	1460	95.8	0.91	367.4	130	240	6314	6314	1870
		PE449TS-250-2-IN	449TS	1.15	F	B	G	266	1825	95.8	0.91	367.4	130	240	6314	6314/C3VL0241	1954





**Phases and HP:** 3-Phase, 1–600 HP  
**Enclosure:** Totally enclosed fan cooled (TEFC)  
**Frame:** 143T–586/7UZ

**Inverter duty:** 1–300 HP  
 (20:1 VT; 10:1 CT)  
**Inverter rated:** 350–600 HP  
 (10:1 VT; 5:1 CT)



# General Purpose

## Heavy Duty Cast Iron

HP	Full Load RPM	Model Number	Frame	Service Factor	Insulation Class	NEMA Design	NEMA Code	Full Load Amps @ 230V/460V	Locked Rotor Amps @ 460V	Full Load % Efficiency	Full Load Power Factor	FLT Ft-Lb	LRT (%)	BDT (%)	DE Bearing	ODE Bearing	Weight (lbs.)
300	1790	PE449TS-300-4	449TS	1.15	F	B	G	330	2200	96.2	0.87	885.4	140	245	6319	6318	2172
		PE449T-300-4	449T	1.15	F	B	G	330	2200	96.2	0.87	885.4	140	245	6319	6318	2196
		PE449T-300-4-575V	449T	1.15	F	B	G	264	1760	96.2	0.87	885.4	140	245	NU319	6318	2220
		PE449T-300-4-BB	449T	1.15	F	B	G	330	2200	96.2	0.87	885.4	140	245	6319	6318	2196
	1185	PE449T-300-4-IN	449T	1.15	F	B	G	330	2200	96.2	0.87	885.4	140	245	NU319	6318/C3VL0241	2196
		PE449T-300-6	449T	1.15	F	B	G	357	2200	95.8	0.82	1332	140	220	NU319	6318	2684
		PE449T-300-6-575V	449T	1.15	F	B	G	285.6	1760	95.8	0.82	1332	140	220	NU319	6318	2532
		PE449T-300-6-IN	449T	1.15	F	B	G	357	2200	95.8	0.82	1332	140	220	NU319	6318/C3VL0241	2684
	3580	PE449TS-300-2	449TS	1.15	F	B	G	320	2200	95.8	0.91	440.9	130	245	6314	6314	2087
		PE449TS-300-2-575V	449TS	1.15	F	B	G	256	1760	95.8	0.91	440.9	130	245	6314	6314	2002
		PE449TS-300-2-IN	449TS	1.15	F	B	G	320	2200	95.8	0.91	440.9	130	245	6314	6314/C3VL0241	2087
	350	1788	PE587UZ-350-4C-BB	587UZ	1.15	F	C	G	378.5	2550	96.2	0.88	1029	200	270	6324	6319
1189		PE587UZ-350-6C-BB	587UZ	1.15	F	C	G	390.4	2550	95.8	0.85	1548	200	230	6324	6319	5176
400	1789	PE587UZ-400-4C-BB	587UZ	1.15	F	C	G	434.9	2900	96.2	0.89	1176	200	250	6324	6319	4983
	1189	PE587UZ-400-6C-BB	587UZ	1.15	F	C	G	448.6	2900	95.8	0.86	1769	200	230	6324	6319	5940
450	1789	PE587UZ-450-4C-BB	587UZ	1.15	F	C	G	487.2	3250	96.2	0.9	1323	200	230	6324	6319	5370
	1189	PE587UZ-450-6C-BB	587UZ	1.15	F	C	G	504.7	3250	96.2	0.86	1990	200	275	6324	6319	6041
500	1790	PE587UZ-500-4C-BB	587UZ	1.15	F	C	G	558.1	3625	96.2	0.9	1469	200	275	6324	6319	5687
	1189	PE587UZ-500-6C-BB	587UZ	1.15	F	C	G	563.1	3625	95.8	0.86	2211	200	275	6324	6319	6191
600	1790	PE587UZ-600-4C-BB	587UZ	1.15	F	C	E	669.6	3625	96.2	0.86	1762	200	250	6324	6319	5947

GENERAL PURPOSE MOTORS

SPECIAL PURPOSE MOTORS

ACCESSORIES

APPENDIX



Phases and HP: 3-Phase, 1–300 HP      Inverter duty: (20:1 VT; 10:1 CT)  
 Enclosure: Totally enclosed fan cooled (TEFC)  
 Frame: 143TC–449TC



# General Purpose

## C-Flange w/Feet — Heavy Duty Cast Iron

GENERAL PURPOSE MOTORS

SPECIAL PURPOSE MOTORS

ACCESSORIES

APPENDIX

HP	Full Load RPM	Model Number	Frame	Service Factor	Insulation Class	NEMA Design	NEMA Code	Full Load Amps @ 230V/460V	Locked Rotor Amps @ 460V	Full Load % Efficiency	Full Load Power Factor	FLT Ft-Lb	LRT (%)	BDT (%)	DE Bearing	ODE Bearing	Weight (lbs.)
1	1745	PE143TC-1-4	143TC	1.15	F	B	M	3.2-3/1.5	15	85.5	0.71	3	275	310	6205-ZZ	6205-ZZ	47
	1160	PE145TC-1-6	145TC	1.15	F	B	M	4-3.6/1.8	15	82.5	0.62	4.6	200	290	6205-ZZ	6205-ZZ	57
1.5	3520	PE143TC-1.5-2	143TC	1.15	F	B	M	4.4-4/2	20	84.0	0.74	2.2	200	280	6205-ZZ	6205-ZZ	46
	1750	PE145TC-1.5-4	145TC	1.15	F	B	M	4.7-4.4/2.2	20	86.5	0.7	4.5	250	330	6205-ZZ	6205-ZZ	52
	1175	PE182TC-1.5-6	182TC	1.15	F	B	M	5.2-4.8/2.4	20	87.5	0.68	6.8	200	290	6306-ZZ	6306-ZZ	93
2	3510	PE145TC-2-2	145TC	1.15	F	B	L	5.8-5.3/2.65	25	85.5	0.82	3	190	285	6205-ZZ	6205-ZZ	49
	1745	PE145TC-2-4	145TC	1.15	F	B	L	6.6-6.2/3.1	25	86.5	0.72	6.1	235	280	6205-ZZ	6205-ZZ	56
	1180	PE184TC-2-6	184TC	1.15	F	B	L	6.4-5.9/2.95	25	88.5	0.7	9.1	190	280	6306-ZZ	6306-ZZ	91
3	3480	PE145TC-3-2	145TC	1.15	F	B	K	9-8.2/4.1	32	86.5	0.8	4.5	200	300	6205-ZZ	6205-ZZ	58
	3520	PE182TC-3-2	182TC	1.15	F	B	K	7.9-7.4/3.7	32	86.5	0.85	4.5	180	280	6306-ZZ	6306-ZZ	88
	1760	PE182TC-3-4	182TC	1.15	F	B	K	8.2-7.6/3.8	32	89.5	0.77	9	215	300	6306-ZZ	6306-ZZ	92
	1185	PE213TC-3-6	213TC	1.15	F	B	K	9.2-8.4/4.2	32	89.5	0.7	13.5	190	280	6308-ZZ	6308-ZZ	150
5	3515	PE184TC-5-2	184TC	1.15	F	B	J	13-11.6/5.8	46	88.5	0.9	7.5	170	285	6306-ZZ	6306-ZZ	102
	1755	PE184TC-5-4	184TC	1.15	F	B	J	14-13.6/6.8	46	89.5	0.78	15	185	280	6306-ZZ	6306-ZZ	101
	1180	PE215TC-5-6	215TC	1.15	F	B	J	15.6-14.2/7.1	46	89.5	0.73	22.5	190	280	6308-ZZ	6308-ZZ	153
7.5	3500	PE184TC-7.5-2	184TC	1.15	F	B	H	18.8-17.6/8.8	63	89.5	0.9	11.3	190	300	6306-ZZ	6306-ZZ	119
	3530	PE213TC-7.5-2	213TC	1.15	F	B	H	18.8-17.6/8.8	63	89.5	0.9	11.2	160	290	6308-ZZ	6308-ZZ	154
	1770	PE213TC-7.5-4	213TC	1.15	F	B	H	19.8-18.4/9.2	63	91.7	0.8	22.5	180	280	6308-ZZ	6308-ZZ	159
	1185	PE254TC-7.5-6	254TC	1.15	F	B	H	21-19.6/9.8	63	91.0	0.74	33.7	185	280	6309	6309	242
10	3525	PE215TC-10-2	215TC	1.15	F	B	H	23.9-22.8/11.4	81	90.2	0.92	14.9	160	290	6308-ZZ	6308-ZZ	163
	1770	PE215TC-10-4	215TC	1.15	F	B	H	26-24/12	81	91.7	0.81	30	170	280	6308-ZZ	6308-ZZ	181
	1180	PE256TC-10-6	256TC	1.15	F	B	H	27.2-25.6/12.8	81	91.0	0.76	44.9	180	270	6309	6309	269
15	3510	PE215TC-15-2	215TC	1.15	F	B	G	37-35/17.5	116	91.0	0.91	22.4	170	280	6308-ZZ	6308-ZZ	183
	3545	PE254TC-15-2	254TC	1.15	F	B	G	36.2-34.4/17.2	116	91.0	0.89	22.2	150	260	6309	6309	261
	1770	PE254TC-15-4	254TC	1.15	F	B	G	37.2-36.4/18.2	116	92.4	0.81	44.8	170	260	6309	6309	280
	1180	PE284TC-15-6	284TC	1.15	F	B	G	41 - 38 / 19	116	91.7	0.77	67.1	160	240	6311	6311	325
20	3540	PE256TC-20-2	256TC	1.15	F	B	G	48.5-46/23	145	91.0	0.87	29.8	150	250	6309	6309	269
	1760	PE256TC-20-4	256TC	1.15	F	B	G	51.8-48.4/24.2	145	93.0	0.83	59.8	160	260	6309	6309	322
	1185	PE286TC-20-6	286TC	1.15	F	B	G	54.7 - 50 / 25	145	91.7	0.79	89.4	160	250	6311	6311	404
25	3535	PE256TC-25-2	256TC	1.15	F	B	G	60-56/28	182	91.7	0.91	37.2	160	260	6309	6309	306
	3540	PE284TC-25-2	284TC	1.15	F	B	G	61-57/28.5	182	91.7	0.9	37.2	150	240	6311	6311	393
	1775	PE284TC-25-4	284TC	1.15	F	B	G	65-60/30	182	93.6	0.84	74.3	160	255	6311	6311	396
	3540	PE284TSC-25-2	284TSC	1.15	F	B	G	61-57/28.5	182	91.7	0.9	37.2	150	240	6311	6311	393
	1775	PE284TSC-25-4	284TSC	1.15	F	B	G	65-60/30	182	93.6	0.84	74.3	160	255	6311	6311	396
	1185	PE324TC-25-6	324TC	1.15	F	B	G	67 - 61 / 30.5	182	93.0	0.78	111.3	160	255	6312	6312	495
30	3530	PE286TC-30-2	286TC	1.15	F	B	G	74-69/34.5	217	91.7	0.9	44.5	150	260	6311	6311	401
	1775	PE286TC-30-4	286TC	1.15	F	B	G	76-70.6/35.3	217	93.6	0.84	89.1	160	250	6311	6311	434
	3530	PE286TSC-30-2	286TSC	1.15	F	B	G	74-69/34.5	217	91.7	0.9	44.5	150	260	6311	6311	401
	1775	PE286TSC-30-4	286TSC	1.15	F	B	G	76-70.6/35.3	217	93.6	0.84	89.1	160	250	6311	6311	434
40	1185	PE326TC-30-6	326TC	1.15	F	B	G	78 - 71.8 / 35.9	217	93.0	0.8	133.6	155	255	6312	6312	648
	3540	PE286TC-40-2	286TC	1.15	F	B	G	95-89/44.5	290	92.4	0.91	59.2	180	290	6311	6311	411
		PE286TSC-40-2	286TSC	1.15	F	B	G	95-89/44.5	232	92.4	0.91	59.2	180	290	6311	6311	411
	3545	PE324TC-40-2	324TC	1.15	F	B	G	94.9-91/45.5	290	92.4	0.9	59.2	140	250	6312	6312	550
	1780	PE324TC-40-4	324TC	1.15	F	B	G	100-93.2/46.6	290	94.1	0.83	118.8	160	245	6312	6312	551
	3545	PE324TSC-40-2	324TSC	1.15	F	B	G	94.9-91/45.5	290	92.4	0.9	59.2	140	250	6312	6312	513
	1780	PE324TSC-40-4	324TSC	1.15	F	B	G	100-93.2/46.6	290	94.1	0.83	118.8	160	245	6312	6312	551
	1188	PE364TC-40-6	364TC	1.15	F	B	G	110 - 100 / 50	290	94.1	0.78	178.1	155	250	6313	6313	720
50	3545	PE326TC-50-2	326TC	1.15	F	B	G	124-116.2/58.1	362	93.0	0.91	73.9	140	250	6312	6312	586
	1780	PE326TC-50-4	326TC	1.15	F	B	G	124-116.6/58.3	362	94.5	0.83	148.4	160	255	6312	6312	626
	3545	PE326TSC-50-2	326TSC	1.15	F	B	G	124-116.2/58.1	362	93.0	0.91	73.9	140	250	6312	6312	586
	1780	PE326TSC-50-4	326TSC	1.15	F	B	G	124-116.6/58.3	362	94.5	0.83	148.4	160	255	6312	6312	626
1187	PE365TC-50-6	365TC	1.15	F	B	G	132 - 124 / 62	362	94.1	0.79	222.6	150	260	6313	6313	779	



Phases and HP: 3-Phase, 1–300 HP

Inverter duty: (20:1 VT; 10:1 CT)

Enclosure: Totally enclosed fan cooled (TEFC)

Frame: 143TC–449TC



# General Purpose

C-Flange w/Feet — Heavy Duty Cast Iron

HP	Full Load RPM	Model Number	Frame	Service Factor	Insulation Class	NEMA Design	NEMA Code	Full Load Amps @ 230V/460V	Locked Rotor Amps @ 460V	Full Load % Efficiency	Full Load Power Factor	FLT Ft-Lb	LRT (%)	BDT (%)	DE Bearing	ODE Bearing	Weight (lbs.)
60	3565	PE364TC-60-2	364TC	1.15	F	B	G	146-132/66	435	93.6	0.92	88.6	140	255	6313	6313	805
	1780	PE364TC-60-4	364TC	1.15	F	B	G	154-139/69.5	435	95.0	0.85	177.6	160	240	6313	6313	800
	3565	PE364TSC-60-2	364TSC	1.15	F	B	G	146-132/66	435	93.6	0.92	88.6	140	255	6313	6313	805
	1780	PE364TSC-60-4	364TSC	1.15	F	B	G	154-139/69.5	435	95.0	0.85	177.6	160	240	6313	6313	800
	1190	PE404TC-60-6	404TC	1.15	F	B	G	154 - 140 / 70	435	94.5	0.81	268	150	250	6318	6314	1000
75	3565	PE365TC-75-2	365TC	1.15	F	B	G	184-166/83	542	93.6	0.91	110.7	130	250	6313	6313	857
	1780	PE365TC-75-4	365TC	1.15	F	B	G	193-174/87	542	95.4	0.85	222	160	250	6313	6313	881
	3565	PE365TSC-75-2	365TSC	1.15	F	B	G	184-166/83	542	93.6	0.91	110.7	130	250	6313	6313	857
	1780	PE365TSC-75-4	365TSC	1.15	F	B	G	193-174/87	542	95.4	0.85	222	160	250	6313	6313	881
	1190	PE405TC-75-6	405TC	1.15	F	B	G	193 - 174 / 87	542	94.5	0.83	335	150	230	6318	6314	1126
100	3570	PE405TC-100-2	405TC	1.15	F	B	G	248-224/112	725	94.1	0.9	147.2	130	245	6314	6314	1148
	1790	PE405TC-100-4	405TC	1.15	F	B	G	248-224/112	725	95.4	0.87	295.2	155	240	6318	6314	1228
	3570	PE405TSC-100-2	405TSC	1.15	F	B	G	248-224/112	725	94.1	0.9	147.2	130	245	6314	6314	1148
	1790	PE405TSC-100-4	405TSC	1.15	F	B	G	248-224/112	725	95.4	0.87	295.2	155	240	6318	6314	1228
	1185	PE444TC-100-6	444TC	1.15	F	B	G	250 - 232 / 116	725	95.0	0.81	442.5	150	245	6319	6318	1416
125	1785	PE444TC-125-4	444TC	1.15	F	B	G	145	907	95.4	0.87	368.9	150	250	6319	6318	1523
		PE444TC-125-4-IN	444TC	1.15	F	B	G	145	907	95.4	0.87	368.9	150	250	6319	6318/C3VL0241	1523
	3580	PE444TSC-125-2	444TSC	1.15	F	B	G	140	907	95.0	0.92	183.8	130	250	6314	6314	1383
	1785	PE444TSC-125-4	444TSC	1.15	F	B	G	145	907	95.4	0.87	368.9	150	250	6319	6318	1523
	1185	PE445TC-125-6	445TC	1.15	F	B	G	147	907	95.0	0.81	553.5	150	245	6319	6318	1614
150		PE445TC-150-4	445TC	1.15	F	B	G	171	1085	95.8	0.87	442.7	150	250	6319	6318	1735
	1790	PE445TC-150-4-IN	445TC	1.15	F	B	G	171	1085	95.8	0.87	442.7	150	250	6319	6318/C3VL0241	1735
	3580	PE445TSC-150-2	445TSC	1.15	F	B	G	166	1085	95.0	0.9	220.4	130	245	6314	6314	1511
	1790	PE445TSC-150-4	445TSC	1.15	F	B	G	171	1085	95.8	0.87	442.7	150	250	6319	6318	1735
	1188	PE447TC-150-6	447TC	1.15	F	B	G	173	1085	95.8	0.82	664.5	140	250	6319	6318	1878
200		PE447TC-200-4	447TC	1.15	F	B	G	220	1450	96.2	0.87	590.3	145	240	6319	6318	1942
	1790	PE447TC-200-4-IN	447TC	1.15	F	B	G	220	1450	96.2	0.87	590.3	145	240	6319	6318/C3VL0241	1942
	3580	PE447TSC-200-2	447TSC	1.15	F	B	G	222	1450	95.4	0.92	293.9	130	240	6314	6314	1813
	1790	PE447TSC-200-4	447TSC	1.15	F	B	G	220	1450	96.2	0.87	590.3	145	240	6319	6318	1918
	1185	PE449TC-200-6	449TC	1.15	F	B	G	230	1450	95.8	0.83	885	140	245	6319	6318	2203
250		PE449TC-250-4	449TC	1.15	F	B	G	275	1825	96.2	0.87	737.8	140	250	6319	6318	2116
	1790	PE449TC-250-4-IN	449TC	1.15	F	B	G	275	1825	96.2	0.87	737.8	140	250	6319	6318/C3VL0241	2116
	1185	PE449TC-250-6	449TC	1.15	F	B	G	280	1825	95.8	0.82	1110	140	220	6319	6318	2439
	3580	PE449TSC-250-2	449TSC	1.15	F	B	G	266	1825	95.8	0.91	367.4	130	240	6314	6314	2006
300		PE449TC-300-4	449TC	1.15	F	B	G	330	2200	96.2	0.87	885.4	140	245	6319	6318	2248
	1790	PE449TC-300-4-IN	449TC	1.15	F	B	G	330	2200	96.2	0.87	885.4	140	245	6319	6318/C3VL0241	2248
	1185	PE449TC-300-6	449TC	1.15	F	B	G	357	2200	95.8	0.82	1332	140	220	6319	6318	2736
	3580	PE449TSC-300-2	449TSC	1.15	F	B	G	320	2200	95.8	0.91	440.9	130	245	6314	6314	2139

GENERAL PURPOSE MOTORS

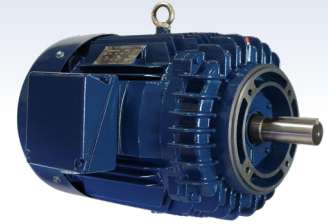
SPECIAL PURPOSE MOTORS

ACCESSORIES

APPENDIX



**Phases and HP:** 3-Phase, 1–30 HP      **Inverter duty:** (20:1 VT; 10:1 CT)  
**Enclosure:** Totally enclosed fan cooled (TEFC)  
**Frame:** 143TC–449TC



## General Purpose C-Flange/Round Body — Heavy Duty Cast Iron

HP	Full Load RPM	Model Number	Frame	Service Factor	Insulation Class	NEMA Design	NEMA Code	Full Load Amps @ 230V/460V	Locked Rotor Amps @ 460V	Full Load % Efficiency	Full Load Power Factor	FLT Ft-Lb	LRT (%)	BDT (%)	DE Bearing	ODE Bearing	Weight (lbs.)
1	1740	PE143TC-1-4-RB-AI	143TC	1.15	F	B	M	3.3-3/1.5	15	86.5	0.76	3	300	310	6206-ZZ	6206-ZZ	65
1.5	1740	PE145TC-1.5-4-RB-AI	145TC	1.15	F	B	M	4.9-4.4/2.2	20	89.5	0.76	4.5	320	330	6206-ZZ	6206-ZZ	68
2	1740	PE145TC-2-4-RB-AI	145TC	1.15	F	B	L	6.2-5.6/2.8	25	89.5	0.8	6.1	320	330	6206-ZZ	6206-ZZ	66
3	1745	PE182TC-3-4-RB-AI	182TC	1.15	F	B	K	8.8-8/4	32	91.0	0.82	9	250	320	6207-ZZ	6207-ZZ	101
5	1745	PE184TC-5-4-RB-AI	184TC	1.15	F	B	J	13.9-12.6/6.3	46	93.6	0.85	15	240	290	6207-ZZ	6207-ZZ	112
7.5	1750	PE213TC-7.5-4-RB-AI	213TC	1.15	F	B	H	19.9-18/9	63	94.1	0.85	22.5	195	260	6208-ZZ	6208-ZZ	189
10	1750	PE215TC-10-4-RB-AI	215TC	1.15	F	B	H	26.5-24/12	81	94.1	0.86	30	190	250	6208-ZZ	6208-ZZ	196
15	1750	PE254TC-15-4-RB-AI	254TC	1.15	F	B	G	39.8-36/18	116	95.4	0.86	44.8	185	230	6309	6309	328
20	1750	PE256TC-20-4-RB-AI	256TC	1.15	F	B	G	53.1-48/24	145	95.0	0.85	59.8	200	220	6309	6309	350
25	1760	PE284TC-25-4-RB-AI	284TC	1.15	F	B	G	63-57/28.5	182	96.2	0.9	74.3	180	260	6311	6311	462
30	1760	PE286TC-30-4-RB-AI	286TC	1.15	F	B	G	75.2-68/34	217	95.8	0.9	89.1	185	280	6311	6311	484

GENERAL PURPOSE MOTORS

SPECIAL PURPOSE MOTORS

ACCESSORIES

APPENDIX



Phases and HP: 3-Phase, 1–300 HP

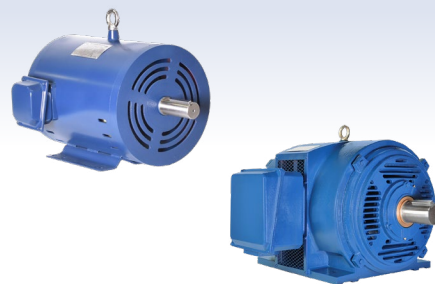
Enclosure: Open drip proof (ODP)

Frame: 143T–449T

Inverter duty: (20:1 VT; 10:1 CT)

Rolled Steel–Design B: 1–20HP

Cast Iron: 15–300 HP



# General Purpose

Open Drip Proof — Heavy Duty Cast Iron

HP	Full Load RPM	Model Number	Frame	Service Factor	Insulation Class	NEMA Design	NEMA Code	Full Load Amps @ 230V/460V	Locked Rotor Amps @ 460V	Full Load % Efficiency	Full Load Power Factor	FLT Ft-Lb	LRT (%)	BDT (%)	DE Bearing	ODE Bearing	Weight (lbs.)
1	1745	PE143T-1-4-ODP	143T	1.15	F	B	M	3.5-3.2/1.6	15	85.5	0.71	3	275	310	6205-ZZ	6205-ZZ	37
1.5	3510	PE143T-1.5-2-ODP	143T	1.15	F	B	M	4.4-4/2	20	84.0	0.8	2.2	200	280	6205-ZZ	6205-ZZ	35
	1750	PE145T-1.5-4-ODP	145T	1.15	F	B	M	5.1-4.6/2.3	20	86.5	0.7	4.5	250	330	6205-ZZ	6205-ZZ	42
2	3515	PE145T-2-2-ODP	145T	1.15	F	B	L	5.7-5.2/2.6	25	85.5	0.82	3	200	285	6205-ZZ	6205-ZZ	37
	1745	PE145T-2-4-ODP	145T	1.15	F	B	L	6.6-6/3	25	86.5	0.73	6.1	235	280	6205-ZZ	6205-ZZ	43
3	3500	PE145T-3-2-ODP	145T	1.15	F	B	K	8.1-7.4/3.7	32	85.5	0.87	4.5	200	280	6205-ZZ	6205-ZZ	43
	1770	PE182T-3-4-ODP	182T	1.15	F	B	K	9-8.2/4.1	32	89.5	0.76	9	200	300	6206-ZZ	6206-ZZ	82
5	3520	PE182T-5-2-ODP	182T	1.15	F	B	J	13.6-12.4/6.2	46	86.5	0.88	7.5	200	280	6206-ZZ	6206-ZZ	82
	1770	PE184T-5-4-ODP	184T	1.15	F	B	J	14.7-13.4/6.7	46	89.5	0.79	15	190	280	6206-ZZ	6206-ZZ	98
7.5	3520	PE184T-7.5-2-ODP	184T	1.15	F	B	H	19.4-17.6/8.8	63	88.5	0.9	11.2	200	290	6206-ZZ	6206-ZZ	98
	1770	PE213T-7.5-4-ODP	213T	1.15	F	B	H	21.1-19.2/9.6	63	91.0	0.8	22.5	200	280	6208-ZZ	6208-ZZ	138
10	3545	PE213T-10-2-ODP	213T	1.15	F	B	H	28.2-25.6/12.8	81	89.5	0.91	14.9	160	290	6208-ZZ	6208-ZZ	135
	1775	PE215T-10-4-ODP	215T	1.15	F	B	H	28.6-26/13	81	91.7	0.79	30	190	270	6208-ZZ	6208-ZZ	154
15	3545	PE215T-15-2-ODP	215T	1.15	F	B	G	41.8-38/19	116	90.2	0.89	22.2	150	260	6208-ZZ	6208-ZZ	156
	1765	PE254T-15-4-ODP	254T	1.15	F	B	G	40-36/18	116	93.0	0.84	44.9	170	260	6309	6309	275
20	3530	PE254T-20-2-ODP	254T	1.15	F	B	G	51-46/23	145	91.0	0.9	29.8	150	250	6309	6309	264
	1765	PE256T-20-4-ODP	256T	1.15	F	B	G	53-48/24	145	93.0	0.84	59.6	170	265	6309	6309	304
25	3540	PE256T-25-2-ODP	256T	1.15	F	B	G	63-57/28.5	182	91.7	0.89	37.2	160	240	6309	6309	282
	1775	PE284T-25-4-ODP	284T	1.15	F	B	G	66-60/30	182	93.6	0.85	74.3	160	250	6311	6311	378
30	3545	PE284TS-30-2-ODP	284TS	1.15	F	B	G	77-70/35	217	91.7	0.88	44.6	150	260	6311	6311	374
	1775	PE286T-30-4-ODP	286T	1.15	F	B	G	77-70/35	217	94.1	0.85	89.1	190	250	6311	6311	403
40	3545	PE286TS-40-2-ODP	286TS	1.15	F	B	G	99-90/45	290	92.4	0.89	59.2	160	250	6311	6311	414
	1780	PE324T-40-4-ODP	324T	1.15	F	B	G	106-96/48	290	94.1	0.83	118.8	170	250	6312	6312	521
50	3545	PE324TS-50-2-ODP	324TS	1.15	F	B	G	122-110/55	362	93.0	0.9	73.9	170	260	6312	6312	508
	1778	PE326T-50-4-ODP	326T	1.15	F	B	G	130-118/59	362	94.5	0.83	148.4	170	260	6312	6312	569
60	1800	PE326TS-50-4-ODP	326TS	1.15	F	B	G	130-118/59	362	94.5	0.83	148.4	170	260	6312	6312	569
	3550	PE326TS-60-2-ODP	326TS	1.15	F	B	G	146-132/66	435	93.6	0.91	88.6	170	255	6312	6312	554
75	1780	PE364T-60-4-ODP	364T	1.15	F	B	G	155-140/70	435	95.0	0.84	177.6	160	240	6313	6313	726
	3565	PE364TS-60-4-ODP	364TS	1.15	F	B	G	155-140/70	435	95.0	0.84	177.6	160	240	6313	6313	726
100	3565	PE364TS-75-2-ODP	364TS	1.15	F	B	G	184-166/83	542	93.6	0.9	110.7	190	250	6313	6313	734
	1780	PE365T-75-4-ODP	365T	1.15	F	B	G	191-174/87	542	95.0	0.85	222	170	250	6313	6313	754
125	1785	PE404T-100-4-BB-ODP	404T	1.15	F	B	G	246-224/112	725	95.4	0.87	296	150	240	6318	6314	1115
	3570	PE365TS-100-2-ODP	365TS	1.15	F	B	G	245-222/111	725	93.6	0.89	147.2	190	245	6313	6313	737
150	1785	PE404T-100-4-ODP	404T	1.15	F	B	G	246-224/112	725	95.4	0.87	296	150	240	NU318	6314	1115
	3575	PE404TS-100-4-ODP	404TS	1.15	F	B	G	246-224/112	725	95.4	0.87	296	150	240	6318	6314	1115
200	3575	PE404TS-125-2-ODP	404TS	1.15	F	B	G	138	907	94.1	0.9	183.8	140	250	6314	6314	1003
	1785	PE405T-125-4-BB-ODP	405T	1.15	F	B	G	141	907	95.4	0.87	368.9	150	250	6318	6314	1179
250	1785	PE405T-125-4-ODP	405T	1.15	F	B	G	141	907	95.4	0.87	368.9	150	250	NU318	6314	1179
	3575	PE405TS-150-2-ODP	405TS	1.15	F	B	G	166	1085	94.1	0.9	220.4	150	250	6314	6314	1076
300	1790	PE444T-150-4-BB-ODP	444T	1.15	F	B	G	167	1085	95.8	0.88	442.7	150	250	6319	6318	1702
	3575	PE444TS-150-4-ODP	444TS	1.15	F	B	G	167	1085	95.8	0.88	442.7	150	250	NU319	6318	1702
350	1790	PE444TS-200-2-ODP	444TS	1.15	F	B	G	167	1085	95.8	0.88	442.7	150	250	6319	6318	1702
	3575	PE444TS-200-4-ODP	444TS	1.15	F	B	G	219	1450	95.0	0.9	293.9	130	240	6314	6314	1519
400	1790	PE445T-200-4-BB-ODP	445T	1.15	F	B	G	220	1450	95.8	0.88	590.3	150	240	6319	6318	1790
	3575	PE445TS-250-2-ODP	445TS	1.15	F	B	G	270	1825	95.0	0.91	367.4	130	240	6314	6314	1603
500	1790	PE447T-250-4-ODP	447T	1.15	F	B	G	280	1825	95.8	0.87	737.8	140	250	NU319	6318	1930
	3580	PE447TS-300-2-ODP	447TS	1.15	F	B	G	322	2200	95.4	0.91	440.9	130	245	6314	6314	1759
600	1790	PE449T-300-4-ODP	449T	1.15	F	B	G	335	2200	95.8	0.87	885.4	140	245	NU319	6318	2218

GENERAL PURPOSE MOTORS

SPECIAL PURPOSE MOTORS

ACCESSORIES

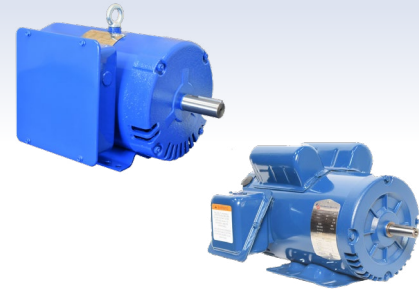
APPENDIX



**Phases and HP:** Single Phase, 3–5 HP

**Enclosure:** Open drip proof (ODP)

**Frame:** 56H–184T



## Special Purpose Compressor Duty — Rolled Steel

HP	Full Load RPM	Model Number	Frame	Service Factor	Insulation Class	NEMA Design	NEMA Code	Full Load Amps @ 230V/460V	Locked Rotor Amps @ 460V	Full Load % Efficiency	Full Load Power Factor	FLT Ft-Lb	LRT (%)	BDT (%)	DE Bearing	ODE Bearing	Weight (lbs.)
3	1745	D182T3S4C	182T	1.15	F	L	G	12.2-11.5	73.8	84.9	0.96	9	284	215	6206-2RZC3	6205-2RZC3	78
5	3510	D56H5S2C-MO	56H	1.15	F	L	F	20.94-18.94	118.7	86.5	0.99	10.2	250	211	6205-2RZC3	6203-2RZC3	56
		D56HZ5S2C-MO	56HZ	1.15	F	L	F	20.94-18.94	118	86.5	0.99	10.1	250	211	6205-2RZC3	6203-2RZC3	56
	1745	D184T5S4C	184T	1.15	F	L	H	23-19.3	147.9	83.4	0.97	15.1	319	220	6206-2RZC3	6203-2RZC3	96

GENERAL PURPOSE MOTORS

SPECIAL PURPOSE MOTORS

ACCESSORIES

APPENDIX

**Phases and HP:** 3-Phase, 1–600 HP  
**Enclosure:** Totally enclosed fan cooled (TEFC)  
**Frame:** 143T–586/7UZ

**Inverter duty:** 1–300 HP  
 (20:1 VT; 10:1 CT)  
**Inverter rated:** 250–600 HP  
 (10:1 VT; 5:1 CT)



# Crusher Duty

## Design C — Heavy Duty Cast Iron

HP	Full Load RPM	Model Number	Frame	Service Factor	Insulation Class	NEMA Design	NEMA Code	Full Load Amps @ 230V/460V	Locked Rotor Amps @ 460V	Full Load % Efficiency	Full Load Power Factor	FLT Ft-Lb	LRT (%)	BDT (%)	DE Bearing	ODE Bearing	Weight (lbs.)
1	1740	PE143T-1-4C	143T	1.15	F	C	M	1.5	15	85.5	0.71	3	290	310	6205-ZZ	6205-ZZ	47
	1155	PE145T-1-6C	145T	1.15	F	C	M	1.8	15	82.5	0.62	4.6	260	300	6205-ZZ	6205-ZZ	60
	870	PE182T-1-8C	182T	1.15	F	C	M	4.2-3.8/1.9	15	75.5	0.66	6.1	230	320	6306-ZZ	6306-ZZ	67
1.5	1740	PE145T-1.5-4C	145T	1.15	F	C	M	2.2	20	86.5	0.7	4.5	290	330	6205-ZZ	6205-ZZ	50
	1165	PE182T-1.5-6C	182T	1.15	F	C	M	2.4	20	87.5	0.68	6.8	250	300	6306-ZZ	6306-ZZ	95
	865	PE184T-1.5-8C	184T	1.15	F	C	M	5.8-5.3/2.65	20	78.5	0.69	9.2	230	320	6306-ZZ	6306-ZZ	78
2	1720	PE145T-2-4C	145T	1.15	F	C	L	3.1	25	86.5	0.72	6.1	290	300	6205-ZZ	6205-ZZ	51
	1170	PE184T-2-6C	184T	1.15	F	C	L	3.2	25	88.5	0.65	9.1	250	320	6306-ZZ	6306-ZZ	94
	865	PE213T-2-8C	213T	1.15	F	C	L	7.5-6.8/3.4	25	84.0	0.69	12.4	230	280	6308-ZZ	6308-ZZ	132
3	1760	PE182T-3-4C	182T	1.15	F	C	K	3.9	32	89.5	0.75	9	270	320	6306-ZZ	6306-ZZ	87
	1170	PE213T-3-6C	213T	1.15	F	C	K	4.4	32	89.5	0.67	13.5	250	320	6308-ZZ	6308-ZZ	139
	865	PE215T-3-8C	215T	1.15	F	C	K	10.8-9.8/4.9	32	85.5	0.7	18.5	230	280	6308-ZZ	6308-ZZ	163
5	1760	PE184T-5-4C	184T	1.15	F	C	J	6.8	46	89.5	0.78	15	260	300	6306-ZZ	6306-ZZ	103
	1170	PE215T-5-6C	215T	1.15	F	C	J	7.4	46	89.5	0.7	22.5	250	310	6308-ZZ	6308-ZZ	180
	870	PE254T-5-8C	254T	1.15	F	C	J	17.5-15.8/7.9	46	86.5	0.69	30.5	230	280	6309	6309	218
7.5	1760	PE213T-7.5-4C	213T	1.15	F	C	H	9.2	63	91.7	0.8	22.5	250	290	6308-ZZ	6308-ZZ	162
	1170	PE254T-7.5-6C	254T	1.15	F	C	H	9.8	63	91.0	0.74	33.7	225	280	6309	6309	213
	870	PE256T-7.5-8C	256T	1.15	F	C	H	24.3-22/11	63	86.5	0.72	45.5	200	280	6309	6309	251
10	1760	PE215T-10-4C	215T	1.15	F	C	H	12	81	91.7	0.81	30	250	280	6308-ZZ	6308-ZZ	182
	1170	PE256T-10-6C	256T	1.15	F	C	H	12.8	81	91.0	0.75	44.9	230	310	6309	6309	270
	880	PE284T-10-8C	284T	1.15	F	C	H	32.2-29.2/14.6	81	89.5	0.72	60	200	280	6311	6311	306
15	1760	PE254T-15-4C	254T	1.15	F	C	G	19	116	92.4	0.78	44.8	230	280	6309	6309	256
	1175	PE284T-15-6C	284T	1.15	F	C	G	19	116	91.7	0.77	67.1	210	250	6311	6311	317
	880	PE286T-15-8C	286T	1.15	F	C	G	47-43/21.5	116	89.5	0.73	89.5	200	280	6311	6311	352
20	1750	PE256T-20-4C	256T	1.15	F	C	G	24.2	145	93.0	0.83	59.8	200	270	6309	6309	301
	1175	PE286T-20-6C	286T	1.15	F	C	G	25	145	91.7	0.79	89.4	200	250	6311	6311	351
	880	PE324T-20-8C	324T	1.15	F	C	G	61-56/28	145	90.2	0.75	120	200	280	6312	6312	491
25	1765	PE284T-25-4C	284T	1.15	F	C	G	30	182	93.6	0.84	74.3	200	255	6311	6311	364
	1180	PE324T-25-6C	324T	1.15	F	C	G	30.5	182	93.0	0.78	111.4	200	255	6312	6312	477
	880	PE326T-25-8C	326T	1.15	F	C	G	77-70/35	182	90.2	0.75	150	205	290	6312	6312	508
30	1760	PE286T-30-4C	286T	1.15	F	C	G	35.3	217	93.6	0.84	89.1	200	250	6311	6311	409
	1180	PE326T-30-6C	326T	1.15	F	C	G	35.9	217	93.0	0.8	133.6	200	255	6312	6312	517
	885	PE364T-30-8C	364T	1.15	F	C	G	88-80/40	217	91.7	0.76	177.5	200	270	6313	6313	671
40	1770	PE324T-40-4C	324T	1.15	F	C	G	46.6	290	94.1	0.83	118.9	200	245	6312	6312	513
	1180	PE364T-40-6C	364T	1.15	F	C	G	50	290	94.1	0.78	178.1	200	260	6313	6313	740
	885	PE365T-40-8C	365T	1.15	F	C	G	115-105/52.5	290	91.7	0.78	238	200	240	6313	6313	719
50	1770	PE326T-50-4C	326T	1.15	F	C	G	58.3	362	94.5	0.83	148.4	200	255	6312	6312	580
	1180	PE365T-50-6C	365T	1.15	F	C	G	62	362	94.1	0.79	222.6	200	260	6313	6313	753
	885	PE404T-50-8C	404T	1.15	F	C	G	139-126/63	362	92.4	0.8	298	200	240	NU315	6314	902
60	1780	PE364T-60-4C	364T	1.15	F	C	G	69.5	435	95.0	0.85	177.6	200	240	6313	6313	744
	1180	PE404T-60-6C	404T	1.15	F	C	G	70	435	94.5	0.81	268	200	250	NU318	6314	1096
	885	PE405T-60-8C	405T	1.15	F	C	G	160-152/76	435	92.4	0.8	358	200	245	NU315	6314	990
75	1780	PE365T-75-4C	365T	1.15	F	C	G	87	542	95.4	0.85	222	200	250	6313	6313	833
	1180	PE405T-75-6C	405T	1.15	F	C	G	87	542	94.5	0.83	335	200	240	NU318	6314	1140
	885	PE444T-75-8C	444T	1.15	F	C	G	210-190/95	542	93.6	0.8	445	200	240	NU319	6318	1353
100	1780	PE405T-100-4C	405T	1.15	F	C	G	112	725	95.4	0.87	295.2	200	260	NU318	6314	1228
	1180	PE444T-100-6C	444T	1.15	F	C	G	118	725	95.0	0.79	442.5	200	260	NU319	6318	1536
	885	PE445T-100-8C	445T	1.15	F	C	G	276-250/125	725	93.6	0.82	593	200	230	NU319	6318	1452
125	1780	PE444T-125-4C	444T	1.15	F	C	G	145	907	95.4	0.87	368.9	200	270	NU319	6318	1532
	1180	PE445T-125-6C	445T	1.15	F	C	G	150	907	95.0	0.79	553.5	200	250	NU319	6318	1644
	890	PE447T-125-8C	447T	1.15	F	C	G	158	907	94.1	0.79	740	200	230	NU319	6318	1680
150	1780	PE445T-150-4C	445T	1.15	F	C	G	173	1085	95.8	0.87	442.7	200	260	NU319	6318	1597
	1180	PE447T-150-6C	447T	1.15	F	C	G	177	1085	95.8	0.8	664.5	200	250	NU319	6318	1821
	885	PE449T-150-8C	449T	1.15	F	C	G	180	1085	94.1	0.83	890	200	225	NU319	6318	1975
200	1780	PE447T-200-4C	447T	1.15	F	C	G	220	1450	96.2	0.87	590.3	200	240	NU319	6318	1850
	1180	PE449T-200-6C	449T	1.15	F	C	G	235	1450	95.8	0.81	885	200	245	NU319	6318	2175

GENERAL PURPOSE MOTORS

SPECIAL PURPOSE MOTORS

ACCESSORIES

APPENDIX



**Phases and HP:** 3-Phase, 1–600 HP  
**Enclosure:** Totally enclosed fan cooled (TEFC)  
**Frame:** 143T–586/7UZ

**Inverter duty:** 1–300 HP  
 (20:1 VT; 10:1 CT)  
**Inverter rated:** 250–600 HP  
 (10:1 VT; 5:1 CT)



# Crusher Duty

## Design C — Heavy Duty Cast Iron

GENERAL PURPOSE MOTORS

SPECIAL PURPOSE MOTORS

ACCESSORIES

APPENDIX

HP	Full Load RPM	Model Number	Frame	Service Factor	Insulation Class	NEMA Design	NEMA Code	Full Load Amps @ 230V/460V	Locked Rotor Amps @ 460V	Full Load % Efficiency	Full Load Power Factor	FLT Ft-Lb	LRT (%)	BDT (%)	DE Bearing	ODE Bearing	Weight (lbs.)
250	1790	PE449T-250-4C	449T	1.15	F	C	G	283	1825	95.0	0.87	738	200	230	NU319	6318	2120
	1190	PE449T-250-6C	449T	1.15	F	C	G	280	1825	95.0	0.82	1110	140	220	NU319	6318	2323
	1790	PE505UZ-250-4C	505UZ	1.15	F	C	G	275	1825	96.2	0.89	732	200	280	NU322	6319	2300
	1190	PE505UZ-250-6C	505UZ	1.15	F	C	G	280	1825	95.8	0.89	1105	200	260	NU322	6319	2800
300	1790	PE449T-300-4C	449T	1.15	F	C	G	335	2200	95.4	0.87	885.4	140	245	NU319	6318	2220
	1190	PE449T-300-6C	449T	1.15	F	C	G	357	2200	95.0	0.82	1332	140	220	NU319	6318	2532
	1790	PE505UZ-300-4C	505UZ	1.15	F	C	G	330	2200	96.2	0.89	880	200	280	NU322	6319	2600
	1190	PE505UZ-300-6C	505UZ	1.15	F	C	G	338	2200	95.8	0.89	1326	200	260	NU322	6319	3160
350	1188	PE587UZ-300-6C	587UZ	1.15	F	C	G	332	2200	95.0	0.85	1328	200	230	NU324	6319	5330.6
	1790	PE505UZ-350-4C	505UZ	1.15	F	C	G	390	2550	96.2	0.89	1028	200	280	NU322	6319	2900
	1190	PE505UZ-350-6C	505UZ	1.15	F	C	G	393	2550	95.8	0.89	1543	200	260	NU322	6319	3440
	1788	PE587UZ-350-4C	587UZ	1.15	F	C	G	378.5	2550	96.2	0.88	1029	200	270	NU324	6319	4846.6
400	1189	PE587UZ-350-6C	587UZ	1.15	F	C	G	390.4	2550	95.8	0.85	1548	200	230	NU324	6319	5176
	1789	PE587UZ-400-4C	587UZ	1.15	F	C	G	434.9	2900	96.2	0.89	1176	200	250	NU324	6319	4983
	1189	PE587UZ-400-6C	587UZ	1.15	F	C	G	448.6	2900	95.8	0.86	1769	200	230	NU324	6319	5940
	1789	PE587UZ-450-4C	587UZ	1.15	F	C	G	487.2	3250	96.2	0.9	1323	200	230	NU324	6319	5370
450	1189	PE587UZ-450-6C	587UZ	1.15	F	C	G	504.7	3250	96.2	0.86	1990	200	275	NU324	6319	6041.2
	1790	PE587UZ-500-4C	587UZ	1.15	F	C	G	558.1	3625	96.2	0.9	1469	200	275	NU324	6319	5687
500	1189	PE587UZ-500-6C	587UZ	1.15	F	C	G	563.1	3625	95.8	0.86	2211	200	275	NU324	6319	6190.8
	1790	PE587UZ-600-4C	587UZ	1.15	F	C	E	669.6	3625	96.2	0.86	1762	200	250	NU324	6319	5946.6



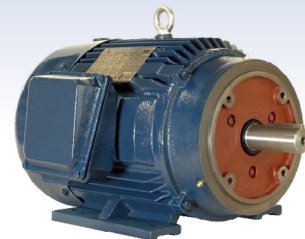
Phases and HP: 3-Phase, 1–300 HP

Enclosure: Totally enclosed fan cooled (TEFC)

Frame: 143TC–449TC

Inverter duty: 1–300 HP

(20:1 VT; 10:1 CT)



# Crusher Duty

Design C - C-Flange w/Feet — Heavy Duty Cast Iron

HP	Full Load RPM	Model Number	Frame	Service Factor	Insulation Class	NEMA Design	NEMA Code	Full Load Amps @ 230V/460V	Locked Rotor Amps @ 460V	Full Load % Efficiency	Full Load Power Factor	FLT Ft-Lb	LRT (%)	BDT (%)	DE Bearing	ODE Bearing	Weight (lbs.)
1	1740	PE143TC-1-4C	143TC	1.15	F	C	M	1.5	15	85.5	0.71	3	290	310	6205-ZZ	6205-ZZ	47
	1155	PE145TC-1-6C	145TC	1.15	F	C	M	1.8	15	82.5	0.62	4.6	260	300	6205-ZZ	6205-ZZ	60
1.5	1740	PE145TC-1.5-4C	145TC	1.15	F	C	M	2.2	20	86.5	0.7	4.5	290	330	6205-ZZ	6205-ZZ	50
	1165	PE182TC-1.5-6C	182TC	1.15	F	C	M	2.4	20	87.5	0.68	6.8	250	300	6306-ZZ	6306-ZZ	95
2	1720	PE145TC-2-4C	145TC	1.15	F	C	L	3.1	25	86.5	0.72	6.1	290	300	6205-ZZ	6205-ZZ	51
	1170	PE184TC-2-6C	184TC	1.15	F	C	L	3.2	25	88.5	0.65	9.1	250	320	6306-ZZ	6306-ZZ	94
3	1760	PE182TC-3-4C	182TC	1.15	F	C	K	3.9	32	89.5	0.75	9	270	320	6306-ZZ	6306-ZZ	87
	1170	PE213TC-3-6C	213TC	1.15	F	C	K	4.4	32	89.5	0.67	13.5	250	320	6308-ZZ	6308-ZZ	139
5	1760	PE184TC-5-4C	184TC	1.15	F	C	J	6.8	46	89.5	0.78	15	260	300	6306-ZZ	6306-ZZ	103
	1170	PE215TC-5-6C	215TC	1.15	F	C	J	7.4	46	89.5	0.7	22.5	250	310	6308-ZZ	6308-ZZ	180
7.5	1760	PE213TC-7.5-4C	213TC	1.15	F	C	H	9.2	63	91.7	0.8	22.5	250	290	6308-ZZ	6308-ZZ	162
	1170	PE254TC-7.5-6C	254TC	1.15	F	C	H	9.8	63	91.0	0.74	33.7	225	280	6309	6309	213
10	1760	PE215TC-10-4C	215TC	1.15	F	C	H	12	81	91.7	0.81	30	250	280	6308-ZZ	6308-ZZ	182
	1170	PE256TC-10-6C	256TC	1.15	F	C	H	12.8	81	91.0	0.75	44.9	230	310	6309	6309	270
15	1760	PE254TC-15-4C	254TC	1.15	F	C	G	19	116	92.4	0.78	44.8	230	280	6309	6309	256
	1175	PE284TC-15-6C	284TC	1.15	F	C	G	19	116	91.7	0.77	67.1	210	250	6311	6311	317
20	1750	PE256TC-20-4C	256TC	1.15	F	C	G	24.2	145	93.0	0.83	59.8	200	270	6309	6309	301
	1175	PE286TC-20-6C	286TC	1.15	F	C	G	25	145	91.7	0.79	89.4	200	250	6311	6311	351
25	1765	PE284TC-25-4C	284TC	1.15	F	C	G	30	182	93.6	0.84	74.3	200	255	6311	6311	364
	1180	PE324TC-25-6C	324TC	1.15	F	C	G	30.5	182	93.0	0.78	111.4	200	255	6312	6312	477
30	1760	PE286TC-30-4C	286TC	1.15	F	C	G	35.3	217	93.6	0.84	89.1	200	250	6311	6311	409
	1180	PE326TC-30-6C	326TC	1.15	F	C	G	35.9	217	93.0	0.8	133.6	200	255	6312	6312	517
40	1770	PE324TC-40-4C	324TC	1.15	F	C	G	46.6	290	94.1	0.83	118.9	200	245	6312	6312	513
	1180	PE364TC-40-6C	364TC	1.15	F	C	G	50	290	94.1	0.78	178.1	200	260	6313	6313	740
50	1770	PE326TC-50-4C	326TC	1.15	F	C	G	58.3	362	94.5	0.83	148.4	200	255	6312	6312	580
	1180	PE365TC-50-6C	365TC	1.15	F	C	G	62	362	94.1	0.79	222.6	200	260	6313	6313	753
60	1780	PE364TC-60-4C	364TC	1.15	F	C	G	69.5	435	95.0	0.85	177.6	200	240	6313	6313	744
	1180	PE404TC-60-6C	404TC	1.15	F	C	G	70	435	94.5	0.81	268	200	250	6318	6314	1096
75	1780	PE365TC-75-4C	365TC	1.15	F	C	G	87	542	95.4	0.85	222	200	250	6313	6313	833
	1180	PE405TC-75-6C	405TC	1.15	F	C	G	87	542	94.5	0.83	335	200	240	6318	6314	1140
100	1780	PE405TC-100-4C	405TC	1.15	F	C	G	112	725	95.4	0.87	295.2	200	260	6318	6314	1228
	1180	PE444TC-100-6C	444TC	1.15	F	C	G	118	725	95.0	0.79	442.5	200	260	6319	6318	1536
125	1780	PE444TC-125-4C	444TC	1.15	F	C	G	145	907	95.4	0.87	368.9	200	270	6319	6318	1532
	1180	PE445TC-125-6C	445TC	1.15	F	C	G	150	907	95.0	0.79	553.5	200	250	6319	6318	1644
150	1780	PE445TC-150-4C	445TC	1.15	F	C	G	173	1085	95.8	0.87	442.7	200	260	6319	6318	1597
	1180	PE447TC-150-6C	447TC	1.15	F	C	G	177	1085	95.8	0.8	664.5	200	250	6319	6318	1821
200	1780	PE447TC-200-4C	447TC	1.15	F	C	G	220	1450	96.2	0.87	590.3	200	240	6319	6318	1850
	1180	PE449TC-200-6C	449TC	1.15	F	C	G	235	1450	95.8	0.81	885	200	245	6319	6318	2175
250	1790	PE449TC-250-4C	449TC	1.15	F	C	G	283	1825	95.0	0.87	738	200	230	6319	6318	2120
	1190	PE449TC-250-6C	449TC	1.15	F	C	G	280	1825	95.0	0.82	1110	140	220	6319	6318	2323
300	1790	PE449TC-300-4C	449TC	1.15	F	C	G	335	2200	95.4	0.87	885.4	140	245	6319	6318	2220
	1190	PE449TC-300-6C	449TC	1.15	F	C	G	357	2200	95.0	0.82	1332	140	220	6319	6318	2532

GENERAL PURPOSE MOTORS

SPECIAL PURPOSE MOTORS

ACCESSORIES

APPENDIX



**Phases and HP:** 3-Phase, .33–20 HP **Inverter duty:** (20:1 VT; 10:1 CT)  
**Enclosure:** Totally enclosed fan cooled (TEFC)  
**Frame:** 56C–256TC



# Washdown Duty

## C-Flange — Round Conduit Box — Stainless Steel

GENERAL PURPOSE MOTORS

SPECIAL PURPOSE MOTORS

ACCESSORIES

APPENDIX

HP	Full Load RPM	Model Number	Frame	Service Factor	Insulation Class	NEMA Design	NEMA Code	Full Load Amps @ 230V/460V	Locked Rotor Amps @ 460V	Full Load % Efficiency	Full Load Power Factor	FLT Ft-Lb	LRT (%)	BDT (%)	DE Bearing	ODE Bearing	Weight (lbs.)
0.33	3500	SS56C1/3M-2-A	56C	1.15	F	B	K	1.3/0.65	8	74.0	0.85	0.5	285	300	6205-2RS	6205-2RS	26
	1745	SS56C1/3M-4-A	56C	1.15	F	B	K	1.3/0.65	8	83.0	0.71	1	285	300	6205-2RS	6205-2RS	28
0.5	3460	SS56C1/2M-2-A	56C	1.15	F	B	K	1.8/0.9	10	77.0	0.88	0.7	285	300	6205-2RS	6205-2RS	29
	1745	SS56C1/2M-4-A	56C	1.15	F	B	K	1.8/0.9	10	83.0	0.78	1.5	285	300	6205-2RS	6205-2RS	29
0.75	1155	SS56C1/2M-6-A	56C	1.15	F	B	K	2.2/1.1	10	80.0	0.63	2.2	255	270	6205-2RS	6205-2RS	31
	3500	SS56C3/4M-2-A	56C	1.15	F	B	K	2.6/1.3	12.5	80.0	0.9	1.1	285	300	6205-2RS	6205-2RS	33
	1745	SS56C3/4M-4-A	56C	1.15	F	B	K	2.7/1.35	12.5	83.0	0.78	2.2	285	300	6205-2RS	6205-2RS	33
1	1155	SS56C3/4M-6-A	56C	1.15	F	B	K	3.4/1.7	12.5	80.0	0.65	3.3	255	280	6205-2RS	6205-2RS	34
	3470	PESS56C1M-2-A	56C	1.15	F	B	K	2.9 - 2.8 / 1.4	15	77.0	0.88	1.5	285	300	6205-2RS	6205-2RS	35
	1740	PESS143TC1M-4-A	143TC	1.15	F	B	K	3.1 - 3 / 1.5	15	86.0	0.71	3	285	300	6205-2RS	6205-2RS	37
		PESS56C1M-4-A	56C	1.15	F	B	K	3.1 - 3 / 1.5	15	86.0	0.71	3	285	300	6205-2RS	6205-2RS	36
1165	PESS145TC1M-6-A	145TC	1.15	F	B	K	4 - 3.8 / 1.9	15	83.0	0.61	4.4	255	270	6205-2RS	6205-2RS	43	
1.5	3480	PESS143TC1.5M-2-A	143TC	1.15	F	B	K	4.2 - 4 / 2	20	84.0	0.86	2.3	285	300	6205-2RS	6205-2RS	40
	1750	PESS56C1.5M-2-A	56C	1.15	F	B	K	4.2 - 4 / 2	20	84.0	0.86	2.3	285	300	6205-2RS	6205-2RS	39
		PESS145TC1.5M-4-A	145TC	1.15	F	B	K	5 - 4.6 / 2.3	20	87.0	0.72	4.4	285	300	6205-2RS	6205-2RS	43
1170	PESS56C1.5M-4-A	56C	1.15	F	B	K	5 - 4.6 / 2.3	20	87.0	0.72	4.4	285	300	6205-2RS	6205-2RS	42	
2	3480	PESS182TC1.5M-6-A	182TC	1.15	F	B	L	5.4 - 4.9 / 2.45	20	86.0	0.7	6.6	255	270	6308-2RS	6306-2RS	79
	1750	PESS145TC2M-2-A	145TC	1.15	F	B	K	4.9 - 4.8 / 2.4	25	86.0	0.9	2.9	285	300	6205-2RS	6205-2RS	46
		PESS56C2M-2-A	56C	1.15	F	B	K	4.9 - 4.8 / 2.4	25	86.0	0.9	2.9	285	300	6205-2RS	6205-2RS	45
	1175	PESS145TC2M-4-A	145TC	1.15	F	B	K	6.2 - 6 / 3	25	87.0	0.75	5.9	285	300	6205-2RS	6205-2RS	52
3	3510	PESS56C2M-4-A	56C	1.15	F	B	K	6.2 - 6 / 3	25	87.0	0.75	5.9	285	300	6205-2RS	6205-2RS	51
	1775	PESS184TC2M-6-A	184TC	1.15	F	B	L	6.6 - 6.1 / 3.05	25	87.0	0.71	8.8	255	270	6308-2RS	6306-2RS	95
		PESS145TC3M-2-A	145TC	1.15	F	B	K	8.6 - 8.2 / 4.1	32	86.5	0.87	4.4	250	285	6205-2RS	6205-2RS	60
5	1765	PESS182TC3M-2-A	182TC	1.15	F	B	K	8.8 - 8.1 / 4.05	32	87.0	0.89	4.4	270	290	6308-2RS	6306-2RS	77
	1765	PESS182TC3M-4-A	182TC	1.15	F	B	K	8.4 - 8 / 4	32	90.0	0.81	8.8	270	290	6308-2RS	6306-2RS	78
	1175	PESS213TC3M-6-A	213TC	1.15	F	B	K	9.3 - 8.6 / 4.3	32	88.0	0.74	13.2	250	280	6308-2RS	6208-2RS	160
7.5	3525	PESS184TC5M-2-A	184TC	1.15	F	B	K	12.6 - 12.2 / 6.1	46	89.0	0.91	7.3	255	280	6308-2RS	6306-2RS	95
	1765	PESS184TC5M-4-A	184TC	1.15	F	B	K	13 - 12.5 / 6.25	46	90.0	0.86	14.7	255	280	6308-2RS	6306-2RS	99
	1175	PESS215TC5M-6-A	215TC	1.15	F	B	J	14.5 - 13.6 / 6.8	46	88.0	0.78	22.1	250	270	6308-2RS	6208-2RS	197
10	3520	PESS213TC7.5M-2-A	213TC	1.15	F	B	K	20.5 - 19 / 9.5	64	90.0	0.85	11.1	250	270	6308-2RS	6208-2RS	151
	1755	PESS213TC7.5M-4-A	213TC	1.15	F	B	H	20 - 18.6 / 9.3	64	92.0	0.83	22	250	270	6308-2RS	6208-2RS	179
15	3525	PESS215TC10M-2-A	215TC	1.15	F	B	H	26 - 24.4 / 12.2	81	90.0	0.87	14.7	250	270	6308-2RS	6208-2RS	166
	1760	PESS215TC10M-4-A	215TC	1.15	F	B	H	26 - 24.4 / 12.2	81	92.0	0.85	29.3	250	270	6308-2RS	6208-2RS	210
20	3540	PESS254TC15M-2-A	254TC	1.15	F	B	G	40 - 37 / 18.5	116	91.0	0.9	22	225	260	6309-2RS	6309-2RS	253
	1765	PESS254TC15M-4-A	254TC	1.15	F	B	G	40 - 37 / 18.5	116	92.0	0.88	44	225	260	6309-2RS	6309-2RS	286
20	3540	PESS256TC20M-2-A	256TC	1.15	F	B	G	50 - 46 / 23	145	91.0	0.9	29.3	200	250	6309-2RS	6309-2RS	286
	1765	PESS256TC20M-4-A	256TC	1.15	F	B	G	53-49/24.5	145	93.0	0.88	58.6	200	250	6309-2RS	6309-2RS	352



**Phases and HP:** 3-Phase, .33–20 HP **Inverter duty:** (20:1 VT; 10:1 CT)  
**Enclosure:** Totally enclosed fan cooled (TEFC)  
**Frame:** 56C–256TC



# Washdown Duty

## C-Flange/Round Body — Round Conduit Box

### Stainless Steel

HP	Full Load RPM	Model Number	Frame	Service Factor	Insulation Class	NEMA Design	NEMA Code	Full Load Amps @ 230V/460V	Locked Rotor Amps @ 460V	Full Load % Efficiency	Full Load Power Factor	FLT Ft-Lb	LRT (%)	BDT (%)	DE Bearing	ODE Bearing	Weight (lbs.)
0.33	3500	SS56C1/3M-2-RB-A	56C	1.15	F	B	K	1.3/0.65	8	74.0	0.85	0.5	285	300	6205-2RS	6205-2RS	26
	1745	SS56C1/3M-4-RB-A	56C	1.15	F	B	K	1.3/0.65	8	83.0	0.71	1	285	300	6205-2RS	6205-2RS	28
0.5	3460	SS56C1/2M-2-RB-A	56C	1.15	F	B	K	1.8/0.9	10	77.0	0.88	0.7	285	300	6205-2RS	6205-2RS	29
	1745	SS56C1/2M-4-RB-A	56C	1.15	F	B	K	1.8/0.9	10	83.0	0.78	1.5	285	300	6205-2RS	6205-2RS	29
0.75	1155	SS56C1/2M-6-RB-A	56C	1.15	F	B	K	2.2/1.1	10	80.0	0.63	2.2	255	270	6205-2RS	6205-2RS	31
	3500	SS56C3/4M-2-RB-A	56C	1.15	F	B	K	2.6/1.3	12.5	80.0	0.9	1.1	285	300	6205-2RS	6205-2RS	33
	1745	SS56C3/4M-4-RB-A	56C	1.15	F	B	K	2.7/1.35	12.5	83.0	0.78	2.2	285	300	6205-2RS	6205-2RS	33
1	1155	SS56C3/4M-6-RB-A	56C	1.15	F	B	K	3.4/1.7	12.5	80.0	0.65	3.3	255	280	6205-2RS	6205-2RS	34
	3470	PESS56C1M-2-RB-A	56C	1.15	F	B	K	2.9 - 2.8 / 1.4	15	77.0	0.88	1.5	285	300	6205-2RS	6205-2RS	34
	1740	PESS143TC1M-4-RB-A	143TC	1.15	F	B	K	3.1 - 3 / 1.5	15	86.0	0.71	3	285	300	6205-2RS	6205-2RS	36
1.5	1165	PESS56C1M-4-RB-A	56C	1.15	F	B	K	3.1 - 3 / 1.5	15	86.0	0.71	3	285	300	6205-2RS	6205-2RS	35
	1165	PESS145TC1M-6-RB-A	145TC	1.15	F	B	K	4 - 3.8 / 1.9	15	83.0	0.61	4.4	255	270	6205-2RS	6205-2RS	42
	3480	PESS143TC1.5M-2-RB-A	143TC	1.15	F	B	K	4.2 - 4 / 2	20	84.0	0.86	2.3	285	300	6205-2RS	6205-2RS	39
2	1750	PESS56C1.5M-2-RB-A	56C	1.15	F	B	K	4.2 - 4 / 2	20	84.0	0.86	2.3	285	300	6205-2RS	6205-2RS	38
	1750	PESS145TC1.5M-4-RB-A	145TC	1.15	F	B	K	5 - 4.6 / 2.3	20	87.0	0.72	4.4	285	300	6205-2RS	6205-2RS	42
	1170	PESS56C1.5M-4-RB-A	56C	1.15	F	B	K	5 - 4.6 / 2.3	20	87.0	0.72	4.4	285	300	6205-2RS	6205-2RS	41
3	1170	PESS182TC1.5M-6-RB-A	182TC	1.15	F	B	L	5.4 - 4.9 / 2.45	20	86.0	0.7	6.6	255	270	6308-2RS	6306-2RS	78
	3480	PESS145TC2M-2-RB-A	145TC	1.15	F	B	K	4.9 - 4.8 / 2.4	25	86.0	0.9	2.9	285	300	6205-2RS	6205-2RS	45
	1750	PESS56C2M-2-RB-A	56C	1.15	F	B	K	4.9 - 4.8 / 2.4	25	86.0	0.9	2.9	285	300	6205-2RS	6205-2RS	44
5	1175	PESS145TC2M-4-RB-A	145TC	1.15	F	B	K	6.2 - 6 / 3	25	87.0	0.75	5.9	285	300	6205-2RS	6205-2RS	51
	1175	PESS56C2M-4-RB-A	56C	1.15	F	B	K	6.2 - 6 / 3	25	87.0	0.75	5.9	285	300	6205-2RS	6205-2RS	50
	1175	PESS184TC2M-6-RB-A	184TC	1.15	F	B	L	6.6 - 6.1 / 3.05	25	87.0	0.71	8.8	255	270	6308-2RS	6306-2RS	94
7.5	3510	PESS145TC3M-2-RB-A	145TC	1.15	F	B	K	8.6 - 8.2 / 4.1	32	86.5	0.87	4.4	250	285	6205-2RS	6205-2RS	60
	1765	PESS182TC3M-2-RB-A	182TC	1.15	F	B	K	8.8 - 8.1 / 4.05	32	87.0	0.89	4.4	270	290	6308-2RS	6306-2RS	76
	1765	PESS182TC3M-4-RB-A	182TC	1.15	F	B	K	8.4 - 8 / 4	32	90.0	0.81	8.8	270	290	6308-2RS	6306-2RS	77
10	1175	PESS213TC3M-6-RB-A	213TC	1.15	F	B	K	9.3 - 8.6 / 4.3	32	88.0	0.74	13.2	250	280	6308-2RS	6208-2RS	159
	3525	PESS184TC5M-2-RB-A	184TC	1.15	F	B	K	12.6 - 12.2 / 6.1	46	89.0	0.91	7.3	255	280	6308-2RS	6306-2RS	94
	1765	PESS184TC5M-4-RB-A	184TC	1.15	F	B	K	13 - 12.5 / 6.25	46	90.0	0.86	14.7	255	280	6308-2RS	6306-2RS	98
15	1175	PESS215TC5M-6-RB-A	215TC	1.15	F	B	J	14.5 - 13.6 / 6.8	46	88.0	0.78	22.1	250	270	6308-2RS	6208-2RS	196
	3520	PESS213TC7.5M-2-RB-A	213TC	1.15	F	B	K	20.5 - 19 / 9.5	64	90.0	0.85	11.1	250	270	6308-2RS	6208-2RS	150
	1755	PESS213TC7.5M-4-RB-A	213TC	1.15	F	B	H	20 - 18.6 / 9.3	64	92.0	0.83	22	250	270	6308-2RS	6208-2RS	178
20	3525	PESS215TC10M-2-RB-A	215TC	1.15	F	B	H	26 - 24.4 / 12.2	81	90.0	0.87	14.7	250	270	6308-2RS	6208-2RS	165
	1760	PESS215TC10M-4-RB-A	215TC	1.15	F	B	H	26 - 24.4 / 12.2	81	92.0	0.85	29.3	250	270	6308-2RS	6208-2RS	209
15	3540	PESS254TC15M-2-RB-A	254TC	1.15	F	B	G	40 - 37 / 18.5	116	91.0	0.9	22	225	260	6309-2RS	6309-2RS	252
	1765	PESS254TC15M-4-RB-A	254TC	1.15	F	B	G	40 - 37 / 18.5	116	92.0	0.88	44	225	260	6309-2RS	6309-2RS	285
20	3540	PESS256TC20M-2-RB-A	256TC	1.15	F	B	G	50 - 46 / 23	145	91.0	0.9	29.3	200	250	6309-2RS	6309-2RS	285
	1765	PESS256TC20M-4-RB-A	256TC	1.15	F	B	G	53-49/24.5	145	93.0	0.88	58.6	200	250	6309-2RS	6309-2RS	351

GENERAL PURPOSE MOTORS

SPECIAL PURPOSE MOTORS

ACCESSORIES

APPENDIX



**Phases and HP:** 3-Phase, .33–20 HP **Inverter duty:** (20:1 VT; 10:1 CT)  
**Enclosure:** Totally enclosed fan cooled (TEFC)  
**Frame:** 56C–256TC



# Washdown Duty

## C-Flange — Round Conduit Box w/ Encapsulation Stainless Steel

GENERAL PURPOSE MOTORS

SPECIAL PURPOSE MOTORS

ACCESSORIES

APPENDIX

HP	Full Load RPM	Model Number	Frame	Service Factor	Insulation Class	NEMA Design	NEMA Code	Full Load Amps @ 230V/460V	Locked Rotor Amps @ 460V	Full Load % Efficiency	Full Load Power Factor	FLT Ft-Lb	LRT (%)	BDT (%)	DE Bearing	ODE Bearing	Weight (lbs.)
0.33	3500	SS56C1/3M-2-B	56C	1.15	F	B	K	1.3/0.65	8	74.0	0.85	0.5	285	300	6205-2RS	6205-2RS	26
	1745	SS56C1/3M-4-B	56C	1.15	F	B	K	1.3/0.65	8	83.0	0.71	1	285	300	6205-2RS	6205-2RS	28
0.5	3460	SS56C1/2M-2-B	56C	1.15	F	B	K	1.8/0.9	10	77.0	0.88	0.7	285	300	6205-2RS	6205-2RS	29
	1745	SS56C1/2M-4-B	56C	1.15	F	B	K	1.8/0.9	10	83.0	0.78	1.5	285	300	6205-2RS	6205-2RS	29
0.75	1155	SS56C1/2M-6-B	56C	1.15	F	B	K	2.2/1.1	10	80.0	0.63	2.2	255	270	6205-2RS	6205-2RS	31
	3500	SS56C3/4M-2-B	56C	1.15	F	B	K	2.6/1.3	12.5	80.0	0.9	1.1	285	300	6205-2RS	6205-2RS	33
	1745	SS56C3/4M-4-B	56C	1.15	F	B	K	2.7/1.35	12.5	83.0	0.78	2.2	285	300	6205-2RS	6205-2RS	33
1	1155	SS56C3/4M-6-B	56C	1.15	F	B	K	3.4/1.7	12.5	80.0	0.65	3.3	255	280	6205-2RS	6205-2RS	34
	3470	PESS56C1M-2-B	56C	1.15	F	B	K	2.9 - 2.8 / 1.4	15	77.0	0.88	1.5	285	300	6205-2RS	6205-2RS	35
	1740	PESS143TC1M-4-B	143TC	1.15	F	B	K	3.1 - 3 / 1.5	15	86.0	0.71	3	285	300	6205-2RS	6205-2RS	37
		PESS56C1M-4-B	56C	1.15	F	B	K	3.1 - 3 / 1.5	15	86.0	0.71	3	285	300	6205-2RS	6205-2RS	36
1165	PESS145TC1M-6-B	145TC	1.15	F	B	K	4 - 3.8 / 1.9	15	83.0	0.61	4.4	255	270	6205-2RS	6205-2RS	43	
1.5	3480	PESS143TC1.5M-2-B	143TC	1.15	F	B	K	4.2 - 4 / 2	20	84.0	0.86	2.3	285	300	6205-2RS	6205-2RS	40
	1750	PESS56C1.5M-2-B	56C	1.15	F	B	K	4.2 - 4 / 2	20	84.0	0.86	2.3	285	300	6205-2RS	6205-2RS	39
		PESS145TC1.5M-4-B	145TC	1.15	F	B	K	5 - 4.6 / 2.3	20	87.0	0.72	4.4	285	300	6205-2RS	6205-2RS	43
1170	PESS56C1.5M-4-B	56C	1.15	F	B	K	5 - 4.6 / 2.3	20	87.0	0.72	4.4	285	300	6205-2RS	6205-2RS	42	
2	3480	PESS182TC1.5M-6-B	182TC	1.15	F	B	L	5.4 - 4.9 / 2.45	20	86.0	0.7	6.6	255	270	6308-2RS	6306-2RS	79
	1750	PESS145TC2M-2-B	145TC	1.15	F	B	K	4.9 - 4.8 / 2.4	25	86.0	0.9	2.9	285	300	6205-2RS	6205-2RS	46
		PESS56C2M-2-B	56C	1.15	F	B	K	4.9 - 4.8 / 2.4	25	86.0	0.9	2.9	285	300	6205-2RS	6205-2RS	45
	1175	PESS145TC2M-4-B	145TC	1.15	F	B	K	6.2 - 6 / 3	25	87.0	0.75	5.9	285	300	6205-2RS	6205-2RS	52
3	3510	PESS56C2M-4-B	56C	1.15	F	B	K	6.2 - 6 / 3	25	87.0	0.75	5.9	285	300	6205-2RS	6205-2RS	51
	1765	PESS184TC2M-6-B	184TC	1.15	F	B	L	6.6 - 6.1 / 3.05	25	87.0	0.71	8.8	255	270	6308-2RS	6306-2RS	95
		PESS145TC3M-2-B	145TC	1.15	F	B	K	8.6 - 8.2 / 4.1	32	86.5	0.87	4.4	250	285	6205-2RS	6205-2RS	60
5	1765	PESS182TC3M-2-B	182TC	1.15	F	B	K	8.8 - 8.1 / 4.05	32	87.0	0.89	4.4	270	290	6308-2RS	6306-2RS	77
	1765	PESS182TC3M-4-B	182TC	1.15	F	B	K	8.4 - 8 / 4	32	90.0	0.81	8.8	270	290	6308-2RS	6306-2RS	78
	1175	PESS213TC3M-6-B	213TC	1.15	F	B	K	9.3 - 8.6 / 4.3	32	88.0	0.74	13.2	250	280	6308-2RS	6208-2RS	160
7.5	3525	PESS184TC5M-2-B	184TC	1.15	F	B	K	12.6 - 12.2 / 6.1	46	89.0	0.91	7.3	255	280	6308-2RS	6306-2RS	95
	1765	PESS184TC5M-4-B	184TC	1.15	F	B	K	13 - 12.5 / 6.25	46	90.0	0.86	14.7	255	280	6308-2RS	6306-2RS	99
	1175	PESS215TC5M-6-B	215TC	1.15	F	B	J	14.5 - 13.6 / 6.8	46	88.0	0.78	22.1	250	270	6308-2RS	6208-2RS	197
10	3520	PESS213TC7.5M-2-B	213TC	1.15	F	B	K	20.5 - 19 / 9.5	64	90.0	0.85	11.1	250	270	6308-2RS	6208-2RS	151
	1755	PESS213TC7.5M-4-B	213TC	1.15	F	B	H	20 - 18.6 / 9.3	64	92.0	0.83	22	250	270	6308-2RS	6208-2RS	179
15	3525	PESS215TC10M-2-B	215TC	1.15	F	B	H	26 - 24.4 / 12.2	81	90.0	0.87	14.7	250	270	6308-2RS	6208-2RS	166
	1760	PESS215TC10M-4-B	215TC	1.15	F	B	H	26 - 24.4 / 12.2	81	92.0	0.85	29.3	250	270	6308-2RS	6208-2RS	210
20	3540	PESS254TC15M-2-B	254TC	1.15	F	B	G	40 - 37 / 18.5	116	91.0	0.9	22	225	260	6309-2RS	6309-2RS	253
	1765	PESS254TC15M-4-B	254TC	1.15	F	B	G	40 - 37 / 18.5	116	92.0	0.88	44	225	260	6309-2RS	6309-2RS	286
20	3540	PESS256TC20M-2-B	256TC	1.15	F	B	G	50 - 46 / 23	145	91.0	0.9	29.3	200	250	6309-2RS	6309-2RS	286
	1765	PESS256TC20M-4-B	256TC	1.15	F	B	G	53-49/24.5	145	93.0	0.88	58.6	200	250	6309-2RS	6309-2RS	352



Phases and HP: 3-Phase, .33–20 HP

Inverter duty: (20:1 VT; 10:1 CT)

Enclosure: Totally enclosed fan cooled (TEFC)

Frame: 56C–256TC



# Washdown Duty

C-Flange/Round Body — Round Conduit Box  
w/ Encapsulation — Stainless Steel

HP	Full Load RPM	Model Number	Frame	Service Factor	Insulation Class	NEMA Design	NEMA Code	Full Load Amps @ 230V/460V	Locked Rotor Amps @ 460V	Full Load % Efficiency	Full Load Power Factor	FLT Ft-Lb	LRT (%)	BDT (%)	DE Bearing	ODE Bearing	Weight (lbs.)
0.33	3500	SS56C1/3M-2-RB-B	56C	1.15	F	B	K	1.3/0.65	8	74.0	0.85	0.5	285	300	6205-2RS	6205-2RS	26
	1745	SS56C1/3M-4-RB-B	56C	1.15	F	B	K	1.3/0.65	8	83.0	0.71	1	285	300	6205-2RS	6205-2RS	28
0.5	3460	SS56C1/2M-2-RB-B	56C	1.15	F	B	K	1.8/0.9	10	77.0	0.88	0.7	285	300	6205-2RS	6205-2RS	29
	1745	SS56C1/2M-4-RB-B	56C	1.15	F	B	K	1.8/0.9	10	83.0	0.78	1.5	285	300	6205-2RS	6205-2RS	29
0.75	1155	SS56C1/2M-6-RB-B	56C	1.15	F	B	K	2.2/1.1	10	80.0	0.63	2.2	255	270	6205-2RS	6205-2RS	31
	3500	SS56C3/4M-2-RB-B	56C	1.15	F	B	K	2.6/1.3	12.5	80.0	0.9	1.1	285	300	6205-2RS	6205-2RS	33
1	1745	SS56C3/4M-4-RB-B	56C	1.15	F	B	K	2.7/1.35	12.5	83.0	0.78	2.2	285	300	6205-2RS	6205-2RS	33
	1155	SS56C3/4M-6-RB-B	56C	1.15	F	B	K	3.4/1.7	12.5	80.0	0.65	3.3	255	280	6205-2RS	6205-2RS	34
1.5	3470	PESS56C1M-2-RB-B	56C	1.15	F	B	K	2.9 - 2.8 / 1.4	15	77.0	0.88	1.5	285	300	6205-2RS	6205-2RS	34
	1740	PESS143TC1M-4-RB-B	143TC	1.15	F	B	K	3.1 - 3 / 1.5	15	86.0	0.71	3	285	300	6205-2RS	6205-2RS	36
2	1165	PESS56C1M-4-RB-B	56C	1.15	F	B	K	3.1 - 3 / 1.5	15	86.0	0.71	3	285	300	6205-2RS	6205-2RS	35
	1165	PESS145TC1M-6-RB-B	145TC	1.15	F	B	K	4 - 3.8 / 1.9	15	83.0	0.61	4.4	255	270	6205-2RS	6205-2RS	42
3	3480	PESS143TC1.5M-2-RB-B	143TC	1.15	F	B	K	4.2 - 4 / 2	20	84.0	0.86	2.3	285	300	6205-2RS	6205-2RS	39
	1750	PESS56C1.5M-2-RB-B	56C	1.15	F	B	K	4.2 - 4 / 2	20	84.0	0.86	2.3	285	300	6205-2RS	6205-2RS	38
4	1170	PESS145TC1.5M-4-RB-B	145TC	1.15	F	B	K	5 - 4.6 / 2.3	20	87.0	0.72	4.4	285	300	6205-2RS	6205-2RS	42
	1170	PESS56C1.5M-4-RB-B	56C	1.15	F	B	K	5 - 4.6 / 2.3	20	87.0	0.72	4.4	285	300	6205-2RS	6205-2RS	41
5	3480	PESS182TC1.5M-6-RB-B	182TC	1.15	F	B	L	5.4 - 4.9 / 2.45	20	86.0	0.7	6.6	255	270	6308-2RS	6306-2RS	78
	1750	PESS145TC2M-2-RB-B	145TC	1.15	F	B	K	4.9 - 4.8 / 2.4	25	86.0	0.9	2.9	285	300	6205-2RS	6205-2RS	45
6	1175	PESS56C2M-2-RB-B	56C	1.15	F	B	K	4.9 - 4.8 / 2.4	25	86.0	0.9	2.9	285	300	6205-2RS	6205-2RS	44
	1175	PESS145TC2M-4-RB-B	145TC	1.15	F	B	K	6.2 - 6 / 3	25	87.0	0.75	5.9	285	300	6205-2RS	6205-2RS	51
7	1750	PESS56C2M-4-RB-B	56C	1.15	F	B	K	6.2 - 6 / 3	25	87.0	0.75	5.9	285	300	6205-2RS	6205-2RS	50
	1175	PESS184TC2M-6-RB-B	184TC	1.15	F	B	L	6.6 - 6.1 / 3.05	25	87.0	0.71	8.8	255	270	6308-2RS	6306-2RS	94
8	3510	PESS145TC3M-2-RB-B	145TC	1.15	F	B	K	8.6 - 8.2 / 4.1	32	86.5	0.87	4.4	250	285	6205-2RS	6205-2RS	60
	1765	PESS182TC3M-2-RB-B	182TC	1.15	F	B	K	8.8 - 8.1 / 4.05	32	87.0	0.89	4.4	270	290	6308-2RS	6306-2RS	76
9	1765	PESS182TC3M-4-RB-B	182TC	1.15	F	B	K	8.4 - 8 / 4	32	90.0	0.81	8.8	270	290	6308-2RS	6306-2RS	77
	1175	PESS213TC3M-6-RB-B	213TC	1.15	F	B	K	9.3 - 8.6 / 4.3	32	88.0	0.74	13.2	250	280	6308-2RS	6208-2RS	159
10	3525	PESS184TC5M-2-RB-B	184TC	1.15	F	B	K	12.6 - 12.2 / 6.1	46	89.0	0.91	7.3	255	280	6308-2RS	6306-2RS	94
	1765	PESS184TC5M-4-RB-B	184TC	1.15	F	B	K	13 - 12.5 / 6.25	46	90.0	0.86	14.7	255	280	6308-2RS	6306-2RS	98
12	1175	PESS215TC5M-6-RB-B	215TC	1.15	F	B	J	14.5 - 13.6 / 6.8	46	88.0	0.78	22.1	250	270	6308-2RS	6208-2RS	196
	3520	PESS213TC7.5M-2-RB-B	213TC	1.15	F	B	K	20.5 - 19 / 9.5	64	90.0	0.85	11.1	250	270	6308-2RS	6208-2RS	150
14	1755	PESS213TC7.5M-4-RB-B	213TC	1.15	F	B	H	20 - 18.6 / 9.3	64	92.0	0.83	22	250	270	6308-2RS	6208-2RS	178
	3525	PESS215TC10M-2-RB-B	215TC	1.15	F	B	H	26 - 24.4 / 12.2	81	90.0	0.87	14.7	250	270	6308-2RS	6208-2RS	165
16	1760	PESS215TC10M-4-RB-B	215TC	1.15	F	B	H	26 - 24.4 / 12.2	81	92.0	0.85	29.3	250	270	6308-2RS	6208-2RS	209
	3540	PESS254TC15M-2-RB-B	254TC	1.15	F	B	G	40 - 37 / 18.5	116	91.0	0.9	22	225	260	6309-2RS	6309-2RS	252
18	1765	PESS254TC15M-4-RB-B	254TC	1.15	F	B	G	40 - 37 / 18.5	116	92.0	0.88	44	225	260	6309-2RS	6309-2RS	285
	3540	PESS256TC20M-2-RB-B	256TC	1.15	F	B	G	50 - 46 / 23	145	91.0	0.9	29.3	200	250	6309-2RS	6309-2RS	285
20	1765	PESS256TC20M-4-RB-B	256TC	1.15	F	B	G	53-49/24.5	145	93.0	0.88	58.6	200	250	6309-2RS	6309-2RS	351

GENERAL PURPOSE MOTORS

SPECIAL PURPOSE MOTORS

ACCESSORIES

APPENDIX



Phases and HP: 3-phase, .33-3.0 HP

Inverter duty: (20:1 VT; 10:1 CT)

Enclosure: Totally enclosed non ventilated (TENV)

Frame: 56C-182TC



# Washdown Duty

## C-Flange — Round Conduit Box — Stainless Steel

GENERAL PURPOSE MOTORS

SPECIAL PURPOSE MOTORS

ACCESSORIES

APPENDIX

HP	Full Load RPM	Model Number	Frame	Service Factor	Insulation Class	NEMA Design	NEMA Code	Full Load Amps @ 230V/460V	Locked Rotor Amps @ 460V	Full Load % Efficiency	Full Load Power Factor	FLT Ft-Lb	LRT (%)	BDT (%)	DE Bearing	ODE Bearing	Weight (lbs.)
0.33	3500	SS56C1/3M-2-A-NV	56C	1.15	F	B	R	1.3/0.65	6.5	72.0	0.78	0.5	290	320	6205-2RS	6205-2RS	26
	1760	SS56C1/3M-4-A-NV	56C	1.15	F	B	R	1.7/0.85	6.5	74.0	0.62	1	300	400	6205-2RS	6205-2RS	28
0.5	3490	SS56C1/2M-2-A-NV	56C	1.15	F	B	R	1.8/0.9	10	74.0	0.83	0.7	285	300	6205-2RS	6205-2RS	29
	1745	SS56C1/2M-4-A-NV	56C	1.15	F	B	R	1.8/0.9	10	78.5	0.7	1.5	285	300	6205-2RS	6205-2RS	30
0.75	3500	SS56C3/4M-2-A-NV	56C	1.15	F	B	P	2.6/1.3	12.5	77.0	0.83	1.1	285	300	6205-2RS	6205-2RS	33
	1755	SS56C3/4M-4-A-NV	56C	1.15	F	B	P	2.8/1.4	12.5	81.5	0.69	2.2	285	320	6205-2RS	6205-2RS	33
1	1755	PESS143TC1M-4-A-NV	143TC	1.15	F	B	N	3.7/1.85	15	82.5	0.74	3	300	400	6205-2RS	6205-2RS	42
	3530	PESS56C1M-2-A-NV	56C	1.15	F	B	N	3.3/1.65	15	75.5	0.83	1.5	320	430	6205-2RS	6205-2RS	39
	1755	PESS56C1M-4-A-NV	56C	1.15	F	B	N	3.7/1.85	15	82.5	0.74	3	300	400	6205-2RS	6205-2RS	42
	3525	PESS143TC1.5M-2-A-NV	143TC	1.15	F	B	M	4.4/2.2	20	82.5	0.89	2.3	285	300	6205-2RS	6205-2RS	46
1.5	1755	PESS145TC1.5M-4-A-NV	145TC	1.15	F	B	M	5.2/2.6	20	84.0	0.74	4.4	300	400	6205-2RS	6205-2RS	51
	3525	PESS56C1.5M-2-A-NV	56C	1.15	F	B	M	4.4/2.2	20	82.5	0.89	2.3	285	300	6205-2RS	6205-2RS	46
	1755	PESS56C1.5M-4-A-NV	56C	1.15	F	B	M	5.2/2.6	20	84.0	0.74	4.4	300	400	6205-2RS	6205-2RS	51
2	3520	PESS145TC2M-2-A-NV	145TC	1.15	F	B	L	6.0/3.0	25	84.0	0.9	2.9	285	300	6205-2RS	6205-2RS	60
	1750	PESS145TC2M-4-A-NV	145TC	1.15	F	B	L	6.4/3.2	25	84.0	0.79	5.9	300	400	6205-2RS	6205-2RS	65
	3520	PESS56C2M-2-A-NV	56C	1.15	F	B	L	6.0/3.0	25	84.0	0.9	2.9	285	300	6205-2RS	6205-2RS	60
	1750	PESS56C2M-4-A-NV	56C	1.15	F	B	L	6.4/3.2	25	84.0	0.79	5.9	300	400	6205-2RS	6205-2RS	65
3	3535	PESS182TC3M-2-A-NV	182TC	1.15	F	B	K	8.6/4.3	32	85.5	0.89	4.4	230	290	6308-2RS	6306-2RS	95
	1760	PESS182TC3M-4-A-NV	182TC	1.15	F	B	K	9.0/4.5	32	87.5	0.82	8.8	240	300	6308-2RS	6306-2RS	99

Phases and HP: 3-phase, .33-3.0 HP

Frame: 56C-182TC

Enclosure: Round Body-

Inverter duty: (20:1 VT; 10:1 CT)

Totally enclosed non ventilated (TENV)



# Washdown Duty

C-Flange/Round Body — Round Conduit Box  
Stainless Steel

HP	Full Load RPM	Model Number	Frame	Service Factor	Insulation Class	NEMA Design	NEMA Code	Full Load Amps @ 230V/460V	Locked Rotor Amps @ 460V	Full Load % Efficiency	Full Load Power Factor	FLT Ft-Lb	LRT (%)	BDT (%)	DE Bearing	ODE Bearing	Weight (lbs.)
0.33	3500	SS56C1/3M-2-RB-A-NV	56C	1.15	F	B	R	1.3/0.65	6.5	72.0	0.78	0.5	290	320	6205-2RS	6205-2RS	26
	1760	SS56C1/3M-4-RB-A-NV	56C	1.15	F	B	R	1.7/0.85	6.5	74.0	0.62	1	300	400	6205-2RS	6205-2RS	28
0.5	3490	SS56C1/2M-2-RB-A-NV	56C	1.15	F	B	R	1.8/0.9	10	74.0	0.83	0.7	285	300	6205-2RS	6205-2RS	29
	1745	SS56C1/2M-4-RB-A-NV	56C	1.15	F	B	R	1.8/0.9	10	78.5	0.7	1.5	285	300	6205-2RS	6205-2RS	30
0.75	3500	SS56C3/4M-2-RB-A-NV	56C	1.15	F	B	P	2.6/1.3	12.5	77.0	0.83	1.1	285	300	6205-2RS	6205-2RS	33
	1755	SS56C3/4M-4-RB-A-NV	56C	1.15	F	B	P	2.8/1.4	12.5	81.5	0.69	2.2	285	320	6205-2RS	6205-2RS	33
1	1755	PESS143TC1M-4-RB-A-NV	143TC	1.15	F	B	N	3.7/1.85	15	82.5	0.74	3	300	400	6205-2RS	6205-2RS	42
	3530	PESS56C1M-2-RB-A-NV	56C	1.15	F	B	N	3.3/1.65	15	75.5	0.83	1.5	320	430	6205-2RS	6205-2RS	39
	1755	PESS56C1M-4-RB-A-NV	56C	1.15	F	B	N	3.7/1.85	15	82.5	0.74	3	300	400	6205-2RS	6205-2RS	42
	3525	PESS143TC1.5M-2-RB-A-NV	143TC	1.15	F	B	M	4.4/2.2	20	82.5	0.89	2.3	285	300	6205-2RS	6205-2RS	46
1.5	1755	PESS145TC1.5M-4-RB-A-NV	145TC	1.15	F	B	M	5.2/2.6	20	84.0	0.74	4.4	300	400	6205-2RS	6205-2RS	51
	3525	PESS56C1.5M-2-RB-A-NV	56C	1.15	F	B	M	4.4/2.2	20	82.5	0.89	2.3	285	300	6205-2RS	6205-2RS	46
	1755	PESS56C1.5M-4-RB-A-NV	56C	1.15	F	B	M	5.2/2.6	20	84.0	0.74	4.4	300	400	6205-2RS	6205-2RS	51
2	3520	PESS145TC2M-2-RB-A-NV	145TC	1.15	F	B	L	6.0/3.0	25	84.0	0.9	2.9	285	300	6205-2RS	6205-2RS	60
	1750	PESS145TC2M-4-RB-A-NV	145TC	1.15	F	B	L	6.4/3.2	25	84.0	0.79	5.9	300	400	6205-2RS	6205-2RS	65
	3520	PESS56C2M-2-RB-A-NV	56C	1.15	F	B	L	6.0/3.0	25	84.0	0.9	2.9	285	300	6205-2RS	6205-2RS	60
	1750	PESS56C2M-4-RB-A-NV	56C	1.15	F	B	L	6.4/3.2	25	84.0	0.79	5.9	300	400	6205-2RS	6205-2RS	65
3	3535	PESS182TC3M-2-RB-A-NV	182TC	1.15	F	B	K	8.6/4.3	32	85.5	0.89	4.4	230	290	6308-2RS	6306-2RS	95
	1760	PESS182TC3M-4-RB-A-NV	182TC	1.15	F	B	K	9.0/4.5	32	87.5	0.82	8.8	240	300	6308-2RS	6306-2RS	99

GENERAL PURPOSE MOTORS

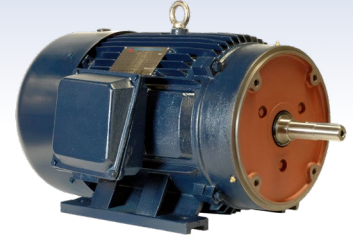
SPECIAL PURPOSE MOTORS

ACCESSORIES

APPENDIX



**Phases and HP:** 3-Phase, 1–75 HP **Inverter duty:** (20:1 VT; 10:1 CT)  
**Enclosure:** Totally enclosed fan cooled (TEFC)  
**Frame:** 143JM–365JM



# Close Coupled

## JM Frame — Heavy Duty Cast Iron

GENERAL PURPOSE MOTORS

SPECIAL PURPOSE MOTORS

ACCESSORIES

APPENDIX

HP	Full Load RPM	Model Number	Frame	Service Factor	Insulation Class	NEMA Design	NEMA Code	Full Load Amps @ 230V/460V	Locked Rotor Amps @ 460V	Full Load % Efficiency	Full Load Power Factor	FLT Ft-Lb	LRT (%)	BDT (%)	DE Bearing	ODE Bearing	Weight (lbs.)
1	1745	PE143JM-1-4	143JM	1.15	F	B	M	3.2-3/1.5	15	85.5	0.71	3	275	310	6206-ZZ	6205-ZZ	45
	3520	PE143JM-1.5-2	143JM	1.15	F	B	M	4.4-4/2	20	84.0	0.74	2.2	200	280	6206-ZZ	6205-ZZ	47
1.5	1750	PE145JM-1.5-4	145JM	1.15	F	B	M	4.7-4.4/2.2	20	86.5	0.7	4.5	250	330	6206-ZZ	6205-ZZ	50
	3510	PE145JM-2-2	145JM	1.15	F	B	L	5.8-5.3/2.65	25	85.5	0.82	3	190	285	6206-ZZ	6205-ZZ	49
2	1745	PE145JM-2-4	145JM	1.15	F	B	L	6.6-6.2/3.1	25	86.5	0.72	6.1	235	280	6206-ZZ	6205-ZZ	49
	3480	PE145JM-3-2	145JM	1.15	F	B	K	9-8.2/4.1	32	86.5	0.8	4.6	200	300	6206-ZZ	6205-ZZ	60
3	3520	PE182JM-3-2	182JM	1.15	F	B	K	7.9-7.4/3.7	32	86.5	0.85	4.5	180	280	6208-ZZ	6306-ZZ	89
	1760	PE182JM-3-4	182JM	1.15	F	B	K	8.2-7.6/3.8	32	89.5	0.77	9	215	300	6208-ZZ	6306-ZZ	89
5	3515	PE184JM-5-2	184JM	1.15	F	B	J	13-11.6/5.8	46	88.5	0.9	7.5	170	285	6208-ZZ	6306-ZZ	108
	1755	PE184JM-5-4	184JM	1.15	F	B	J	14-13.6/6.8	46	89.5	0.78	15	185	280	6208-ZZ	6306-ZZ	96
7.5	3500	PE184JM-7.5-2	184JM	1.15	F	B	H	18.8-17.6/8.8	63	89.5	0.9	11.3	190	300	6208-ZZ	6306-ZZ	117
	3530	PE213JM-7.5-2	213JM	1.15	F	B	H	18.8-17.6/8.8	63	89.5	0.9	11.2	160	290	6309-ZZ	6308-ZZ	156
10	1770	PE213JM-7.5-4	213JM	1.15	F	B	H	19.8-18.4/9.2	63	91.7	0.8	22.5	180	280	6309-ZZ	6308-ZZ	162
	3525	PE215JM-10-2	215JM	1.15	F	B	H	23.9-22.8/11.4	81	90.2	0.92	14.9	160	290	6309-ZZ	6308-ZZ	166
15	1770	PE215JM-10-4	215JM	1.15	F	B	H	26-24/12	81	91.7	0.81	30	170	280	6309-ZZ	6308-ZZ	179
	3510	PE215JM-15-2	215JM	1.15	F	B	G	37-35/17.5	116	91.0	0.91	22.4	170	280	6309-ZZ	6308-ZZ	175
20	3545	PE254JM-15-4	254JM	1.15	F	B	G	36.2-34.4/17.2	116	91.0	0.89	22.2	150	260	6309	6309	261
	1770	PE254JM-15-4	254JM	1.15	F	B	G	37.2-36.4/18.2	116	92.4	0.81	44.8	170	260	6309	6309	279
25	3540	PE256JM-20-2	256JM	1.15	F	B	G	48.5-46/23	145	91.0	0.87	29.8	150	250	6309	6309	288
	1760	PE256JM-20-4	256JM	1.15	F	B	G	51.8-48.4/24.2	145	93.0	0.83	59.8	160	260	6309	6309	322
30	3535	PE256JM-25-2	256JM	1.15	F	B	G	60-56/28	182	91.7	0.91	37.2	160	260	6309	6309	326
	3540	PE284JM-25-2	284JM	1.15	F	B	G	61-57/28.5	182	91.7	0.9	37.2	150	240	6311	6311	369
40	1775	PE284JM-25-4	284JM	1.15	F	B	G	65-60/30	182	93.6	0.84	74.3	160	255	6311	6311	369
	3530	PE286JM-30-2	286JM	1.15	F	B	G	74-69/34.5	217	91.7	0.9	44.5	150	260	6311	6311	401
50	1775	PE286JM-30-4	286JM	1.15	F	B	G	76-70.6/35.3	217	93.6	0.84	89.1	160	250	6311	6311	429
	3540	PE286JM-40-2	286JM	1.15	F	B	G	95-89/44.5	290	92.4	0.91	59.2	180	290	6311	6311	417
60	3545	PE324JM-40-4	324JM	1.15	F	B	G	100-93.2/46.6	290	94.1	0.83	118.8	160	245	6312	6312	535
	3545	PE326JM-50-2	326JM	1.15	F	B	G	124-116.2/58.1	362	93.0	0.91	73.9	140	250	6312	6312	568
75	1780	PE326JM-50-4	326JM	1.15	F	B	G	124-116.6/58.3	362	94.5	0.83	148.4	160	255	6312	6312	591
	3565	PE364JM-60-2	364JM	1.15	F	B	G	146-132/66	435	93.6	0.92	88.6	140	255	6313	6313	815
80	1780	PE364JM-60-4	364JM	1.15	F	B	G	154-139/69.5	435	95.0	0.85	177.6	160	240	6313	6313	788
	3565	PE365JM-75-2	365JM	1.15	F	B	G	184-166/83	542	93.6	0.91	110.7	130	250	6313	6313	853
90	1780	PE365JM-75-4	365JM	1.15	F	B	G	193-174/87	542	95.4	0.85	222	160	250	6313	6313	833





Phases and HP: 3-Phase, 1–75 HP

Inverter duty: (20:1 VT; 10:1 CT)

Enclosure: Totally enclosed fan cooled (TEFC)

Frame: 143JP–365JP



# Close Coupled

## JP Frame — Heavy Duty Cast Iron

HP	Full Load RPM	Model Number	Frame	Service Factor	Insulation Class	NEMA Design	NEMA Code	Full Load Amps @ 230V/460V	Locked Rotor Amps @ 460V	Full Load % Efficiency	Full Load Power Factor	FLT Ft-Lb	LRT (%)	BDT (%)	DE Bearing	ODE Bearing	Weight (lbs.)
1	1745	PE143JP-1-4	143JP	1.15	F	B	M	3.2-3/1.5	15	85.5	0.71	3	275	310	6206-ZZ	6205-ZZ	49
1.5	3520	PE143JP-1.5-2	143JP	1.15	F	B	M	4.4-4/2	20	84.0	0.74	2.2	200	280	6206-ZZ	6205-ZZ	47
	1750	PE145JP-1.5-4	145JP	1.15	F	B	M	4.7-4.4/2.2	20	86.5	0.7	4.5	250	330	6206-ZZ	6205-ZZ	53
2	3510	PE145JP-2-2	145JP	1.15	F	B	L	5.8-5.3/2.65	25	85.5	0.82	3	190	285	6206-ZZ	6205-ZZ	49
	1745	PE145JP-2-4	145JP	1.15	F	B	L	6.6-6.2/3.1	25	86.5	0.72	6.1	235	280	6206-ZZ	6205-ZZ	54
3	3480	PE145JP-3-2	145JP	1.15	F	B	K	9-8.2/4.1	32	86.5	0.8	4.6	200	300	6206-ZZ	6205-ZZ	56
	3520	PE182JP-3-2	182JP	1.15	F	B	K	7.9-7.4/3.7	32	86.5	0.85	4.5	180	280	6208-ZZ	6306-ZZ	89
3	1760	PE182JP-3-4	182JP	1.15	F	B	K	8.2-7.6/3.8	32	89.5	0.77	9	215	300	6208-ZZ	6306-ZZ	90
	3515	PE184JP-5-2	184JP	1.15	F	B	J	13-11.6/5.8	46	88.5	0.9	7.5	170	285	6208-ZZ	6306-ZZ	107
5	1755	PE184JP-5-4	184JP	1.15	F	B	J	14-13.6/6.8	46	89.5	0.78	15	185	280	6208-ZZ	6306-ZZ	98
7.5	3500	PE184JP-7.5-2	184JP	1.15	F	B	H	18.8-17.6/8.8	63	89.5	0.9	11.3	190	300	6208-ZZ	6306-ZZ	119
	3530	PE213JP-7.5-2	213JP	1.15	F	B	H	18.8-17.6/8.8	63	89.5	0.9	11.2	160	290	6309-ZZ	6308-ZZ	160
7.5	1770	PE213JP-7.5-4	213JP	1.15	F	B	H	19.8-18.4/9.2	63	91.7	0.8	22.5	180	280	6309-ZZ	6308-ZZ	159
	3525	PE215JP-10-2	215JP	1.15	F	B	H	23.9-22.8/11.4	81	90.2	0.92	14.9	160	290	6309-ZZ	6308-ZZ	173
10	1770	PE215JP-10-4	215JP	1.15	F	B	H	26-24/12	81	91.7	0.81	30	170	280	6309-ZZ	6308-ZZ	186
15	3510	PE215JP-15-2	215JP	1.15	F	B	G	37-35/17.5	116	91.0	0.91	22.4	170	280	6309-ZZ	6308-ZZ	189
	3545	PE254JP-15-2	254JP	1.15	F	B	G	36.2-34.4/17.2	116	91.0	0.89	22.2	150	260	6309	6309	261
15	1770	PE254JP-15-4	254JP	1.15	F	B	G	37.2-36.4/18.2	116	92.4	0.81	44.8	170	260	6309	6309	281
	3540	PE256JP-20-2	256JP	1.15	F	B	G	48.5-46/23	145	91.0	0.87	29.8	150	250	6309	6309	269
20	1760	PE256JP-20-4	256JP	1.15	F	B	G	51.8-48.4/24.2	145	93.0	0.83	59.8	160	260	6309	6309	312
25	3535	PE256JP-25-2	256JP	1.15	F	B	G	60-56/28	182	91.7	0.91	37.2	160	260	6309	6309	326
	3540	PE284JP-25-2	284JP	1.15	F	B	G	61-57/28.5	182	91.7	0.9	37.2	150	240	6311	6311	371
25	1775	PE284JP-25-4	284JP	1.15	F	B	G	65-60/30	182	93.6	0.84	74.3	160	255	6311	6311	395
	3530	PE286JP-30-2	286JP	1.15	F	B	G	74-69/34.5	217	91.7	0.9	44.5	150	260	6311	6311	412
30	1775	PE286JP-30-4	286JP	1.15	F	B	G	76-70.6/35.3	217	93.6	0.84	89.1	160	250	6311	6311	429
40	3540	PE286JP-40-2	286JP	1.15	F	B	G	95-89/44.5	290	92.4	0.91	59.2	180	290	6311	6311	425
	3545	PE324JP-40-2	324JP	1.15	F	B	G	94.9-91/45.5	290	92.4	0.9	59.2	140	250	6312	6312	542
40	1780	PE324JP-40-4	324JP	1.15	F	B	G	100-93.2/46.6	290	94.1	0.83	118.8	160	245	6312	6312	530
	3545	PE326JP-50-2	326JP	1.15	F	B	G	124-116.2/58.1	362	93.0	0.91	73.9	140	250	6312	6312	573
50	1780	PE326JP-50-4	326JP	1.15	F	B	G	124-116.6/58.3	362	94.5	0.83	148.4	160	255	6312	6312	600
60	3565	PE364JP-60-2	364JP	1.15	F	B	G	146-132/66	435	93.6	0.92	88.6	140	255	6313	6313	818
	1780	PE364JP-60-4	364JP	1.15	F	B	G	154-139/69.5	435	95.0	0.85	177.6	160	240	6313	6313	789
75	3565	PE365JP-75-2	365JP	1.15	F	B	G	184-166/83	542	93.6	0.91	110.7	130	250	6313	6313	778
	1780	PE365JP-75-4	365JP	1.15	F	B	G	193-174/87	542	95.4	0.85	222	160	250	6313	6313	836

GENERAL PURPOSE MOTORS

SPECIAL PURPOSE MOTORS

ACCESSORIES

APPENDIX



Phases and HP: 3-Phase, 1–250 HP

Inverter rated: (10:1 VT; 5:1 CT)

Enclosure: Totally enclosed explosion proof (TEXP)

Frame: 143T–449T



# Explosion Proof

## Cast Iron

GENERAL PURPOSE MOTORS

SPECIAL PURPOSE MOTORS

ACCESSORIES

APPENDIX

HP	Full Load RPM	Model Number	Frame	Service Factor	Insulation Class	NEMA Design	NEMA Code	Full Load Amps @ 230V/460V	Locked Rotor Amps @ 460V	Full Load % Efficiency	Full Load Power Factor	FLT Ft-Lb	LRT (%)	BDT (%)	DE Bearing	ODE Bearing	Weight (lbs.)
1	1773	PEXP143T-1-4	143T	1.15	F	B	N	3-2.7/1.35	15	85.5	0.79	3	275	300	6205-ZZ	6205-ZZ	90
	1175	PEXP145T-1-6	145T	1.15	F	B	N	3.6-3.3/1.65	15	82.5	0.66	4.5	170	265	6205-ZZ	6205-ZZ	84
1.5	3511	PEXP143T-1.5-2	143T	1.15	F	B	M	4.1-3.7/1.85	20	84.0	0.85	2.3	175	250	6205-ZZ	6205-ZZ	86
	1769	PEXP145T-1.5-4	145T	1.15	F	B	M	4.3-3.9/1.95	20	86.5	0.79	6	250	280	6205-ZZ	6205-ZZ	90
2	1183	PEXP182T-1.5-6	182T	1.15	F	B	M	4.6-4.1/2.07	20	87.5	0.71	6.7	165	250	6306-ZZ	6306-ZZ	132
	3504	PEXP145T-2-2	145T	1.15	F	B	L	5.5-5/2.5	25	85.5	0.86	3	170	240	6205-ZZ	6205-ZZ	86
3	1765	PEXP145T-2-4	145T	1.15	F	B	L	5.8-5.2/2.6	25	86.5	0.8	6	235	270	6205-ZZ	6205-ZZ	88
	1183	PEXP184T-2-6	184T	1.15	F	B	L	6.2-5.6/2.8	25	88.5	0.73	8.9	160	240	6306-ZZ	6306-ZZ	143
5	3528	PEXP182T-3-2	182T	1.15	F	B	K	7.7-7/3.5	32	86.5	0.87	4.5	160	230	6306-ZZ	6306-ZZ	134
	1773	PEXP182T-3-4	182T	1.15	F	B	K	8.4-7.6/3.8	32	89.5	0.77	8.9	215	250	6306-ZZ	6306-ZZ	143
7.5	1182	PEXP213T-3-6	213T	1.15	F	B	K	8.7-7.9/3.95	32	89.5	0.71	13.3	155	230	6308-ZZ	6308-ZZ	248
	3543	PEXP184T-5-2	184T	1.15	F	B	J	13.3-12/6	46	88.5	0.85	7.4	150	215	6306-ZZ	6306-ZZ	135
10	1767	PEXP184T-5-4	184T	1.15	F	B	J	15.5-14/7	46	89.5	0.81	14.9	185	225	6306-ZZ	6306-ZZ	146
	1178	PEXP215T-5-6	215T	1.15	F	B	J	16.6-15/7.5	46	89.5	0.75	22.3	150	215	6308-ZZ	6308-ZZ	256
15	3539	PEXP213T-7.5-2	213T	1.15	F	B	H	18.4-16.6/8.3	63.5	89.5	0.86	11.2	140	200	6308-ZZ	6308-ZZ	249
	1773	PEXP213T-7.5-4	213T	1.15	F	B	H	19.7-17.8/8.9	63.5	91.7	0.84	22.3	175	215	6308-ZZ	6308-ZZ	265
20	1186	PEXP254T-7.5-6	254T	1.15	F	B	H	27.6-25/12.5	63.5	91.0	0.78	33.2	150	205	6309	6309	401
	3540	PEXP215T-10-2	215T	1.15	F	B	H	25.4-23/11.5	81	90.2	0.88	14.9	135	200	6308-ZZ	6308-ZZ	251
25	1772	PEXP215T-10-4	215T	1.15	F	B	H	27-24.4/12.2	81	91.7	0.86	29.8	165	200	6308-ZZ	6308-ZZ	268
	1186	PEXP256T-10-6	256T	1.15	F	B	H	27.6-25/12.5	81	91.0	0.81	44.3	150	200	6309	6309	385
30	3538	PEXP254T-15-2	254T	1.15	F	B	G	36.5-33/16.5	116	91.0	0.86	22.4	130	200	6309	6309	390
	1778	PEXP254T-15-4	254T	1.15	F	B	G	38.7-35/17.5	116	92.4	0.87	44.6	160	200	6309	6309	425
40	1189	PEXP284T-15-6	284T	1.15	F	B	G	50.4-45.6/22.8	116	91.7	0.82	66.3	140	200	6310	6310	529
	3531	PEXP256T-20-2	256T	1.15	F	B	G	50.4-45.6/22.8	145	91.0	0.88	29.9	130	200	6309	6309	396
50	1777	PEXP256T-20-4	256T	1.15	F	B	G	50.9-46/23	145	93.0	0.87	59.5	150	200	6309	6309	423
	1179	PEXP286T-20-6	286T	1.15	F	B	G	52-47/23.5	145	91.7	0.81	89.1	135	200	6310	6310	558
60	3560	PEXP284TS-25-2	284TS	1.15	F	B	G	60.8-55/27.5	182.5	91.7	0.88	63.9	130	200	6310	6310	526
	1778	PEXP284T-25-4	284T	1.15	F	B	G	60.8-55/27.5	182.5	93.6	0.85	74.3	150	200	6310	6310	575
75	1187	PEXP324T-25-6	324T	1.15	F	B	G	64.1-58/29	182.5	93.0	0.83	110.6	135	200	6312	6312	685
	3560	PEXP286TS-30-2	286TS	1.15	F	B	G	71.9-65/32.5	217.5	91.7	0.89	53.3	130	200	6310	6310	540
100	1777	PEXP286T-30-4	286T	1.15	F	B	G	71.9-65/32.5	217.5	93.6	0.87	88.7	150	200	6310	6310	586
	1187	PEXP326T-30-6	326T	1.15	F	B	G	76.3-69/34.5	217.5	93.0	0.83	132.7	135	200	6312	6312	727
125	3571	PEXP324TS-40-2	324TS	1.15	F	B	G	98.4-89/44.5	290	92.4	0.88	59.2	125	200	6312	6312	707
	1783	PEXP324T-40-4	324T	1.15	F	B	G	98.4-89/44.5	290	94.1	0.85	117.8	140	200	6312	6312	764
150	1188	PEXP364T-40-6	364T	1.15	F	B	G	101.7-92/46	290	94.1	0.83	176.8	135	200	6314	6314	967
	3573	PEXP326TS-50-2	326TS	1.15	F	B	G	119.4-108/54	362.5	93.0	0.88	73.9	120	200	6312	6312	771
200	1783	PEXP326T-50-4	326T	1.15	F	B	G	121.6-110/55	362.5	94.5	0.85	148.1	140	200	6312	6312	784
	1188	PEXP365T-50-6	365T	1.15	F	B	G	125-113/56.5	362.5	94.1	0.83	221	135	200	6314	6314	1003
250	3573	PEXP364TS-60-2	364TS	1.15	F	B	G	144.9-131/65.5	435	93.6	0.88	88.7	120	200	6313	6313	978
	1786	PEXP364T-60-4	364T	1.15	F	B	G	147.1-133/66.5	435	95.0	0.85	176	140	200	6314	6314	1036
300	1192	PEXP404T-60-6	404T	1.15	F	B	G	152.6-138/69	435	94.5	0.83	264	135	200	6316	6314	1311
	3573	PEXP365TS-75-2	365TS	1.15	F	B	G	186.9-169/84.5	542.5	93.6	0.88	110.9	105	200	6313	6313	983
400	1786	PEXP365T-75-4	365T	1.15	F	B	G	191.3-173/86.5	542.5	95.4	0.85	220.6	140	200	6314	6314	1080
	1192	PEXP405T-75-6	405T	1.15	F	B	G	185.8-168/84	542.5	94.5	0.83	330	135	200	6316	6314	1322
500	3579	PEXP405TS-100-2	405TS	1.15	F	B	G	240.6-217.6/108.8	725	94.1	0.89	147.6	105	200	6313	6313	1310
	1790	PEXP405T-100-4	405T	1.15	F	B	G	242.2-219/109.5	725	95.4	0.87	293.4	125	200	6316	6314	1203
600	1190	PEXP444T-100-6	444T	1.15	F	B	G	117	725	95.0	0.84	441.3	125	200	6318/C3	6314/C3	1898
	3586	PEXP444TS-125-2	444TS	1.15	F	B	G	130	907.5	95.0	0.89	184.1	100	200	6314	6314	1884
750	1789	PEXP444T-125-4	444T	1.15	F	B	G	133	907.5	95.4	0.85	367	110	200	6318	6314	2083
	1191	PEXP445T-125-6	445T	1.15	F	B	G	135	907.5	95.0	0.84	551.2	120	200	6318	6314	1995
1000	3585	PEXP445TS-150-2	445TS	1.15	F	B	G	160	1085	95.0	0.87	221	100	200	6314	6314	1906
	1789	PEXP445T-150-4	445T	1.15	F	B	G	162.5	1085	95.8	0.86	440	110	200	6318	6314	2072
1250	1191	PEXP447T-150-6	447T	1.15	F	B	G	166	1085	95.8	0.82	661.5	120	200	NU318	6318	2580
	3584	PEXP447TS-200-2	447TS	1.15	F	B	G	213.5	1450	95.4	0.87	294.8	100	200	6314	6314	2204
1500	1789	PEXP447T-200-4	447T	1.15	F	B	G	217	1450	96.2	0.85	587	100	200	6318	6314	2654
	1191	PEXP449T-200-6	449T	1.15	F	B	G	227.5	1450	95.8	0.82	882	120	200	NU318	6318	2744
2000	3585	PEXP449TS-250-2	449TS	1.15	F	B	G	262	1825	95.8	0.87	368.4	70	175	6314	6314	2504
	1788	PEXP449T-250-4	449T	1.15	F	B	G	268	1825	96.2	0.85	734	80	175	6318	6314	2680



Phases and HP: 3-Phase, 1–200 HP

Inverter rated: (10:1 VT; 5:1 CT)

Enclosure: Totally enclosed explosion proof (TEXP)

Frame: 143TC–449TC



# Explosion Proof

## C-Flange w/Feet — Cast Iron

HP	Full Load RPM	Model Number	Frame	Service Factor	Insulation Class	NEMA Design	NEMA Code	Full Load Amps @ 230V/460V	Locked Rotor Amps @ 460V	Full Load % Efficiency	Full Load Power Factor	FLT Ft-Lb	LRT (%)	BDT (%)	DE Bearing	ODE Bearing	Weight (lbs.)
1	1760	PEXP143TC-1-4	143TC	1.15	F	B	N	3-2.7/1.35	15	85.5	0.79	3	275	300	6205-ZZ	6205-ZZ	92
	1155	PEXP145TC-1-6	145TC	1.15	F	B	N	3.6-3.3/1.65	15	82.5	0.66	4.5	170	265	6205-ZZ	6205-ZZ	85
1.5	3520	PEXP143TC-1.5-2	143TC	1.15	F	B	M	4.1-3.7/1.85	20	84.0	0.85	2.3	175	250	6205-ZZ	6205-ZZ	88
	1760	PEXP145TC-1.5-4	145TC	1.15	F	B	M	4.3-3.9/1.95	20	86.5	0.79	6	250	280	6205-ZZ	6205-ZZ	92
2	1180	PEXP182TC-1.5-6	182TC	1.15	F	B	M	4.6-4.1/2.07	20	87.5	0.71	6.7	165	250	6306-ZZ	6306-ZZ	138
	3520	PEXP145TC-2-2	145TC	1.15	F	B	L	5.5-5/2.5	25	85.5	0.86	3	170	240	6205-ZZ	6205-ZZ	88
3	1745	PEXP145TC-2-4	145TC	1.15	F	B	L	5.8-5.2/2.6	25	86.5	0.8	6	235	270	6205-ZZ	6205-ZZ	90
	1175	PEXP184TC-2-6	184TC	1.15	F	B	L	6.2-5.6/2.8	25	88.5	0.73	8.9	160	240	6306-ZZ	6306-ZZ	149
5	3525	PEXP182TC-3-2	182TC	1.15	F	B	K	7.7-7/3.5	32	86.5	0.87	4.5	160	230	6306-ZZ	6306-ZZ	140
	1766	PEXP182TC-3-4	182TC	1.15	F	B	K	8.4-7.6/3.8	32	89.5	0.77	8.9	215	250	6306-ZZ	6306-ZZ	149
7.5	1175	PEXP213TC-3-6	213TC	1.15	F	B	K	8.7-7.9/3.95	32	89.5	0.71	13.3	155	230	6308-ZZ	6308-ZZ	251
	3525	PEXP184TC-5-2	184TC	1.15	F	B	J	13.3-12/6	46	88.5	0.85	7.4	150	215	6306-ZZ	6306-ZZ	140
10	1765	PEXP184TC-5-4	184TC	1.15	F	B	J	15.5-14/7	46	89.5	0.81	14.9	185	225	6306-ZZ	6306-ZZ	152
	1172	PEXP215TC-5-6	215TC	1.15	F	B	J	16.6-15/7.5	46	89.5	0.75	22.3	150	215	6308-ZZ	6308-ZZ	259
15	3540	PEXP213TC-7.5-2	213TC	1.15	F	B	H	18.4-16.6/8.3	63.5	89.5	0.86	11.2	140	200	6308-ZZ	6308-ZZ	251
	1770	PEXP213TC-7.5-4	213TC	1.15	F	B	H	19.7-17.8/8.9	63.5	91.7	0.84	22.3	175	215	6308-ZZ	6308-ZZ	268
20	1182	PEXP254TC-7.5-6	254TC	1.15	F	B	H	27.6-25/12.5	63.5	91.0	0.78	33.2	150	205	6309/C3	6309/C3	405
	3530	PEXP215TC-10-2	215TC	1.15	F	B	H	25.4-23/11.5	81	90.2	0.88	14.9	135	200	6308-ZZ	6308-ZZ	255
25	1770	PEXP215TC-10-4	215TC	1.15	F	B	H	27-24.4/12.2	81	91.7	0.86	29.8	165	200	6308-ZZ	6308-ZZ	272
	1180	PEXP256TC-10-6	256TC	1.15	F	B	H	27.6-25/12.5	81	91.0	0.81	44.3	150	200	6309/C3	6309/C3	389
30	3540	PEXP254TC-15-2	254TC	1.15	F	B	G	36.5-33/16.5	116	91.0	0.86	22.4	130	200	6309/C3	6309/C3	394
	1770	PEXP254TC-15-4	254TC	1.15	F	B	G	38.7-35/17.5	116	92.4	0.87	44.6	160	200	6309/C3	6309/C3	429
40	1180	PEXP284TC-15-6	284TC	1.15	F	B	G	50.4-45.6/22.8	116	91.7	0.82	66.3	140	200	6310/C3	6310/C3	540
	3530	PEXP256TC-20-2	256TC	1.15	F	B	G	50.4-45.6/22.8	145	91.0	0.88	29.9	130	200	6309/C3	6309/C3	400
50	1770	PEXP256TC-20-4	256TC	1.15	F	B	G	50.9-46/23	145	93.0	0.87	59.5	150	200	6309/C3	6309/C3	427
	1182	PEXP286TC-20-6	286TC	1.15	F	B	G	52-47/23.5	145	91.7	0.81	89.1	135	200	6310/C3	6310/C3	568
60	3555	PEXP284TSC-25-2	284TSC	1.15	F	B	G	60.8-55/27.5	182.5	91.7	0.88	63.9	130	200	6310/C3	6310/C3	538
	1780	PEXP284TC-25-4	284TC	1.15	F	B	G	60.8-55/27.5	182.5	93.6	0.85	74.3	150	200	6310/C3	6310/C3	584
75	1190	PEXP324TC-25-6	324TC	1.15	F	B	G	64.1-58/29	182.5	93.0	0.83	110.6	135	200	6312/C3	6312/C3	694
	3554	PEXP286TSC-30-2	286TSC	1.15	F	B	G	71.9-65/32.5	217.5	91.7	0.89	53.3	130	200	6310/C3	6310/C3	555
100	1774	PEXP286TC-30-4	286TC	1.15	F	B	G	71.9-65/32.5	217.5	93.6	0.87	88.7	150	200	6310/C3	6310/C3	593
	1185	PEXP326TC-30-6	326TC	1.15	F	B	G	76.3-69/34.5	217.5	93.0	0.83	132.7	135	200	6312/C3	6312/C3	743
125	3565	PEXP324TSC-40-2	324TSC	1.15	F	B	G	98.4-89/44.5	290	92.4	0.88	59.2	125	200	6312/C3	6312/C3	718
	1780	PEXP324TC-40-4	324TC	1.15	F	B	G	98.4-89/44.5	290	94.1	0.85	117.8	140	200	6312/C3	6312/C3	784
150	1190	PEXP364TC-40-6	364TC	1.15	F	B	G	101.7-92/46	290	94.1	0.83	176.8	135	200	6313/C3	6313/C3	981
	3570	PEXP326TSC-50-2	326TSC	1.15	F	B	G	119.4-108/54	362.5	93.0	0.88	73.9	120	200	6312/C3	6312/C3	790
200	1780	PEXP326TC-50-4	326TC	1.15	F	B	G	121.6-110/55	362.5	94.5	0.85	148.1	140	200	6312/C3	6312/C3	800
	1190	PEXP365TC-50-6	365TC	1.15	F	B	G	125-113/56.5	362.5	94.1	0.83	221	135	200	6313/C3	6313/C3	1030
250	3575	PEXP364TSC-60-2	364TSC	1.15	F	B	G	144.9-131/65.5	435	93.6	0.88	88.7	120	200	6313/C3	6313/C3	1008
	1785	PEXP364TC-60-4	364TC	1.15	F	B	G	147.1-133/66.5	435	95.0	0.85	176	140	200	6313/C3	6313/C3	1066
300	1195	PEXP404TC-60-6	404TC	1.15	F	B	G	152.6-138/69	435	94.5	0.83	264	135	200	6316/C3	6313/C3	1320
	3575	PEXP365TSC-75-2	365TSC	1.15	F	B	G	186.9-169/84.5	542.5	93.6	0.88	110.9	105	200	6313/C3	6313/C3	1009
400	1785	PEXP365TC-75-4	365TC	1.15	F	B	G	191.3-173/86.5	542.5	95.4	0.85	220.6	140	200	6313/C3	6313/C3	1100
	1190	PEXP405TC-75-6	405TC	1.15	F	B	G	185.8-168/84	542.5	94.5	0.83	330	135	200	6316/C3	6313/C3	1330
500	3575	PEXP405TSC-100-2	405TSC	1.15	F	B	G	240.6-217.6/108.8	725	94.1	0.89	147.6	105	200	6313/C3	6313/C3	1322
	1785	PEXP405TC-100-4	405TC	1.15	F	B	G	242.2-219/109.5	725	95.4	0.87	293.4	125	200	6316/C3	6313/C3	1213
600	1190	PEXP444TC-100-6	444TC	1.15	F	B	G	117	725	95.0	0.84	441.3	125	200	6318/C3	6314/C3	1905
	3584	PEXP444TSC-125-2	444TSC	1.15	F	B	G	130	907.5	95.0	0.89	184.1	100	200	6314/C3	6314/C3	1894
800	1785	PEXP444TC-125-4	444TC	1.15	F	B	G	133	907.5	95.4	0.85	367	110	200	6318/C3	6314/C3	2092
	1190	PEXP445TC-125-6	445TC	1.15	F	B	G	135	907.5	95.0	0.84	551.2	120	200	6318/C3	6314/C3	2005
1000	3580	PEXP445TSC-150-2	445TSC	1.15	F	B	G	160	1085	95.0	0.87	221	100	200	6314/C3	6314/C3	1929
	1790	PEXP445TC-150-4	445TC	1.15	F	B	G	162.5	1085	95.8	0.86	440	110	200	6318/C3	6314/C3	2083
1200	1189	PEXP447TC-150-6	447TC	1.15	F	B	G	166	1085	95.8	0.82	661.5	120	200	NU318	6318/C3	2590
	3582	PEXP447TSC-200-2	447TSC	1.15	F	B	G	213.5	1450	95.4	0.87	294.8	100	200	6314/C3	6314/C3	2213
1500	1786	PEXP447TC-200-4	447TC	1.15	F	B	G	217	1450	96.2	0.85	587	100	200	6318/C3	6314/C3	2664
	1188	PEXP449TC-200-6	449TC	1.15	F	B	G	227.5	1450	95.8	0.82	882	120	200	NU318	6318/C3	2755
2000	3584	PEXP449TSC-250-2	449TSC	1.15	F	B	G	262	1825	95.8	0.87	368.4	70	175	6314/C3	6314/C3	2513
	1786	PEXP449TC-250-4	449TC	1.15	F	B	G	268	1825	96.2	0.85	734	80	175	6318/C3	6314/C3	2689

GENERAL PURPOSE MOTORS

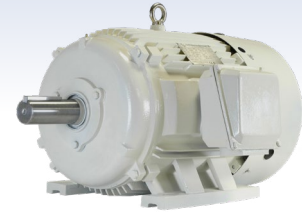
SPECIAL PURPOSE MOTORS

ACCESSORIES

APPENDIX



**Phases and HP:** 3-Phase, 2–150 HP **Inverter duty:** (20:1 VT; 10:1 CT)  
**Enclosure:** Totally enclosed fan cooled (TEFC)  
**Frame:** 184T–449T



# Oil Well Pump

## Cast Iron

GENERAL PURPOSE MOTORS

SPECIAL PURPOSE MOTORS

ACCESSORIES

APPENDIX

HP	Full Load RPM	Model Number	Frame	Service Factor	Insulation Class	NEMA Design	NEMA Code	Full Load Amps @ 230V/460V	Locked Rotor Amps @ 460V	Full Load % Efficiency	Full Load Power Factor	FLT Ft-Lb	LRT (%)	BDT (%)	DE Bearing	ODE Bearing	Weight (lbs.)
2	1135	OWP184T-2-6	184T	1.15	F	D	K	7/3.5/2	25	78.5	0.69	9.4	350	400	6306-ZZ	6306-ZZ	87
	850	OWP184T-2-8	184T	1.15	F	D	L	8.4/4.2/2.4	25	75.0	0.6	12.6	275	290	6306-ZZ	6306-ZZ	83
3	1130	OWP213T-3-6	213T	1.15	F	D	K	10.0/5.0/2.9	32	79.0	0.74	14	330	340	6308-ZZ	6308-ZZ	130
	845	OWP215T-3-8	215T	1.15	F	D	K	10/5/2.9	32	80.0	0.68	19	280	290	6308-ZZ	6308-ZZ	123
5	1130	OWP215T-5-6	215T	1.15	F	D	J	15.0/7.5/4.3	46	83.5	0.75	23.3	285	315	6308-ZZ	6308-ZZ	156
	855	OWP254T-5-8	254T	1.15	F	D	J	18/9/5.2	46	81.5	0.65	31.5	290	300	6309	6309	191
7.5	1125	OWP254T-7.5-6	254T	1.15	F	D	H	21.6/10.8/6.2	63	84.5	0.78	34.9	280	295	6309	6309	220
	850	OWP256T-7.5-8	256T	1.15	F	D	H	25/12.5/7.2	63	82.5	0.68	47	295	300	6309	6309	235
10	1130	OWP256T-10-6	256T	1.15	F	D	H	28.8/14.4/8.3	81	85.0	0.77	46.5	300	330	6309	6309	249
	850	OWP284T-10-8	284T	1.15	F	D	H	33/16.5/9.5	81	84.0	0.68	62	275	285	6311	6311	283
15	1125	OWP284T-15-6	284T	1.15	F	D	G	40.0/20.0/11.6	116	85.5	0.83	69.8	280	310	6311	6311	341
	855	OWP286T-15-8	286T	1.15	F	D	G	47/23.5/13.5	116	85.5	0.69	92	290	300	6311	6311	337
20	1130	OWP286T-20-6	286T	1.15	F	D	G	53.0/26.5/15.3	145	86.0	0.83	93	285	310	6311	6311	403
	855	OWP324T-20-8	324T	1.15	F	D	G	62/31/18	145	87.5	0.7	123.5	290	310	6312	6312	451
25	1120	OWP324T-25-6	324T	1.15	F	D	G	64.4/32.2/18.6	182	86.0	0.85	117.3	300	310	6312	6312	510
	850	OWP326T-25-8	326T	1.15	F	D	G	75/37.5/21.5	182	87.5	0.71	155	290	310	6312	6312	493
30	1130	OWP326T-30-6	326T	1.15	F	D	G	77.0/38.5/22.2	217	86.5	0.85	139.5	300	330	6312	6312	572
	855	OWP364T-30-8	364T	1.15	F	D	G	90/45/26	217	87.5	0.71	184	280	290	6313	6313	629
40	1135	OWP365T-40-6	365T	1.15	F	D	G	98.0/49.0/28.3	290	87.5	0.88	185.2	275	290	6313	6313	733
	855	OWP365T-40-8	365T	1.15	F	D	G	116/58/33.5	290	87.5	0.73	246	275	285	6313	6313	710
50	1140	OWP404T-50-6	404T	1.15	F	D	G	122/61.0/35.3	362	87.5	0.88	230.5	275	300	NU315	6314	911
	855	OWP404T-50-8	404T	1.15	F	D	G	134/67/39	362	88.5	0.78	308	275	285	NU315	6314	895
60	1135	OWP405T-60-6	405T	1.15	F	D	G	148/74.0/42.8	435	88.0	0.87	277.8	275	300	NU315	6314	1001
	855	OWP405T-60-8	405T	1.15	F	D	G	160/80/46	435	89.5	0.78	370	275	285	NU315	6314	1025
75	1140	OWP444T-75-6	444T	1.15	F	D	G	178/89.0/51.4	542	90.0	0.88	345.7	280	310	NU318	6317	1258
	855	OWP444T-75-8	444T	1.15	F	D	G	191/95.5/55	542	91.7	0.8	460	275	290	NU318	6317	1328
100	1140	OWP445T-100-6	445T	1.15	F	D	G	234/117/67.6	725	90.5	0.88	460	275	300	NU318	6317	1390
	855	OWP445T-100-8	445T	1.15	F	D	G	250/125/72	725	91.7	0.82	614	275	285	NU318	6317	1614
125	1140	OWP447T-125-6	447T	1.15	F	D	G	147/84.9	907	92.5	0.88	575	275	300	NU319	6318	1850
150	1140	OWP449T-150-6	449T	1.15	F	D	G	180/104	1085	93.2	0.88	690	275	300	NU319	6318	1980

Phases and HP: 3-Phase, 7.5–100 HP

Inverter duty: (20:1 VT; 10:1 CT)

Enclosure: Open Drip Proof (ODP)

Frame: 254T–444T



# Oil Well Pump

## Cast Iron

HP	Full Load RPM	Model Number	Frame	Service Factor	Insulation Class	NEMA Design	NEMA Code	Full Load Amps @ 230V/460V	Locked Rotor Amps @ 460V	Full Load % Efficiency	Full Load Power Factor	FLT Ft-Lb	LRT (%)	BDT (%)	DE Bearing	ODE Bearing	Weight (lbs.)
7.5	1130	OWP254T-7.5-6-ODP	254T	1.15	F	D	H	29.0/14.5/8.4	63	78.5	0.64	34.7	275	300	6309	6309	217
10	1140	OWP256T-10-6-ODP	256T	1.15	F	D	H	36.0/18.0/10.4	81	81.5	0.65	46	280	320	6309	6309	238
15	1120	OWP284T-15-6-ODP	284T	1.15	F	D	G	44.0/22.0/12.7	116	82.5	0.8	70	280	315	6311	6311	341
20	1130	OWP286T-20-6-ODP	286T	1.15	F	D	G	56.0/28.0/16.2	145	85.5	0.8	93	285	310	6311	6311	370
25	1125	OWP324T-25-6-ODP	324T	1.15	F	D	G	68.0/34.0/19.6	182	86.5	0.8	116.8	295	310	6312	6312	466
30	1135	OWP326T-30-6-ODP	326T	1.15	F	D	G	82.0/41.0/23.7	217	86.5	0.79	139	310	330	6312	6312	488
40	1140	OWP365T-40-6-ODP	365T	1.15	F	D	G	112/56.0/32.4	290	87.5	0.76	184.4	275	290	6313	6313	660
50	1140	OWP404T-50-6-ODP	404T	1.15	F	D	G	128/64.0/37.0	362	88.5	0.83	231.5	275	300	NU318	6314	878
60	1140	OWP405T-60-6-ODP	405T	1.15	F	D	G	152/76.0/43.9	435	88.5	0.84	277	275	300	NU318	6314	911
75	1140	OWP405T-75-6-ODP	405T	1.15	F	D	G	183/91.5/52.9	542	89.5	0.85	345.7	300	320	NU318	6314	963
100	1135	OWP444T-100-6-ODP	444T	1.15	F	D	G	248/124/71.7	725	90.2	0.85	462	275	300	NU319	6318	1576

GENERAL PURPOSE MOTORS

SPECIAL PURPOSE MOTORS

ACCESSORIES

APPENDIX



Phases and HP: 3-Phase, 10–500 HP  
 Enclosure: Open weather-protected  
 Machine Type 1–WP1

Frame: 215TP–5008P  
 Inverter rated: (10:1 VT)  
 High/ Extra High Thrust



# VHS-V1 Series

## Cast Iron/Plate Steel

GENERAL PURPOSE MOTORS

SPECIAL PURPOSE MOTORS

ACCESSORIES

APPENDIX

HP	Full Load RPM	Model Number	Frame	Service Factor	Insulation Class	NEMA Design	NEMA Code	Full Load Amps @ 230V/460V	Locked Rotor Amps @ 460V	Full Load % Efficiency	Full Load Power Factor	FLT Ft-Lb	LRT (%)	BDT (%)	DE Bearing	ODE Bearing	Weight (lbs.)	PWS 230V	PWS 460V	Enclosure Type	Down Thrust
10	1780	V1-100D4-W21510A	215TP	1.15	F	B	H	24.4/12.2	85	91.7	0.84	29	220	250	7310B	6210	366	X		WP1	2500
15	1783	V1-15D4-W25410A	254TP	1.15	F	B	H	34.6/17.3	133	93.0	0.86	43	226	260	7312B	6212	493	X		WP1	3200
20	1780	V1-20D4-W25610A	256TP	1.15	F	B	H	47/23.5	174	93.0	0.86	58	235	265	7312B	6212	510	X		WP1	3200
25	1780	V1-25D4-W28410A	284TP	1.15	F	B	H	57.6/28.8	222	93.6	0.86	73	238	270	7312B	6212	554	X		WP1	3200
		V1-25D4-W28410B	284TP	1.15	F	B	H	57.6/28.8	222	93.6	0.86	73	238	270	7312B	6212	554	X		WP1	3200
30	1780	V1-30D4-W28610A	286TP	1.15	F	B	H	68.2/34.1	246	94.1	0.86	88	236	275	7312B	6212	572	X		WP1	3200
		V1-30D4-W28610B	286TP	1.15	F	B	H	68.2/34.1	246	94.1	0.86	88	236	275	7312B	6212	572	X		WP1	3200
		V1-30D4-W28616B	286TP	1.15	F	B	H	68.2/34.1	246	94.1	0.86	88	236	275	7312B	6212	572	X		WP1	3200
40	1784	V1-40D4-W32416A	324TP	1.15	F	B	H	92/46	333	94.1	0.87	117	211	250	6213	7221B	780	X		WP1	5500
		V1-40D4-W32416B	324TP	1.15	F	B	H	92/46	333	94.1	0.87	117	211	250	6213	7221B	780	X		WP1	5500
		V1-40S4-W32416A	324TP	1.15	F	B	H	46	333	94.1	0.87	117	211	250	6213	7221B	780		X	WP1	5500
		V1-40S4-W32416B	324TP	1.15	F	B	H	46	333	94.1	0.87	116	211	250	6213	7221B	780		X	WP1	5500
50	1785	V1-50D4-W32616A	326TP	1.15	F	B	H	112.8/56.4	445	94.5	0.87	146	235	270	6213	7221B	811	X		WP1	5500
		V1-50D4-W32616B	326TP	1.15	F	B	H	112.8/56.4	445	94.5	0.87	146	235	270	6213	7221B	811	X		WP1	5500
		V1-50S4-W32616A	326TP	1.15	F	B	H	56.4	445	94.5	0.87	146	235	270	6213	7221B	811		X	WP1	5500
		V1-50S4-W32616B	326TP	1.15	F	B	H	56.4	445	94.5	0.87	146	235	270	6213	7221B	811		X	WP1	5500
60	1785	V1-60D4-W36416A	364TP	1.15	F	B	H	136.6/68.3	530	95.0	0.87	175	230	265	6314	7224B	1024	X		WP1	5600
		V1-60D4-W36416B	364TP	1.15	F	B	H	136.6/68.3	530	95.0	0.87	175	230	265	6314	7224B	1024	X		WP1	5600
		V1-60S4-W36416A	364TP	1.15	F	B	H	68.3	530	95.0	0.87	175	230	265	6314	7224B	1024		X	WP1	5600
		V1-60S4-W36416B	364TP	1.15	F	B	H	68.3	530	95.0	0.87	175	230	265	6314	7224B	1024		X	WP1	5600
75	1785	V1-75D4-W36516A	365TP	1.15	F	B	H	170/85	665	95.0	0.87	219	235	270	6314	7224B	1053	X		WP1	5600
		V1-75D4-W36516B	365TP	1.15	F	B	H	170/85	665	95.0	0.87	219	235	270	6314	7224B	1053	X		WP1	5600
		V1-75S4-W36516A	365TP	1.15	F	B	H	85	665	95.0	0.87	219	235	270	6314	7224B	1053		X	WP1	5600
		V1-75S4-W36516B	365TP	1.15	F	B	H	85	665	95.0	0.87	219	235	270	6314	7224B	1053		X	WP1	5600
		V1-100D4-W40416A	404TP	1.15	F	B	H	224/112	812	95.4	0.88	289	238	255	6317	7230B	1473	X		WP1	6700
100	1790	V1-100D4-W40416B	404TP	1.15	F	B	H	224/112	812	95.4	0.88	289	238	255	6317	7230B	1473	X		WP1	6700
		V1-100S4-W40416A-EHT	404TP	1.15	F	B	H	112	812	95.4	0.88	289	238	255	6317	7230B/DT	1473		X	WP1	13400
		V1-100S4-W40416A	404TP	1.15	F	B	H	112	812	95.4	0.88	289	238	255	6317	7230B	1473		X	WP1	6700
125	1788	V1-125S4-W40516A-EHT	405TP	1.15	F	B	H	139	1015	95.4	0.88	362	242	255	6317	7230B/DT	1513		X	WP1	13400
150	1788	V1-150S4-W44416A-EHT	444TP	1.15	F	B	H	165	1188	95.8	0.88	438	196	220	6318	7232B/DT	1984		X	WP1	14400
200	1788	V1-200S4-W44516A-EHT-14	445TP	1.15	F	B	G	221	1462	95.8	0.88	584	166	220	6318	7232B/DT	2099		X	WP1	14400
		V1-200S4-W44516A-EHT-19	445TP	1.15	F	B	G	221	1462	95.8	0.88	584	166	220	6318	7232B/DT	2099		X	WP1	19000
250	1788	V1-250S4-W44516A-EHT-14	445TP	1.15	F	B	G	276	1849	95.8	0.88	730	168	220	6318	7232B/DT	2206		X	WP1	14400
		V1-250S4-W44516A-EHT-19	445TP	1.15	F	B	G	276	1849	95.8	0.88	730	168	220	6318	7232B/DT	2206		X	WP1	19000
400	1780	V1-400S4-W500824A-EHT	5008P	1.15	F	B	G	437	2840	95.8	0.9	1168	164	220	6322	7236B/DT	3955		X	WP1	24000



**Phases and HP:** 3-Phase, 10–500 HP  
**Enclosure:** Open weather-protected  
**Machine Type 1–WP1**

**Frame:** 215TP–5008P  
**Inverter duty:** (20:1 VT)  
**High/ Extra High Thrust**



# VHS-V2Series

## Cast Iron/Plate Steel

HP	Full Load RPM	Model Number	Frame	Service Factor	Insulation Class	NEMA Design	NEMA Code	Full Load Amps @ 230V/460V	Locked Rotor Amps @ 460V	Full Load % Efficiency	Full Load Power Factor	FLT Ft-Lb	LRT (%)	BDT (%)	DE Bearing	ODE Bearing	Weight (lbs.)	PWS 230V	PWS 460V	Enclosure Type	Down Thrust
10	1780	V2-10D4-W21510A	215TP	1.15	F	B	H	24.4/12.2	85	91.7	0.84	29	220	250	7310B	6210	366	X		WP1	2500
15	1783	V2-15D4-W25410A	254TP	1.15	F	B	H	34.6/17.3	133	93.0	0.86	44	226	260	7312B	6212	493	X		WP1	3200
20	1780	V2-20D4-W25610A	256TP	1.15	F	B	H	47/23.5	174	93.0	0.86	58	235	265	7312B	6212	510	X		WP1	3200
25	1780	V2-25D4-W28410A	284TP	1.15	F	B	H	57.6/28.8	222	93.6	0.86	73	238	270	7312B	6212	554	X		WP1	3200
		V2-25D4-W28410B	284TP	1.15	F	B	H	57.6/28.8	222	93.6	0.86	73	238	270	7312B	6212	554	X		WP1	3200
30	1780	V2-30D4-W28610A	286TP	1.15	F	B	H	68.2/34.1	246	94.1	0.86	88	236	275	7312B	6212	572	X		WP1	3200
		V2-30D4-W28610B	286TP	1.15	F	B	H	68.2/34.1	246	94.1	0.86	88	236	275	7312B	6212	572	X		WP1	3200
40	1784	V2-40D4-W32416A	324TP	1.15	F	B	H	92/46	333	94.1	0.87	117	211	250	6213	7221B	780	X		WP1	5500
		V2-40D4-W32416B	324TP	1.15	F	B	H	92/46	333	94.1	0.87	117	211	250	6213	7221B	780	X		WP1	5500
		V2-40S4-W32416A	324TP	1.15	F	B	H	46	333	94.1	0.87	117	211	250	6213	7221B	780		X	WP1	5500
		V2-40S4-W32416B	324TP	1.15	F	B	H	46	333	94.1	0.87	116	211	250	6213	7221B	780		X	WP1	5500
50	1785	V2-50D4-W32616A	326TP	1.15	F	B	H	112.8/56.4	445	94.5	0.87	146	235	270	6213	7221B	811	X		WP1	5500
		V2-50D4-W32616B	326TP	1.15	F	B	H	112.8/56.4	445	94.5	0.87	146	235	270	6213	7221B	811	X		WP1	5500
		V2-50S4-W32616A	326TP	1.15	F	B	H	56.4	445	94.5	0.87	146	235	270	6213	7221B	811		X	WP1	5500
60	1785	V2-60D4-W36416A	364TP	1.15	F	B	H	136.6/68.3	530	95.0	0.87	175	230	265	6314	7224B	1024	X		WP1	5600
		V2-60D4-W36416B	364TP	1.15	F	B	H	136.6/68.3	530	95.0	0.87	175	230	265	6314	7224B	1024	X		WP1	5600
		V2-60S4-W36416A	364TP	1.15	F	B	H	68.3	530	95.0	0.87	175	230	265	6314	7224B	1024		X	WP1	5600
		V2-60S4-W36416B	364TP	1.15	F	B	H	68.3	530	95.0	0.87	175	230	265	6314	7224B	1024		X	WP1	5600
75	1785	V2-75D4-W36516A	365TP	1.15	F	B	H	170/85	665	95.0	0.87	219	235	270	6314	7224B	1053	X		WP1	5600
		V2-75D4-W36516B	365TP	1.15	F	B	H	170/85	665	95.0	0.87	219	235	270	6314	7224B	1053	X		WP1	5600
		V2-75S4-W36516A	365TP	1.15	F	B	H	85	665	95.0	0.87	219	235	270	6314	7224B	1053		X	WP1	5600
		V2-75S4-W36516B	365TP	1.15	F	B	H	85	665	95.0	0.87	219	235	270	6314	7224B	1053		X	WP1	5600
100	1790	V2-100D4-W40416A	404TP	1.15	F	B	H	224/112	812	95.4	0.88	292	238	255	6317	7230B	1473	X		WP1	6700
		V2-100D4-W40416B	404TP	1.15	F	B	H	224/112	812	95.4	0.88	292	238	255	6317	7230B	1473	X		WP1	6700
		V2-100S4-W40416A-EHT	404TP	1.15	F	B	H	112	812	95.4	0.88	292	238	255	6317	7230B/DT	1473		X	WP1	13400
		V2-100S4-W40416A	404TP	1.15	F	B	H	112	812	95.4	0.88	292	238	255	6317	7230B	1473		X	WP1	6700
125	1788	V2-125S4-W40516A-EHT	405TP	1.15	F	B	H	139	1015	95.4	0.88	365	242	255	6317	7230B/DT	1513		X	WP1	13400
150	1788	V2-150S4-W44416A-EHT	444TP	1.15	F	B	H	165	1188	95.8	0.88	438	196	220	6318	7232B/DT	1984		X	WP1	14400
200	1788	V2-200S4-W44516A-EHT-14	445TP	1.15	F	B	G	221	1462	95.8	0.88	584	166	220	6318	7232B/DT	2099		X	WP1	14400
		V2-200S4-W44516A-EHT-19	445TP	1.15	F	B	G	221	1462	95.8	0.88	584	166	220	6318	7232B/DT	2099		X	WP1	19000
250	1788	V2-250S4-W44516A-EHT-14	445TP	1.15	F	B	G	276	1849	95.8	0.88	730	168	220	6318	7232B/DT	2206		X	WP1	14400
		V2-250S4-W44516A-EHT-19	445TP	1.15	F	B	G	276	1849	95.8	0.88	730	168	220	6318	7232B/DT	2206		X	WP1	19000

GENERAL PURPOSE MOTORS

SPECIAL PURPOSE MOTORS

ACCESSORIES

APPENDIX



**Phases and HP:** 3-Phase, 3–60 HP

**Enclosure:** Totally enclosed fan cooled (TEFC)

**Frame:** 182T–364T



# Rotary Phase Converter Motor

## Cast Iron

GENERAL PURPOSE MOTORS

SPECIAL PURPOSE MOTORS

ACCESSORIES

APPENDIX

HP	Full Load RPM	Model Number	Frame	Service Factor	Insulation Class	NEMA Design	NEMA Code	Full Load Amps @ 230V/460V	Locked Rotor Amps @ 460V	Full Load % Efficiency	Full Load Power Factor	FLT Ft-Lb	LRT (%)	BDT (%)	DE Bearing	ODE Bearing	Weight (lbs.)
3	1750	PC182T-3-4	182T	1.15	F	B	K	9.7-8.8/4.4	32	89.5	0.76	8.8	270	350	6306-ZZ/C3	6306-ZZ/C3	83
5	1740	PC184T-5-4	184T	1.15	F	B	J	14.8-13.4/6.7	46	89.5	0.81	14.8	260	310	6306-ZZ/C3	6306-ZZ/C3	88
7.5	1740	PC213T-7.5-4	213T	1.15	F	B	H	21-19/9.5	63	91.7	0.82	22	240	290	6308-ZZ/C3	6308-ZZ/C3	145
10	1740	PC215T-10-4	215T	1.15	F	B	H	27.2-24.6/12.3	81	91.7	0.84	30.2	230	270	6308-ZZ/C3	6308-ZZ/C3	165
15	1750	PC254T-15-4	254T	1.15	F	B	G	40.5-36.6/18.3	116	92.4	0.84	45	210	250	6309/C3	6309/C3	256
20	1750	PC256T-20-4	256T	1.15	F	B	G	53.5-48.4/24.2	145	93.0	0.86	59.8	200	230	6309/C3	6309/C3	283
25	1770	PC284T-25-4	284T	1.15	F	B	G	66.3-60/30	182	93.6	0.87	74.3	200	280	6311/C3	6311/C3	365
30	1770	PC286T-30-4	286T	1.15	F	B	G	78.1-70.6/35.3	217	93.6	0.87	89.1	200	300	6311/C3	6311/C3	378
40	1775	PC324T-40-4	324T	1.15	F	B	G	103.3-93.4/46.7	290	94.1	0.87	119	190	280	6312/C3	6312/C3	485
50	1775	PC326T-50-4	326T	1.15	F	B	G	128.9-116.6/58.3	362	94.5	0.88	148.4	190	270	6312/C3	6312/C3	552
60	1780	PC364T-60-4	364T	1.15	F	B	G	154.8-140/70	435	95.0	0.88	177.6	190	270	6313/C3	6313/C3	828



**Phases and HP:** Single Phase, .33–2 HP

**Enclosure:** Totally enclosed fan cooled (TEFC)

**Frame:** 56C/CH

# General Purpose

## C-Flange w/Feet — Rolled Steel

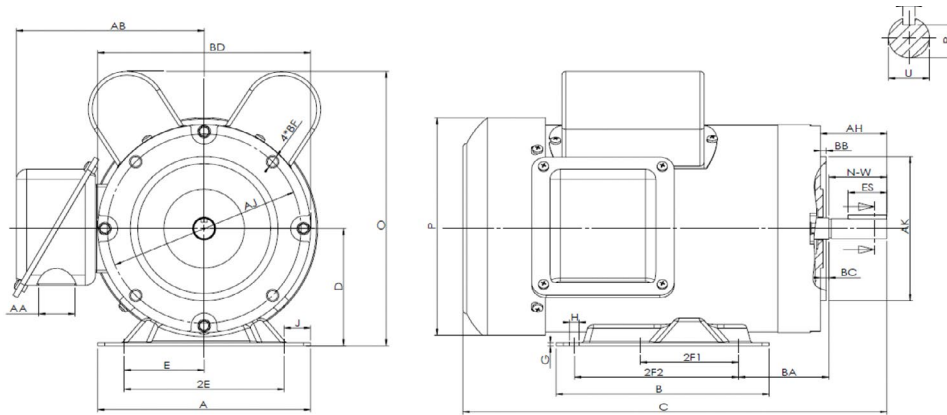


Diagram A

HP	RPM	Model Number	Frame	Motor Dimension								Flange	Shaft			Keyway			AA	Diagram
				C	D	E	2F1	2F2	J	O	P	AJ	N-W	U	R	S	ES			
0.33	3600	F56C1/3S2C	56C	10.7	3.5	2.44	3	0	0.71	8	6.8	5.875	1.88	0.625	0.517	0.188	1.41	1.1	A	
	1800	F56C1/3S4C	56C	10.7	3.5	2.44	3	0	0.71	8	6.8	5.875	1.88	0.625	0.517	0.188	1.41	1.1	A	
0.5	3600	F56C1/2S2C	56C	10.7	3.5	2.44	3	0	0.71	8	6.8	5.875	1.88	0.625	0.517	0.188	1.41	1.1	A	
	1800	F56C1/2S4C	56C	10.7	3.5	2.44	3	0	0.71	8	6.8	5.875	1.88	0.625	0.517	0.188	1.41	1.1	A	
0.75	3600	F56C3/4S2C	56C	10.7	3.5	2.44	3	0	0.71	8	6.8	5.875	1.88	0.625	0.517	0.188	1.41	1.1	A	
	1800	F56C3/4S4C	56C	11.5	3.5	2.44	3	0	0.71	8	6.8	5.875	1.88	0.625	0.517	0.188	1.41	1.1	A	
1	3600	F56C1S2C	56C	11.5	3.5	2.44	3	0	0.71	8	6.8	5.875	1.88	0.625	0.517	0.188	1.41	1.1	A	
	1800	F56C1S4C	56C	11.5	3.5	2.44	3	0	0.71	8	6.8	5.875	1.88	0.625	0.517	0.188	1.41	1.1	A	
1.5	3600	F56C1.5S2C	56C	11.5	3.5	2.44	3	0	0.71	8	6.8	5.875	1.88	0.625	0.517	0.188	1.41	1.1	A	
	1800	F56CH1.5S4C	56CH	12.5	3.5	2.44	3	5	0.81	8	6.8	5.875	1.88	0.625	0.517	0.188	1.41	1.1	A	
2	3600	F56CH2S2C	56CH	12.5	3.5	2.44	3	5	0.81	8	6.8	5.875	1.88	0.625	0.517	0.188	1.41	1.1	A	
	1800	F56CH2S4C	56CH	13.66	3.5	2.44	3	5	0.81	8	6.8	5.875	1.88	0.625	0.517	0.188	1.41	1.1	A	

GENERAL PURPOSE MOTORS

SPECIAL PURPOSE MOTORS

ACCESSORIES

APPENDIX



Phases and HP: 3-Phase, .33-3 HP

Inverter rated: (10:1 VT; 5:1 CT)

Enclosure: Totally enclosed fan cooled (TEFC)

Frame: 56C/CH

GENERAL PURPOSE MOTORS

SPECIAL PURPOSE MOTORS

ACCESSORIES

APPENDIX

# General Purpose

## C-Flange w/Feet — Rolled Steel

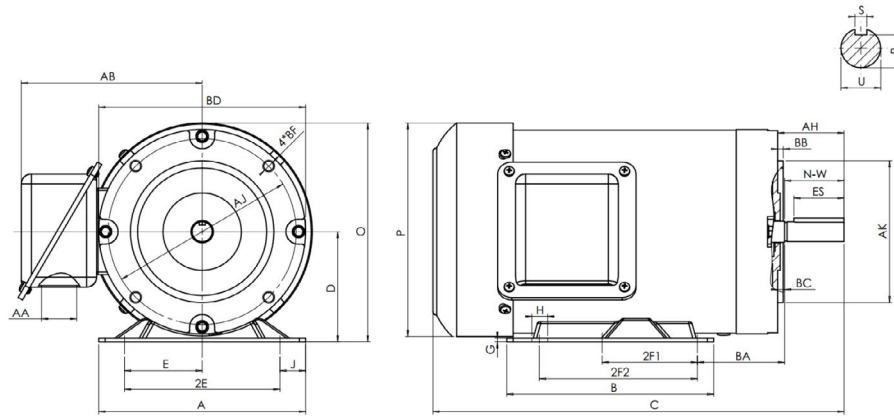


Diagram B

HP	RPM	Model Number	Frame	Motor Dimension									Flange		Shaft			Keyway			AA	Diagram
				C	D	E	2F1	2F2	J	O	P	AJ	N-W	U	R	S	ES					
0.33	3600	F56C1/3M2A	56C	10.7	3.5	2.44	3	0	0.71	7	6.8	5.875	1.88	0.625	0.517	0.188	1.41	1.1	B			
		F56C1/3M2A-575V	56C	10.7	3.5	2.44	3	0	0.71	7	6.8	5.875	1.88	0.625	0.517	0.188	1.41	1.1	B			
	1800	F56C1/3M4A	56C	10.7	3.5	2.44	3	0	0.71	7	6.8	5.875	1.88	0.625	0.517	0.188	1.41	1.1	B			
		F56C1/3M4A-575V	56C	10.7	3.5	2.44	3	0	0.71	7	6.8	5.875	1.88	0.625	0.517	0.188	1.41	1.1	B			
0.5	3600	F56C1/2M2A	56C	10.7	3.5	2.44	3	0	0.71	7	6.8	5.875	1.88	0.625	0.517	0.188	1.41	1.1	B			
		F56C1/2M2A-575V	56C	10.7	3.5	2.44	3	0	0.71	7	6.8	5.875	1.88	0.625	0.517	0.188	1.41	1.1	B			
	1800	F56C1/2M4A	56C	10.7	3.5	2.44	3	0	0.71	7	6.8	5.875	1.88	0.625	0.517	0.188	1.41	1.1	B			
		F56C1/2M4A-575V	56C	10.7	3.5	2.44	3	0	0.71	7	6.8	5.875	1.88	0.625	0.517	0.188	1.41	1.1	B			
0.75	3600	F56C3/4M2A	56C	10.7	3.5	2.44	3	0	0.71	7	6.8	5.875	1.88	0.625	0.517	0.188	1.41	1.1	B			
		F56C3/4M2A-575V	56C	10.7	3.5	2.44	3	0	0.71	7	6.8	5.875	1.88	0.625	0.517	0.188	1.41	1.1	B			
	1800	F56C3/4M4A	56C	10.7	3.5	2.44	3	0	0.71	7	6.8	5.875	1.88	0.625	0.517	0.188	1.41	1.1	B			
		F56C3/4M4A-575V	56C	10.7	3.5	2.44	3	0	0.71	7	6.8	5.875	1.88	0.625	0.517	0.188	1.41	1.1	B			
1	3600	PR56C1M2A	56C	10.7	3.5	2.44	3	0	0.71	7	6.8	5.875	1.88	0.625	0.517	0.188	1.41	1.1	B			
		PR56C1M2A-575V	56C	10.7	3.5	2.44	3	0	0.71	7	6.8	5.875	1.88	0.625	0.517	0.188	1.41	1.1	B			
	1800	PR56C1M4A	56C	10.7	3.5	2.44	3	0	0.71	7	6.8	5.875	1.88	0.625	0.517	0.188	1.41	1.1	B			
		PR56C1M4A-575V	56C	10.7	3.5	2.44	3	0	0.71	7	6.8	5.875	1.88	0.625	0.517	0.188	1.41	1.1	B			
1.5	3600	PR56C1.5M2A	56C	10.7	3.5	2.44	3	0	0.71	7	6.8	5.875	1.88	0.625	0.517	0.188	1.41	1.1	B			
		PR56C1.5M2A-575V	56C	10.7	3.5	2.44	3	0	0.71	7	6.8	5.875	1.88	0.625	0.517	0.188	1.41	1.1	B			
	1800	PR56C1.5M4A	56C	10.7	3.5	2.44	3	0	0.71	7	6.8	5.875	1.88	0.625	0.517	0.188	1.41	1.1	B			
		PR56C1.5M4A-575V	56C	12.5	3.5	2.44	3	0	0.71	7	6.8	5.875	1.88	0.625	0.517	0.188	1.41	1.1	B			
2	3600	PR56C2M2A	56C	10.7	3.5	2.44	3	0	0.71	7	6.8	5.875	1.88	0.625	0.517	0.188	1.41	1.1	B			
		PR56C2M2A-575V	56C	12.5	3.5	2.44	3	0	0.71	7	6.8	5.875	1.88	0.625	0.517	0.188	1.41	1.1	B			
	1800	PR56CH2M4A	56CH	10.7	3.5	2.44	3	5	0.81	7	6.8	5.875	1.88	0.625	0.517	0.188	1.41	1.1	B			
		PR56CH2M4A-575V	56CH	13.7	3.5	2.44	3	5	0.81	7	6.8	5.875	1.88	0.625	0.517	0.188	1.41	1.1	B			
3	3600	PR56CH3M2A	56CH	10.7	3.5	2.44	3	5	0.81	7	6.8	5.875	1.88	0.625	0.517	0.188	1.41	1.1	B			
		PR56CH3M2A-575V	56CH	13.7	3.5	2.44	3	5	0.81	7	6.8	5.875	1.88	0.625	0.517	0.188	1.41	1.1	B			



Phases and HP: 3-Phase, 1–10 HP

Inverter rated: (10:1 VT; 5:1 CT)

Enclosure: Totally enclosed fan cooled (TEFC)

Frame: 143T–215T

# General Purpose Rolled Steel

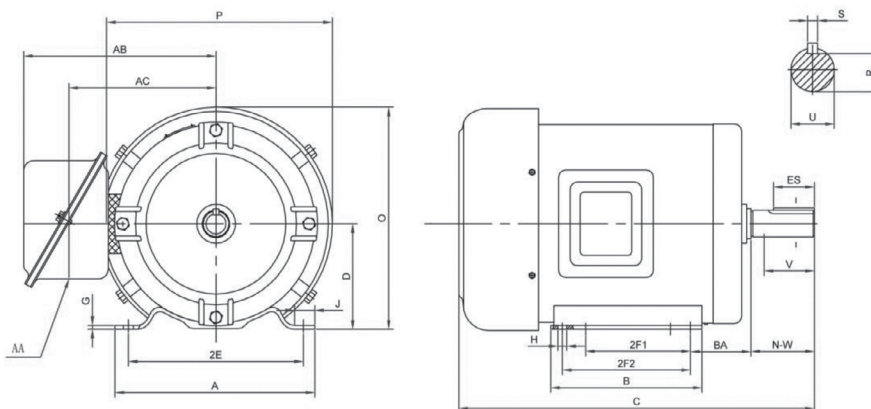


Diagram C

HP	RPM	Model Number	Frame	Motor Dimension								Flange	Shaft			Keyway			AA	Diagram
				C	D	E	2F1	2F2	J	O	P		AJ	N-W	U	R	S	ES		
1	1800	PR143T1M4A	143T	12.69	3.5	2.75	4	5	1.18	7	6.97	0	2.25	0.875	0.771	0.188	1.38	1.1	C	
	3600	PR143T1.5M2A	143T	12.69	3.5	2.75	4	5	1.18	7	6.97	0	2.25	0.875	0.771	0.188	1.38	1.1	C	
1.5	1800	PR145T1.5M4A	145T	12.69	3.5	2.75	4	5	1.18	7	6.97	0	2.25	0.875	0.771	0.188	1.38	1.1	C	
	3600	PR145T2M2A	145T	12.69	3.5	2.75	4	5	1.18	7	6.97	0	2.25	0.875	0.771	0.188	1.38	1.1	C	
2	1800	PR145T2M4A	145T	12.6	3.5	2.75	4	5	1.18	7	6.97	0	2.25	0.875	0.771	0.188	1.38	1.1	C	
	3600	PR182T3M2A	182T	15.5	4.5	3.75	4.5	5.5	0.95	9.05	10.1	0	2.75	1.125	0.986	0.25	1.75	1.1	C	
3	1800	PR182T3M4A	182T	15.5	4.5	3.75	4.5	5.5	0.95	9.05	10.1	0	2.75	1.125	0.986	0.25	1.75	1.1	C	
	3600	PR184T5M2A	184T	15.5	4.5	3.75	4.5	5.5	0.95	9.05	10.1	0	2.75	1.125	0.986	0.25	1.75	1.1	C	
5	1800	PR184T5M4A	184T	15.5	4.5	3.75	4.5	5.5	0.95	9.05	10.1	0	2.75	1.125	0.986	0.25	1.75	1.1	C	
	3600	PR213T7.5M2A	213T	19	5.25	4.25	5.5	7	1.61	10.6	11.6	0	3.38	1.375	1.201	0.312	2.38	1.38	C	
7.5	1800	PR213T7.5M4A	213T	19	5.25	4.25	5.5	7	1.61	10.6	11.6	0	3.38	1.375	1.201	0.312	2.38	1.38	C	
	3600	PR215T10M2A	215T	19	5.25	4.25	5.5	7	1.61	10.6	11.6	0	3.38	1.375	1.201	0.312	2.38	1.38	C	
10	1800	PR215T10M4A	215T	19	5.25	4.25	5.5	7	1.61	10.6	11.6	0	3.38	1.375	1.201	0.312	2.38	1.38	C	

**Phases and HP:** Single Phase, .33–10 HP  
**Enclosure:** Totally enclosed fan cooled (TEFC)  
**Frame:** 56C–215T

# General Purpose

## Farm Duty — Rolled Steel

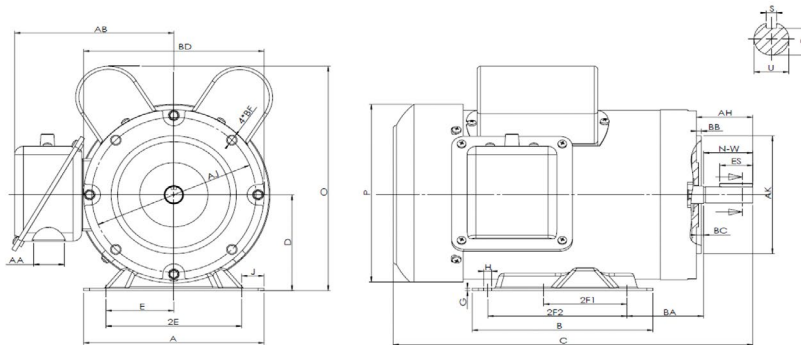


Diagram D

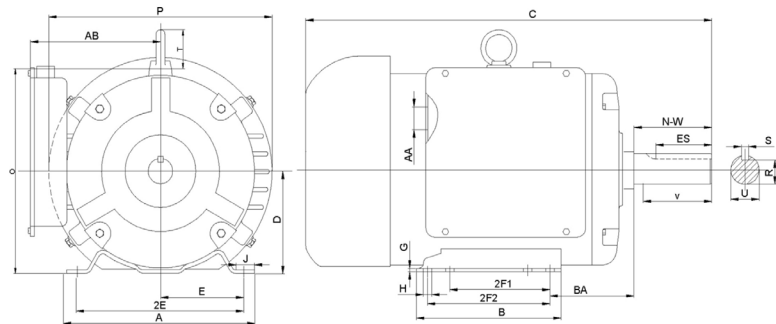


Diagram E

HP	RPM	Model Number	Frame	Motor Dimension								Flange	Shaft			Keyway			AA	Diagram
				C	D	E	2F1	2F2	J	O	P		AJ	N-W	U	R	S	ES		
0.33	1800	F56C1/3S4C-MO	56C	10.7	3.5	2.44	3	0	0.71	8	6.8	5.875	1.88	0.625	0.517	0.188	1.41	1.1	D	
0.5	1800	F56C1/2S4C-MO	56C	10.7	3.5	2.44	3	0	0.71	8	6.8	5.875	1.88	0.625	0.517	0.188	1.41	1.1	D	
0.75	1800	F56C3/4S4C-MO	56C	11.5	3.5	2.44	3	0	0.71	8	6.8	5.875	1.88	0.625	0.517	0.188	1.41	1.1	D	
1	1800	F56C1S4C-MO	56C	11.5	3.5	2.44	3	0	0.71	8	6.8	5.875	1.88	0.625	0.517	0.188	1.41	1.1	D	
		F143T1S4C-MO	143T	13.35	3.5	2.75	4	5	1.18	8.5	7	0	2.25	0.875	0.771	0.188	1.41	0.81	D	
1.5	1800	F56CH1.5S4C-MO	56CH	12.5	3.5	2.44	3	5	0.81	8	6.8	5.875	1.88	0.625	0.517	0.188	1.41	1.1	D	
		F145T1.5S4C-MO	145T	13.35	3.5	2.75	4	5	1.18	8.5	7	0	2.25	0.875	0.771	0.188	1.41	0.81	D	
2	1800	F56CH2S4C-MO	56CH	13.7	3.5	2.44	3	5	0.81	8	6.8	5.875	1.88	0.625	0.517	0.188	1.41	1.1	D	
		F145T2S4C-MO	145T	14.19	3.5	2.75	4	5	1.18	8.5	7	0	2.25	0.875	0.771	0.188	1.41	0.81	D	
3	1800	F182T3S4C-MO	182T	16.8	4.5	3.75	4.5	5.5	0.95	9.1	10.1	0	2.75	1.125	0.986	0.25	1.78	1.1	E	
5	3600	F184T5S2C-MO	184T	16.8	4.5	3.75	4.5	5.5	0.95	9.1	10.1	0	2.75	1.125	0.986	0.25	1.78	1.1	E	
	1800	F184T5S4C-MO	184T	17.9	4.5	3.75	4.5	5.5	0.95	9.1	10.1	0	2.75	1.125	0.986	0.25	1.78	1.1	E	
7.5	1800	F213T7.5S4C	213T	20.25	5.25	4.25	5.5	7	1.61	10.6	11.6	0	3.38	1.375	1.201	0.312	2.41	1.1	E	
10	1800	F215T10S4C	215T	20.3	5.25	4.25	5.5	7	1.61	10.6	11.6	0	3.38	1.375	1.201	0.312	2.41	1.1	E	



Phases and HP: 3-Phase, 1–10 HP

Inverter duty: (20:1 VT; 10:1 CT)

Enclosure: Totally enclosed fan cooled (TEFC)

Frame: 143T–215T

# General Purpose Aluminum

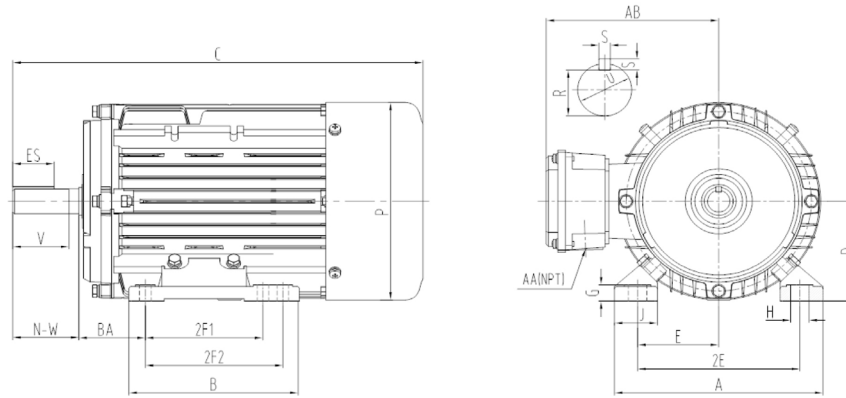


Diagram H

HP	RPM	Model Number	Frame	Motor Dimension								Flange		Shaft			Keyway			AA	Diagram
				C	D	E	2F1	2F2	J	O	P	AJ	N-W	U	R	S	ES				
1	1800	APE143T-1-4	143T	13.9	3.5	2.75	4	0	1.46	0	5.9	0	2.25	0.875	0.771	0.188	1.41	0.75	H		
	3600	APE143T-1.5-2	143T	13.9	3.5	2.75	4	0	1.46	0	5.9	0	2.25	0.875	0.771	0.188	1.41	0.75	H		
1.5	1800	APE145T-1.5-4	145T	15.1	3.5	2.75	4.9	0	1.46	0	5.9	0	2.25	0.875	0.771	0.188	1.41	0.75	H		
	3600	APE145T-2-2	145T	15.1	3.5	2.75	4.9	0	1.46	0	5.9	0	2.25	0.875	0.771	0.188	1.41	0.75	H		
2	1800	APE145T-2-4	145T	15.1	3.5	2.75	4.9	0	1.46	0	5.9	0	2.25	0.875	0.771	0.188	1.41	0.75	H		
	3600	APE182T-3-2	182T	15.6	4.5	3.75	4.5	5.5	1.81	7.9	9.2	0	2.75	1.125	0.986	0.25	1.78	0.75	H		
3	1800	APE182T-3-4	182T	15.6	4.5	3.75	4.5	5.5	1.81	7.9	9.2	0	2.75	1.125	0.986	0.25	1.78	0.75	H		
	3600	APE184T-5-2	184T	16.6	4.5	3.75	4.5	5.5	1.81	7.9	9.2	0	2.75	1.125	0.986	0.25	1.78	0.75	H		
5	1800	APE184T-5-4	184T	16.6	4.5	3.75	4.5	5.5	1.81	7.9	9.2	0	2.75	1.125	0.986	0.25	1.78	0.75	H		
	3600	APE213T-7.5-2	213T	18.2	5.25	4.25	5.5	0	1.55	8.8	10.2	0	3.38	1.375	1.201	0.312	2.41	0.75	H		
7.5	1800	APE213T-7.5-4	213T	18.2	5.25	4.25	5.5	0	1.55	8.8	10.2	0	3.38	1.375	1.201	0.312	2.41	0.75	H		
	3600	APE215T-10-2	215T	19.6	5.25	4.25	5.5	7	1.55	8.8	10.2	0	3.38	1.375	1.201	0.312	2.41	0.75	H		
10	1800	APE215T-10-4	215T	19.6	5.25	4.25	5.5	7	1.55	8.8	10.2	0	3.38	1.375	1.201	0.312	2.41	0.75	H		

GENERAL PURPOSE MOTORS

SPECIAL PURPOSE MOTORS

ACCESSORIES

APPENDIX



Phases and HP: 3-Phase, 1–600 HP

Enclosure: Totally enclosed fan cooled (TEFC)

Frame: 143T–586/7UZ

Inverter duty: 1–300 HP

(20:1 VT; 10:1 CT)

Inverter rated: 350–600 HP

(10:1 VT; 5:1 CT)

# General Purpose

## Heavy Duty Cast Iron

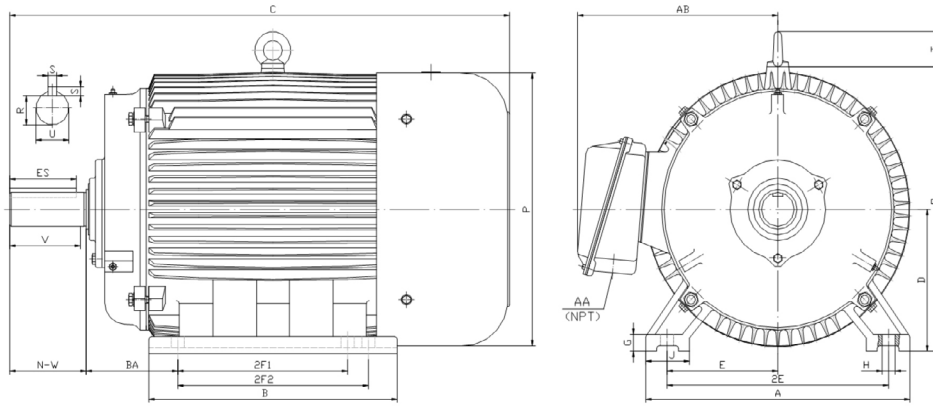


Diagram I

HP	RPM	Model Number	Frame	Motor Dimension								Flange		Shaft			Keyway			AA	Diagram
				C	D	E	2F1	2F2	J	O	P	AJ	N-W	U	R	S	ES				
1	1800	PE143T-1-4	143T	13.6	3.5	2.75	4	5	1.4	7.1	7	0	2.25	0.875	0.771	0.188	1.41	0.75	I		
		PE143T-1-4-575V	143T	13.6	3.5	2.75	4	5	1.4	7.1	7	0	2.25	0.875	0.771	0.188	1.41	0.75	I		
	1200	PE145T-1-6	145T	14.6	3.5	2.75	4	5	1.4	7.1	7	0	2.25	0.875	0.771	0.188	1.41	0.75	I		
		PE145T-1-6-575V	145T	14.6	3.5	2.75	4	5	1.4	7.1	7	0	2.25	0.875	0.771	0.188	1.41	0.75	I		
1.5	3600	PE143T-1.5-2	143T	13.6	3.5	2.75	4	5	1.4	7.1	7	0	2.25	0.875	0.771	0.188	1.41	0.75	I		
		PE143T-1.5-2-575V	143T	13.6	3.5	2.75	4	5	1.4	7.1	7	0	2.25	0.875	0.771	0.188	1.41	0.75	I		
	1800	PE145T-1.5-4	145T	14.6	3.5	2.75	4	5	1.4	7.1	7	0	2.25	0.875	0.771	0.188	1.41	0.75	I		
		PE145T-1.5-4-575V	145T	14.6	3.5	2.75	4	5	1.4	7.1	7	0	2.25	0.875	0.771	0.188	1.41	0.75	I		
	1200	PE182T-1.5-6	182T	16.1	4.5	3.75	4.5	5.5	2	9.1	8.7	0	2.75	1.125	0.986	0.25	1.78	0.75	I		
		PE182T-1.5-6-575V	182T	16.1	4.5	3.75	4.5	5.5	2	9.1	8.7	0	2.75	1.125	0.986	0.25	1.78	0.75	I		
2	3600	PE145T-2-2	145T	14.6	3.5	2.75	4	5	1.4	7.1	7	0	2.25	0.875	0.771	0.188	1.41	0.75	I		
		PE145T-2-2-575V	145T	14.6	3.5	2.75	4	5	1.4	7.1	7	0	2.25	0.875	0.771	0.188	1.41	0.75	I		
	1800	PE145T-2-4	145T	14.6	3.5	2.75	4	5	1.4	7.1	7	0	2.25	0.875	0.771	0.188	1.41	0.75	I		
		PE145T-2-4-575V	145T	14.6	3.5	2.75	4	5	1.4	7.1	7	0	2.25	0.875	0.771	0.188	1.41	0.75	I		
1200	PE184T-2-6	184T	17.1	4.5	3.75	4.5	5.5	2	9.1	8.7	0	2.75	1.125	0.986	0.25	1.78	0.75	I			
	PE184T-2-6-575V	184T	17.1	4.5	3.75	4.5	5.5	2	9.1	8.7	0	2.75	1.125	0.986	0.25	1.78	0.75	I			
3	3600	PE145T-3-2	145T	14.6	3.5	2.75	4	5	1.4	7.1	7	0	2.25	0.875	0.771	0.188	1.41	0.75	I		
		PE182T-3-2	182T	16.1	4.5	3.75	4.5	5.5	2	9.1	8.7	0	2.75	1.125	0.986	0.25	1.78	0.75	I		
	1800	PE182T-3-2	182T	16.1	4.5	3.75	4.5	5.5	2	9.1	8.7	0	2.75	1.125	0.986	0.25	1.78	0.75	I		
		PE182T-3-2-575V	182T	16.1	4.5	3.75	4.5	5.5	2	9.1	8.7	0	2.75	1.125	0.986	0.25	1.78	0.75	I		
	1200	PE182T-3-4	182T	16.1	4.5	3.75	4.5	5.5	2	9.1	8.7	0	2.75	1.125	0.986	0.25	1.78	0.75	I		
		PE182T-3-4-575V	182T	16.1	4.5	3.75	4.5	5.5	2	9.1	8.7	0	2.75	1.125	0.986	0.25	1.78	0.75	I		
5	3600	PE213T-3-6	213T	18.9	5.25	4.25	5.5	0	2.4	11.2	11.6	0	3.38	1.375	1.201	0.312	2.41	1	I		
		PE213T-3-6-575V	213T	18.9	5.25	4.25	5.5	0	2.4	11.2	11.6	0	3.38	1.375	1.201	0.312	2.41	1	I		
	1800	PE184T-5-2	184T	17.1	4.5	3.75	4.5	5.5	2	9.1	8.7	0	2.75	1.125	0.986	0.25	1.78	0.75	I		
		PE184T-5-2-575V	184T	17.1	4.5	3.75	4.5	5.5	2	9.1	8.7	0	2.75	1.125	0.986	0.25	1.78	0.75	I		
	1200	PE184T-5-4	184T	17.1	4.5	3.75	4.5	5.5	2	9.1	8.7	0	2.75	1.125	0.986	0.25	1.78	0.75	I		
		PE184T-5-4-575V	184T	17.1	4.5	3.75	4.5	5.5	2	9.1	8.7	0	2.75	1.125	0.986	0.25	1.78	0.75	I		
7.5	3600	PE215T-5-6	215T	20.4	5.25	4.25	5.5	7	2.4	11.2	11.6	0	3.38	1.375	1.201	0.312	2.41	1	I		
		PE215T-5-6-575V	215T	20.4	5.25	4.25	5.5	7	2.4	11.2	11.6	0	3.38	1.375	1.201	0.312	2.41	1	I		
	1800	PE184T-7.5-2	184T	17.1	4.5	3.75	4.5	5.5	2	9.1	8.7	0	2.75	1.125	0.986	0.25	1.78	0.75	I		
		PE213T-7.5-2	213T	18.9	5.25	4.25	5.5	0	2.4	10.5	10.2	0	3.38	1.375	1.201	0.312	2.41	1	I		
	1200	PE213T-7.5-2-575V	213T	18.9	5.25	4.25	5.5	0	2.4	10.5	10.2	0	3.38	1.375	1.201	0.312	2.41	1	I		
		PE213T-7.5-4	213T	18.9	5.25	4.25	5.5	0	2.4	10.5	10.2	0	3.38	1.375	1.201	0.312	2.41	1	I		
1200	PE213T-7.5-4-575V	213T	18.9	5.25	4.25	5.5	0	2.4	10.5	10.2	0	3.38	1.375	1.201	0.312	2.41	1	I			
	PE254T-7.5-6	254T	23.2	6.25	5	8.3	0	2.75	13.2	12.8	0	4	1.625	1.416	0.375	2.91	1.25	I			
		PE254T-7.5-6-575V	254T	23.2	6.25	5	8.3	0	2.75	13.2	12.8	0	4	1.625	1.416	0.375	2.91	1.25	I		

GENERAL PURPOSE MOTORS

SPECIAL PURPOSE MOTORS

ACCESSORIES

APPENDIX



**Phases and HP:** 3-Phase, 1–600 HP

**Enclosure:** Totally enclosed fan cooled (TEFC)

**Frame:** 143T–586/7UZ

**Inverter duty:** 1–300 HP

(20:1 VT; 10:1 CT)

**Inverter rated:** 350–600 HP

(10:1 VT; 5:1 CT)

# General Purpose

## Heavy Duty Cast Iron

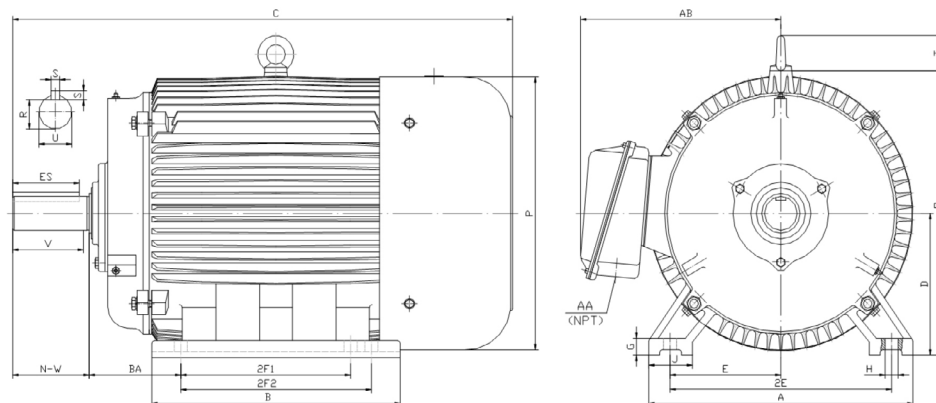


Diagram I

HP	RPM	Model Number	Frame	Motor Dimension								Flange	Shaft			Keyway			AA	Diagram
				C	D	E	2F1	2F2	J	O	P	AJ	N-W	U	R	S	ES			
10	3600	PE215T-10-2	215T	20.4	5.25	4.25	5.5	7	2.4	10.5	10.2	0	3.38	1.375	1.201	0.312	2.41	1	I	
		PE215T-10-2-575V	215T	20.4	5.25	4.25	5.5	7	2.4	10.5	10.2	0	3.38	1.375	1.201	0.312	2.41	1	I	
	1800	PE215T-10-4	215T	20.4	5.25	4.25	5.5	7	2.4	10.5	10.2	0	3.38	1.375	1.201	0.312	2.41	1	I	
		PE215T-10-4-575V	215T	20.4	5.25	4.25	5.5	7	2.4	10.5	10.2	0	3.38	1.375	1.201	0.312	2.41	1	I	
	1200	PE256T-10-6	256T	25	6.25	5	8.3	10	2.75	13.2	12.8	0	4	1.625	1.416	0.375	2.91	1.25	I	
		PE256T-10-6-575V	256T	25	6.25	5	8.3	10	2.75	13.2	12.8	0	4	1.625	1.416	0.375	2.91	1.25	I	
15	3600	PE215T-15-2	215T	20.4	5.25	4.25	5.5	7	2.4	10.5	10.2	0	3.38	1.375	1.201	0.312	2.41	1	I	
		PE254T-15-2	254T	23.2	6.25	5	8.3	0	2.75	13	12.4	0	4	1.625	1.416	0.375	2.91	1.25	I	
	1800	PE254T-15-2-575V	254T	23.2	6.25	5	8.3	0	2.75	13	12.4	0	4	1.625	1.416	0.375	2.91	1.25	I	
		PE254T-15-4	254T	23.2	6.25	5	8.3	0	2.75	13.2	12.8	0	4	1.625	1.416	0.375	2.91	1.25	I	
	1200	PE254T-15-4-575V	254T	23.2	6.25	5	8.3	0	2.75	13.2	12.8	0	4	1.625	1.416	0.375	2.91	1.25	I	
		PE284T-15-6	284T	26.6	7	5.5	9.5	0	2.75	14.5	14	0	4.62	1.875	1.591	0.5	3.28	1.5	I	
20	3600	PE284T-15-6-575V	284T	26.6	7	5.5	9.5	0	2.75	14.5	14	0	4.62	1.875	1.591	0.5	3.28	1.5	I	
		PE256T-20-2	256T	25	6.25	5	8.3	10	2.75	13	12.4	0	4	1.625	1.416	0.375	2.91	1.25	I	
	1800	PE256T-20-2-575V	256T	25	6.25	5	8.3	10	2.75	13	12.4	0	4	1.625	1.416	0.375	2.91	1.25	I	
		PE256T-20-4	256T	25	6.25	5	8.3	10	2.75	13.2	12.8	0	4	1.625	1.416	0.375	2.91	1.25	I	
	1200	PE256T-20-4-575V	256T	25	6.25	5	8.3	10	2.75	13.2	12.8	0	4	1.625	1.416	0.375	2.91	1.25	I	
		PE286T-20-6	286T	28.1	7	5.5	9.5	11	2.75	14.5	14	0	4.62	1.875	1.591	0.5	3.28	1.5	I	
25	3600	PE286T-20-6-575V	286T	28.1	7	5.5	9.5	11	2.75	14.5	14	0	4.62	1.875	1.591	0.5	3.28	1.5	I	
		PE256T-25-2	256T	25	6.25	5	8.3	10	2.75	13	12.4	0	4	1.625	1.416	0.375	2.91	1.25	I	
	1800	PE284T-25-2	284T	26.6	7	5.5	9.5	0	2.75	14.5	14	0	4.62	1.875	1.591	0.5	3.28	1.5	I	
		PE284TS-25-2	284TS	25.2	7	5.5	9.5	0	2.75	14.5	14	0	3.25	1.625	1.416	0.375	1.91	1.5	I	
	1200	PE284TS-25-2-575V	284TS	25.2	7	5.5	9.5	0	2.75	14.5	14	0	3.25	1.625	1.416	0.375	1.91	1.5	I	
		PE284T-25-4	284T	26.6	7	5.5	9.5	0	2.75	14.5	14	0	4.62	1.875	1.591	0.5	3.28	1.5	I	
30	3600	PE284T-25-4-575V	284T	26.6	7	5.5	9.5	0	2.75	14.5	14	0	4.62	1.875	1.591	0.5	3.28	1.5	I	
		PE324T-25-6	324T	29.8	8	6.25	10.5	0	2.75	15.9	15.7	0	5.25	2.125	1.845	0.5	3.91	2	I	
	1800	PE324T-25-6-575V	324T	29.8	8	6.25	10.5	0	2.75	15.9	15.7	0	5.25	2.125	1.845	0.5	3.91	2	I	
		PE286T-30-2	286T	28.1	7	5.5	9.5	11	2.75	14.5	14	0	4.62	1.875	1.591	0.5	3.28	1.5	I	
	1200	PE286TS-30-2	286TS	26.7	7	5.5	9.5	11	2.75	14.5	14	0	3.25	1.625	1.416	0.375	1.91	1.5	I	
		PE286T-30-4	286T	28.1	7	5.5	9.5	11	2.75	14.5	14	0	4.62	1.875	1.591	0.5	3.28	1.5	I	
30	1800	PE286TS-30-4	286TS	26.7	7	5.5	9.5	11	2.75	14.5	14	0	3.25	1.625	1.416	0.375	1.91	1.5	I	
		PE286T-30-4-575V	286T	28.1	7	5.5	9.5	11	2.75	14.5	14	0	4.62	1.875	1.591	0.5	3.28	1.5	I	
	1200	PE326T-30-6	326T	31.3	8	6.25	10.5	12	2.75	15.9	15.7	0	5.25	2.125	1.845	0.5	3.91	2	I	
		PE326T-30-6-575V	326T	31.3	8	6.25	10.5	12	2.75	15.9	15.7	0	5.25	2.125	1.845	0.5	3.91	2	I	



**Phases and HP:** 3-Phase, 1–600 HP

**Enclosure:** Totally enclosed fan cooled (TEFC)

**Frame:** 143T–586/7UZ

**Inverter duty:** 1–300 HP

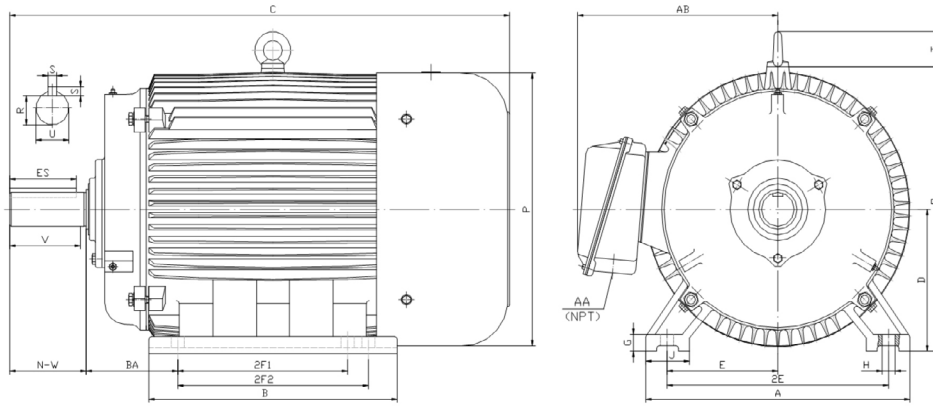
(20:1 VT; 10:1 CT)

**Inverter rated:** 350–600 HP

(10:1 VT; 5:1 CT)

# General Purpose

## Heavy Duty Cast Iron



**Diagram I**

HP	RPM	Model Number	Frame	Motor Dimension								Flange	Shaft			Keyway			AA	Diagram	
				C	D	E	2F1	2F2	J	O	P	AJ	N-W	U	R	S	ES				
40	3600	PE286T-40-2	286T	28.1	7	5.5	9.5	11	2.75	14.5	14	0	4.62	1.875	1.591	0.5	3.28	1.5	I		
		PE286TS-40-2	286TS	26.7	7	5.5	9.5	11	2.75	14.5	14	0	3.25	1.625	1.416	0.375	1.91	1.5	I		
		PE324T-40-2	324T	29.8	8	6.25	10.5	0	2.75	15.9	15.7	0	5.25	2.125	1.845	0.5	3.91	2	I		
		PE324TS-40-2	324TS	28.3	8	6.25	10.5	0	2.75	15.9	15.7	0	3.75	1.875	1.591	0.5	2.03	2	I		
		PE324TS-40-2-575V	324TS	28.3	8	6.25	10.5	0	2.75	15.9	15.7	0	3.75	1.875	1.591	0.5	2.03	2	I		
	1800	PE324T-40-4	324T	29.8	8	6.25	10.5	0	2.75	15.9	15.7	0	5.25	2.125	1.845	0.5	3.91	2	I		
		PE324TS-40-4	324TS	28.3	8	6.25	10.5	0	2.75	15.9	15.7	0	3.75	1.875	1.591	0.5	2.03	2	I		
		PE324T-40-4-575V	324T	29.8	8	6.25	10.5	0	2.75	15.9	15.7	0	5.25	2.125	1.845	0.5	3.91	2	I		
		PE364T-40-6	364T	32.5	9	7	11.3	0	2.95	18.5	18.4	0	5.88	2.375	2.021	0.625	4.28	3	I		
		PE364T-40-6-575V	364T	32.5	9	7	11.3	0	2.95	18.5	18.4	0	5.88	2.375	2.021	0.625	4.28	3	I		
50	3600	PE326T-50-2	326T	31.3	8	6.25	10.5	12	2.75	15.9	15.7	0	5.25	2.125	1.845	0.5	3.91	2	I		
		PE326TS-50-2	326TS	29.8	8	6.25	10.5	12	2.75	15.9	15.7	0	3.75	1.875	1.591	0.5	2.03	2	I		
		PE326TS-50-2-575V	326TS	29.8	8	6.25	10.5	12	2.75	15.9	15.7	0	3.75	1.875	1.591	0.5	2.03	2	I		
		PE326T-50-4	326T	31.3	8	6.25	10.5	12	2.75	15.9	15.7	0	5.25	2.125	1.845	0.5	3.91	2	I		
		PE326TS-50-4	326TS	29.8	8	6.25	10.5	12	2.75	15.9	15.7	0	3.75	1.875	1.591	0.5	2.03	2	I		
	1800	PE326T-50-4-575V	326T	31.3	8	6.25	10.5	12	2.75	15.9	15.7	0	5.25	2.125	1.845	0.5	3.91	2	I		
		PE365T-50-6	365T	33.5	9	7	11.3	12.3	2.95	18.5	18.4	0	5.88	2.375	2.021	0.625	4.28	3	I		
		PE365T-50-6-575V	365T	33.5	9	7	11.3	12.3	2.95	18.5	18.4	0	5.88	2.375	2.021	0.625	4.28	3	I		
		60	3600	PE364T-60-2	364T	33.5	9	7	11.3	12.3	2.95	18.1	17.6	0	5.88	2.375	2.021	0.625	4.28	3	I
				PE364TS-60-2	364TS	31.4	9	7	11.3	12.3	2.95	18.1	17.6	0	3.75	1.875	1.591	0.5	2.03	3	I
PE364TS-60-2-575V	364TS			31.4	9	7	11.3	12.3	2.95	18.1	17.6	0	3.75	1.875	1.591	0.5	2.03	3	I		
PE364T-60-4	364T			32.5	9	7	11.3	0	2.95	18.5	18.4	0	5.88	2.375	2.021	0.625	4.28	3	I		
PE364TS-60-4	364TS			30.4	9	7	11.3	0	2.95	18.5	18.4	0	3.75	1.875	1.591	0.5	2.03	3	I		
1800	PE364T-60-4-575V		364T	32.5	9	7	11.3	0	2.95	18.5	18.4	0	5.88	2.375	2.021	0.625	4.28	3	I		
	PE404T-60-6		404T	38	10	8	12.3	13.8	3.15	21.1	21.6	0	7.25	2.875	2.45	0.75	5.65	3	I		
	PE404T-60-6-BB		404T	38	10	8	12.3	13.8	3.15	21.1	21.6	0	7.25	2.875	2.45	0.75	5.65	3	I		
	PE404T-60-6-575V		404T	38	10	8	12.3	13.8	3.15	21.1	21.6	0	7.25	2.875	2.45	0.75	5.65	3	I		
	75		3600	PE365T-75-2	365T	33.5	9	7	11.3	12.3	2.95	18.1	17.6	0	5.88	2.375	2.021	0.625	4.28	3	I
PE365TS-75-2		365TS		31.4	9	7	11.3	12.3	2.95	18.1	17.6	0	3.75	1.875	1.591	0.5	2.03	3	I		
PE365TS-75-2-575V		365TS		31.4	9	7	11.3	12.3	2.95	18.1	17.6	0	3.75	1.875	1.591	0.5	2.03	3	I		
PE365T-75-4		365T		33.5	9	7	11.3	12.3	2.95	18.5	18.4	0	5.88	2.375	2.021	0.625	4.28	3	I		
PE365TS-75-4		365TS		31.4	9	7	11.3	12.3	2.95	18.5	18.4	0	3.75	1.875	1.591	0.5	2.03	3	I		
1800		PE365T-75-4-575V	365T	33.5	9	7	11.3	12.3	2.95	18.5	18.4	0	5.88	2.375	2.021	0.625	4.28	3	I		
		PE405T-75-6	405T	38	10	8	12.3	13.8	3.15	21.1	21.6	0	7.25	2.875	2.45	0.75	5.65	3	I		
		PE405T-75-6-BB	405T	38	10	8	12.3	13.8	3.15	21.1	21.6	0	7.25	2.875	2.45	0.75	5.65	3	I		
		PE405T-75-6-575V	405T	38	10	8	12.3	13.8	3.15	21.1	21.6	0	7.25	2.875	2.45	0.75	5.65	3	I		

GENERAL PURPOSE MOTORS

SPECIAL PURPOSE MOTORS

ACCESSORIES

APPENDIX





**Phases and HP:** 3-Phase, 1–600 HP

**Enclosure:** Totally enclosed fan cooled (TEFC)

**Frame:** 143T–586/7UZ

**Inverter duty:** 1–300 HP

(20:1 VT; 10:1 CT)

**Inverter rated:** 350–600 HP

(10:1 VT; 5:1 CT)

# General Purpose

## Heavy Duty Cast Iron

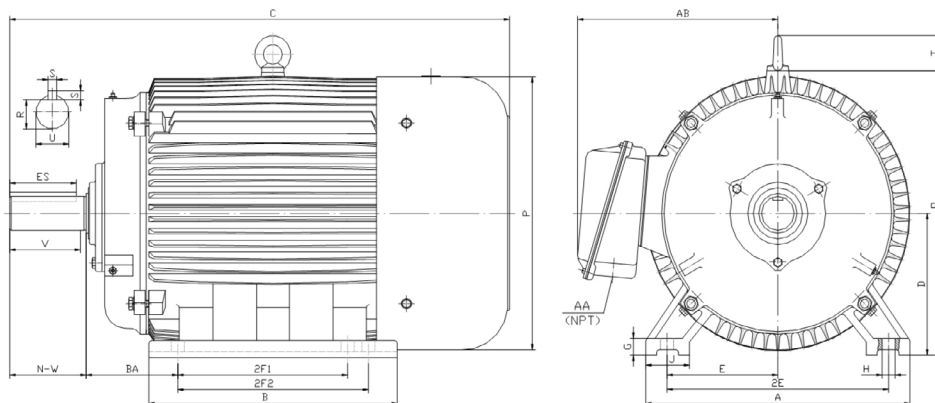


Diagram I

HP	RPM	Model Number	Frame	Motor Dimension								Flange	Shaft			Keyway			AA	Diagram
				C	D	E	2F1	2F2	J	O	P	AJ	N-W	U	R	S	ES			
100	3600	PE405T-100-2	405T	38	10	8	12.3	13.8	3.15	19.8	19.1	0	7.25	2.875	2.45	0.75	5.65	3	I	
		PE405TS-100-2	405TS	35	10	8	12.3	13.8	3.15	19.8	19.1	0	4.25	2.125	1.845	0.5	2.78	3	I	
		PE405TS-100-2-575V	405TS	35	10	8	12.3	13.8	3.15	19.8	19.1	0	4.25	2.125	1.845	0.5	2.78	3	I	
		PE405T-100-4	405T	38	10	8	12.3	13.8	3.15	21.1	21.6	0	7.25	2.875	2.45	0.75	5.65	3	I	
	1800	PE405T-100-4-BB	405T	38	10	8	12.3	13.8	3.15	21.1	21.6	0	7.25	2.875	2.45	0.75	5.65	3	I	
		PE405TS-100-4	405TS	35	10	8	12.3	13.8	3.15	21.1	21.6	0	4.25	2.125	1.845	0.5	2.78	3	I	
		PE405T-100-4-575V	405T	38	10	8	12.3	13.8	3.15	21.1	21.6	0	7.25	2.875	2.45	0.75	5.65	3	I	
		PE444T-100-6	444T	44.3	11	9	14.5	16.5	3.35	23	23.4	0	8.5	3.375	2.88	0.875	6.91	3	I	
1200	PE444T-100-6-IN	444T	44.3	11	9	14.5	16.5	3.35	23	23.4	0	8.5	3.375	2.88	0.875	6.91	3	I		
	PE444T-100-6-575V	444T	44.3	11	9	14.5	16.5	3.35	23	23.4	0	8.5	3.375	2.88	0.875	6.91	3	I		
	PE444TS-125-2	444TS	40.6	11	9	14.5	16.5	3.35	23	23.4	0	4.75	2.375	2.021	0.625	3.03	3	I		
	PE444TS-125-2-IN	444TS	40.6	11	9	14.5	16.5	3.35	23	23.4	0	4.75	2.375	2.021	0.625	3.03	3	I		
125	3600	PE444TS-125-2-575V	444TS	40.6	11	9	14.5	16.5	3.35	23	23.4	0	4.75	2.375	2.021	0.625	3.03	3	I	
		PE444T-125-4	444T	44.3	11	9	14.5	16.5	3.35	22.1	21.6	0	8.5	3.375	2.88	0.875	6.91	3	I	
		PE444T-125-4-BB	444T	44.3	11	9	14.5	16.5	3.35	22.1	21.6	0	8.5	3.375	2.88	0.875	6.91	3	I	
		PE444T-125-4-IN	444T	44.3	11	9	14.5	16.5	3.35	22.1	21.6	0	8.5	3.375	2.88	0.875	6.91	3	I	
	1800	PE444TS-125-4	444TS	40.6	11	9	14.5	16.5	3.35	22.1	21.6	0	4.75	2.375	2.021	0.625	3.03	3	I	
		PE444T-125-4-575V	444T	44.3	11	9	14.5	16.5	3.35	22.1	21.6	0	8.5	3.375	2.88	0.875	6.91	3	I	
		PE445T-125-6	445T	44.3	11	9	14.5	16.5	3.35	23	23.4	0	8.5	3.375	2.88	0.875	6.91	3	I	
		PE445T-125-6-575V	445T	44.3	11	9	14.5	16.5	3.35	23	23.4	0	8.5	3.375	2.88	0.875	6.91	3	I	
150	3600	PE445TS-150-2	445TS	40.6	11	9	14.5	16.5	3.35	23	23.4	0	4.75	2.375	2.021	0.625	3.03	3	I	
		PE445TS-150-2-IN	445TS	40.6	11	9	14.5	16.5	3.35	23	23.4	0	4.75	2.375	2.021	0.625	3.03	3	I	
		PE445TS-150-2-575V	445TS	40.6	11	9	14.5	16.5	3.35	23	23.4	0	4.75	2.375	2.021	0.625	3.03	3	I	
		PE445T-150-4	445T	44.3	11	9	14.5	16.5	3.35	23	23.4	0	8.5	3.375	2.88	0.875	6.91	3	I	
	1800	PE445T-150-4-BB	445T	44.3	11	9	14.5	16.5	3.35	23	23.4	0	8.5	3.375	2.88	0.875	6.91	3	I	
		PE445T-150-4-IN	445T	44.3	11	9	14.5	16.5	3.35	23	23.4	0	8.5	3.375	2.88	0.875	6.91	3	I	
		PE445TS-150-4	445TS	40.6	11	9	14.5	16.5	3.35	23	23.4	0	4.75	2.375	2.021	0.625	3.03	3	I	
		PE445T-150-4-575V	445T	44.3	11	9	14.5	16.5	3.35	23	23.4	0	8.5	3.375	2.88	0.875	6.91	3	I	
1200	PE447T-150-6	447T	47.8	11	9	16.5	20	3.35	23	23.4	0	8.5	3.375	2.88	0.875	6.91	3	I		
	PE447T-150-6-IN	447T	47.8	11	9	16.5	20	3.35	23	23.4	0	8.5	3.375	2.88	0.875	6.91	3	I		
	PE447T-150-6-575V	447T	47.8	11	9	16.5	20	3.35	23	23.4	0	8.5	3.375	2.88	0.875	6.91	3	I		



**Phases and HP:** 3-Phase, 1–600 HP

**Enclosure:** Totally enclosed fan cooled (TEFC)

**Frame:** 143T–586/7UZ

**Inverter duty:** 1–300 HP

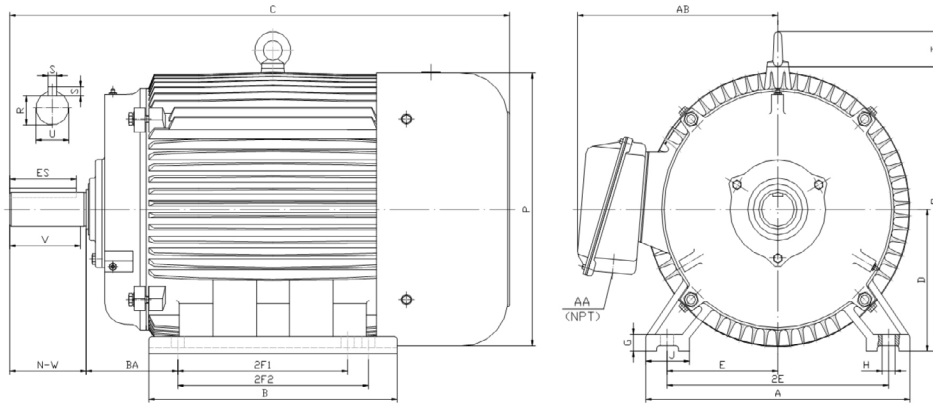
(20:1 VT; 10:1 CT)

**Inverter rated:** 350–600 HP

(10:1 VT; 5:1 CT)

# General Purpose

## Heavy Duty Cast Iron



**Diagram I**

HP	RPM	Model Number	Frame	Motor Dimension								Flange	Shaft			Keyway			AA	Diagram
				C	D	E	2F1	2F2	J	O	P	AJ	N-W	U	R	S	ES			
200	3600	PE447TS-200-2	447TS	44.1	11	9	16.5	20	3.35	23	23.4	0	4.75	2.375	2.021	0.625	3.03	3	I	
		PE447TS-200-2-IN	447TS	44.1	11	9	16.5	20	3.35	23	23.4	0	4.75	2.375	2.021	0.625	3.03	3	I	
		PE447TS-200-2-575V	447TS	44.1	11	9	16.5	20	3.35	23	23.4	0	4.75	2.375	2.021	0.625	3.03	3	I	
	1800	PE447T-200-4	447T	47.8	11	9	16.5	20	3.35	23	23.4	0	8.5	3.375	2.88	0.875	6.91	3	I	
		PE447T-200-4-BB	447T	47.8	11	9	16.5	20	3.35	23	23.4	0	8.5	3.375	2.88	0.875	6.91	3	I	
		PE447T-200-4-IN	447T	47.8	11	9	16.5	20	3.35	23	23.4	0	8.5	3.375	2.88	0.875	6.91	3	I	
		PE447TS-200-4	447TS	44.1	11	9	16.5	20	3.35	23	23.4	0	4.75	2.375	2.021	0.625	3.03	3	I	
		PE447T-200-4-575V	447T	47.8	11	9	16.5	20	3.35	23	23.4	0	8.5	3.375	2.88	0.875	6.91	3	I	
		PE449T-200-6	449T	52.8	11	9	20	25	3.35	23	23.4	0	8.5	3.375	2.88	0.875	6.91	3	I	
1200	PE449T-200-6-IN	449T	52.8	11	9	20	25	3.35	23	23.4	0	8.5	3.375	2.88	0.875	6.91	3	I		
	PE449T-200-6-575V	449T	52.8	11	9	20	25	3.35	23	23.4	0	8.5	3.375	2.88	0.875	6.91	3	I		
	PE449TS-250-2	449TS	49.1	11	9	20	25	3.35	23	23.4	0	4.75	2.375	2.021	0.625	3.03	3	I		
250	3600	PE449TS-250-2-IN	449TS	49.1	11	9	20	25	3.35	23	23.4	0	4.75	2.375	2.021	0.625	3.03	3	I	
		PE449TS-250-2-575V	449TS	49.1	11	9	20	25	3.35	23	23.4	0	4.75	2.375	2.021	0.625	3.03	3	I	
		PE449T-250-4	449T	52.8	11	9	20	25	3.35	23	23.4	0	8.5	3.375	2.88	0.875	6.91	3	I	
	1800	PE449T-250-4-BB	449T	52.8	11	9	20	25	3.35	23	23.4	0	8.5	3.375	2.88	0.875	6.91	3	I	
		PE449T-250-4-IN	449T	52.8	11	9	20	25	3.35	23	23.4	0	8.5	3.375	2.88	0.875	6.91	3	I	
		PE449T-250-4-575V	449T	52.8	11	9	20	25	3.35	23	23.4	0	8.5	3.375	2.88	0.875	6.91	3	I	
	1200	PE449T-250-6	449T	52.8	11	9	20	25	3.35	23	23.4	0	8.5	3.375	2.88	0.875	6.91	3	I	
		PE449T-250-6-IN	449T	52.8	11	9	20	25	3.35	23	23.4	0	8.5	3.375	2.88	0.875	6.91	3	I	
		PE449T-250-6-575V	449T	52.8	11	9	20	25	3.35	23	23.4	0	8.5	3.375	2.88	0.875	6.91	3	I	
300	3600	PE449TS-300-2	449TS	49.1	11	9	20	25	3.35	23	23.4	0	4.75	2.375	2.021	0.625	3.03	3	I	
		PE449TS-300-2-IN	449TS	49.1	11	9	20	25	3.35	23	23.4	0	4.75	2.375	2.021	0.625	3.03	3	I	
		PE449TS-300-2-575V	449TS	49.1	11	9	20	25	3.35	23	23.4	0	4.75	2.375	2.021	0.625	3.03	3	I	
	1800	PE449T-300-4	449T	52.8	11	9	20	25	3.35	23	23.4	0	8.5	3.375	2.88	0.875	6.91	3	I	
		PE449T-300-4-BB	449T	52.8	11	9	20	25	3.35	23	23.4	0	8.5	3.375	2.88	0.875	6.91	3	I	
		PE449T-300-4-IN	449T	52.8	11	9	20	25	3.35	23	23.4	0	8.5	3.375	2.88	0.875	6.91	3	I	
		PE449TS-300-4	449TS	49.1	11	9	20	25	3.35	23	23.4	0	8.5	2.375	2.021	0.625	3.03	3	I	
		PE449T-300-4-575V	449T	52.8	11	9	20	25	3.35	23	23.4	0	8.5	3.375	2.88	0.875	6.91	3	I	
		PE449T-300-6	449T	52.8	11	9	20	25	3.35	23	23.4	0	8.5	3.375	2.88	0.875	6.91	3	I	
1200	PE449T-300-6-IN	449T	52.8	11	9	20	25	3.35	23	23.4	0	8.5	3.375	2.88	0.875	6.91	3	I		
	PE449T-300-6-575V	449T	52.8	11	9	20	25	3.35	23	23.4	0	8.5	3.375	2.88	0.875	6.91	3	I		
	PE587UZ-350-4C-BB	587UZ	71.7	14.5	11.5	22	25	5.51	41.4	33.1	0	11.625	4.375	3.817	1	10	2 X 3"	I		
350	1800	PE587UZ-350-6C-BB	587UZ	71.65	14.5	11.5	22	25	5.51	41.4	33.1	0	11.625	4.375	3.817	1	10	2 X 3"	I	
	1800	PE587UZ-400-4C-BB	587UZ	71.7	14.5	11.5	22	25	5.51	41.4	33.1	0	11.625	4.375	3.817	1	10	2 X 3"	I	
400	1200	PE587UZ-400-6C-BB	587UZ	71.65	14.5	11.5	22	25	5.51	41.4	33.1	0	11.625	4.375	3.817	1	10	2 X 3"	I	

GENERAL PURPOSE MOTORS

SPECIAL PURPOSE MOTORS

ACCESSORIES

APPENDIX



**Phases and HP:** 3-Phase, 1–600 HP

**Enclosure:** Totally enclosed fan cooled (TEFC)

**Frame:** 143T–586/7UZ

**Inverter duty:** 1–300 HP

(20:1 VT; 10:1 CT)

**Inverter rated:** 350–600 HP

(10:1 VT; 5:1 CT)

# General Purpose

## Heavy Duty Cast Iron

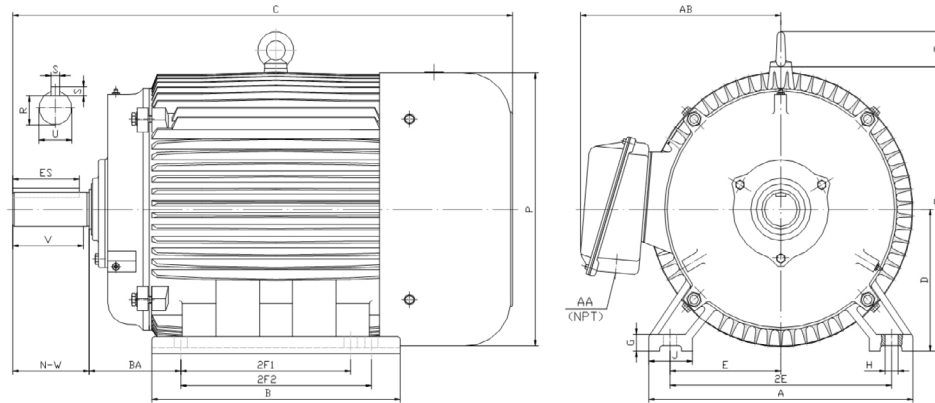


Diagram I

HP	RPM	Model Number	Frame	Motor Dimension									Flange	Shaft		Keyway			AA	Diagram
				C	D	E	2F1	2F2	J	O	P	AJ	N-W	U	R	S	ES			
450	1800	PE587UZ-450-4C-BB	587UZ	71.7	14.5	11.5	22	25	5.51	41.4	33.1	0	11.625	4.375	3.817	1	10	2 X 3"	I	
	1200	PE587UZ-450-6C-BB	587UZ	71.65	14.5	11.5	22	25	5.51	41.4	33.1	0	11.625	4.375	3.817	1	10	2 X 3"	I	
500	1800	PE587UZ-500-4C-BB	587UZ	71.7	14.5	11.5	22	25	5.51	41.4	33.1	0	11.625	4.375	3.817	1	10	2 X 3"	I	
	1200	PE587UZ-500-6C-BB	587UZ	71.65	14.5	11.5	22	25	5.51	41.4	33.1	0	11.625	4.375	3.817	1	10	2 X 3"	I	
600	1800	PE587UZ-600-4C-BB	587UZ	71.7	14.5	11.5	22	25	5.51	41.4	33.1	0	11.625	4.375	3.817	1	10	2 X 3"	I	

GENERAL PURPOSE MOTORS

SPECIAL PURPOSE MOTORS

ACCESSORIES

APPENDIX



**Phases and HP:** 3-Phase, 1–300 HP      **Inverter duty:** (20:1 VT; 10:1 CT)  
**Enclosure:** Totally enclosed fan cooled (TEFC)  
**Frame:** 143TC–449TC

GENERAL PURPOSE MOTORS

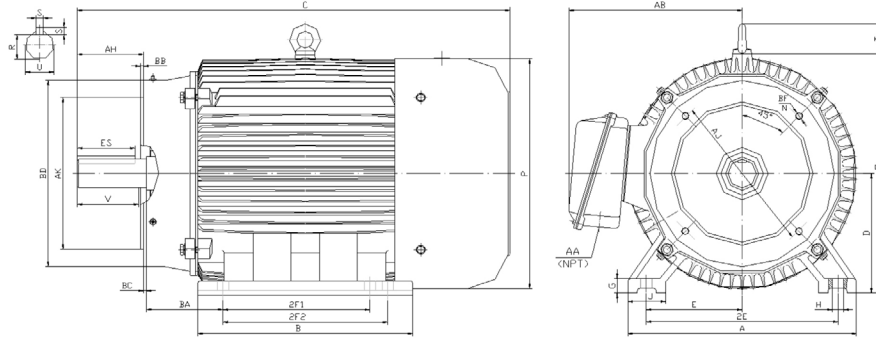
SPECIAL PURPOSE MOTORS

ACCESSORIES

APPENDIX

# General Purpose

## C-Flange w/Feet — Heavy Duty Cast Iron



**Diagram J**

HP	RPM	Model Number	Frame	Motor Dimension								Flange		Shaft			Keyway			AA	Diagram
				C	D	E	2F1	2F2	J	O	P	AJ	N-W	U	R	S	ES				
1	1800	PE143TC-1-4	143TC	13.6	3.5	2.75	4	5	1.4	7.1	7	5.88	0	0.875	0.771	0.188	1.41	0.75	J		
	1200	PE145TC-1-6	145TC	14.6	3.5	2.75	4	5	1.4	7.1	7	5.88	0	0.875	0.771	0.188	1.41	0.75	J		
1.5	3600	PE143TC-1.5-2	143TC	13.6	3.5	2.75	4	5	1.4	7.1	7	5.88	0	0.875	0.771	0.188	1.41	0.75	J		
	1800	PE145TC-1.5-4	145TC	14.6	3.5	2.75	4	5	1.4	7.1	7	5.88	0	0.875	0.771	0.188	1.41	0.75	J		
2	1200	PE182TC-1.5-6	182TC	16.1	4.5	3.75	4.5	5.5	2	9.1	8.7	7.25	0	1.125	0.986	0.25	1.78	0.75	J		
	3600	PE145TC-2-2	145TC	14.6	3.5	2.75	4	5	1.4	7.1	7	5.88	0	0.875	0.771	0.188	1.41	0.75	J		
	1800	PE145TC-2-4	145TC	14.6	3.5	2.75	4	5	1.4	7.1	7	5.88	0	0.875	0.771	0.188	1.41	0.75	J		
	1200	PE184TC-2-6	184TC	17.1	4.5	3.75	4.5	5.5	2	9.1	8.7	7.25	0	1.125	0.986	0.25	1.78	0.75	J		
3	3600	PE145TC-3-2	145TC	14.6	3.5	2.75	4	5	1.4	7.1	7	5.875	0	0.875	0.771	0.188	1.41	0.75	J		
	1800	PE182TC-3-2	182TC	16.1	4.5	3.75	4.5	5.5	2	9.1	8.7	7.25	0	1.125	0.986	0.25	1.78	0.75	J		
	1800	PE182TC-3-4	182TC	16.1	4.5	3.75	4.5	5.5	2	9.1	8.7	7.25	0	1.125	0.986	0.25	1.78	0.75	J		
	1200	PE213TC-3-6	213TC	18.9	5.25	4.25	5.5	0	2.4	11.2	11.6	7.25	0	1.375	1.201	0.312	2.41	1	J		
5	3600	PE184TC-5-2	184TC	17.1	4.5	3.75	4.5	5.5	2	9.1	8.7	7.25	0	1.125	0.986	0.25	1.78	0.75	J		
	1800	PE184TC-5-4	184TC	17.1	4.5	3.75	4.5	5.5	2	9.1	8.7	7.25	0	1.125	0.986	0.25	1.78	0.75	J		
	1200	PE215TC-5-6	215TC	20.4	5.25	4.25	5.5	7	2.4	11.2	11.6	7.25	0	1.375	1.201	0.312	2.41	1	J		
	7.5	3600	PE184TC-7.5-2	184TC	17.1	4.5	3.75	4.5	5.5	2	9.1	8.7	7.25	0	1.125	0.986	0.25	1.78	0.75	J	
1800		PE213TC-7.5-2	213TC	18.9	5.25	4.25	5.5	0	2.4	10.5	10.2	7.25	0	1.375	1.201	0.312	2.41	1	J		
1800		PE213TC-7.5-4	213TC	18.9	5.25	4.25	5.5	0	2.4	10.5	10.2	7.25	0	1.375	1.201	0.312	2.41	1	J		
1200		PE254TC-7.5-6	254TC	23.2	6.25	5	8.3	0	2.75	13.2	12.8	7.25	0	1.625	1.416	0.375	2.91	1.25	J		
10	3600	PE215TC-10-2	215TC	20.4	5.25	4.25	5.5	7	2.4	10.5	10.2	7.25	0	1.375	1.201	0.312	2.41	1	J		
	1800	PE215TC-10-4	215TC	20.4	5.25	4.25	5.5	7	2.4	10.5	10.2	7.25	0	1.375	1.201	0.312	2.41	1	J		
	1200	PE256TC-10-6	256TC	25	6.25	5	8.3	10	2.75	13.2	12.8	7.25	0	1.625	1.416	0.375	2.91	1.25	J		
15	3600	PE215TC-15-2	215TC	0	0	0	0	0	0	0	0	0	0	0	0	0	0	0	J		
	1800	PE254TC-15-2	254TC	23.2	6.25	5	8.3	0	2.75	13	12.4	7.25	0	1.625	1.416	0.375	2.91	1.25	J		
	1800	PE254TC-15-4	254TC	23.2	6.25	5	8.3	0	2.75	13.2	12.8	7.25	0	1.625	1.416	0.375	2.91	1.25	J		
	1200	PE284TC-15-6	284TC	26.6	7	5.5	9.5	0	2.75	14.5	14	9	0	1.875	1.591	0.5	3.28	1.5	J		
20	3600	PE256TC-20-2	256TC	25	6.25	5	8.3	10	2.75	13	12.4	7.25	0	1.625	1.416	0.375	2.91	1.25	J		
	1800	PE256TC-20-4	256TC	25	6.25	5	8.3	10	2.75	13.2	12.8	7.25	0	1.625	1.416	0.375	2.91	1.25	J		
	1200	PE286TC-20-6	286TC	28.1	7	5.5	9.5	11	2.75	14.5	14	9	0	1.875	1.591	0.5	3.28	1.5	J		
25	3600	PE256TC-25-2	256TC	0	0	0	0	0	0	0	0	0	0	0	0	0	0	0	J		
	1800	PE284TC-25-2	284TC	26.6	7	5.5	9.5	0	2.75	14.5	14	9	0	1.875	1.591	0.5	3.28	1.5	J		
	1800	PE284TSC-25-2	284TSC	25.2	7	5.5	9.5	0	2.75	14.5	14	9	0	1.625	1.416	0.375	1.91	1.5	J		
	1800	PE284TC-25-4	284TC	26.6	7	5.5	9.5	0	2.75	14.5	14	9	0	1.875	1.591	0.5	3.28	1.5	J		
	1800	PE284TSC-25-4	284TSC	25.2	7	5.5	9.5	0	2.75	14.5	14	9	0	1.625	1.416	0.375	1.91	1.5	J		
	1200	PE324TC-25-6	324TC	29.8	8	6.25	10.5	0	2.75	15.9	15.7	11	0	2.125	1.845	0.5	3.91	2	J		



Phases and HP: 3-Phase, 1–300 HP

Inverter duty: (20:1 VT; 10:1 CT)

Enclosure: Totally enclosed fan cooled (TEFC)

Frame: 143TC–449TC

# General Purpose

## C-Flange w/Feet — Heavy Duty Cast Iron

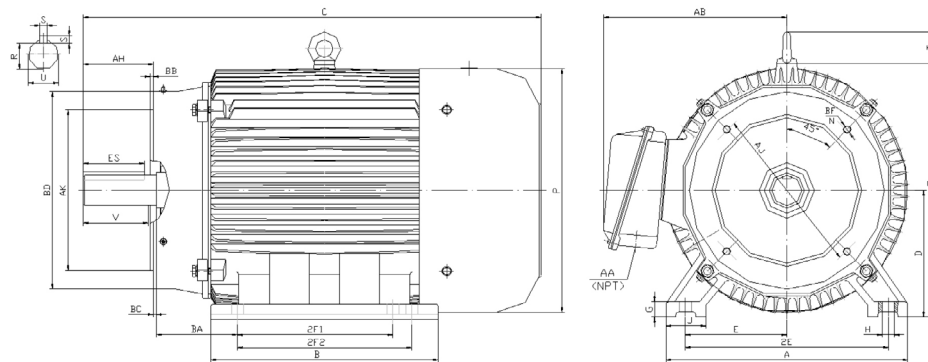


Diagram J

HP	RPM	Model Number	Frame	Motor Dimension								Flange		Shaft			Keyway			AA	Diagram
				C	D	E	2F1	2F2	J	O	P	AJ	N-W	U	R	S	ES				
30	3600	PE286TC-30-2	286TC	28.1	7	5.5	9.5	11	2.75	14.5	14	9	0	1.875	1.591	0.5	3.28	1.5	J		
		PE286TSC-30-2	286TSC	26.7	7	5.5	9.5	11	2.75	14.5	14	9	0	1.625	1.416	0.375	1.91	1.5	J		
	1800	PE286TC-30-4	286TC	28.1	7	5.5	9.5	11	2.75	14.5	14	9	0	1.875	1.591	0.5	3.28	1.5	J		
		PE286TSC-30-4	286TSC	26.7	7	5.5	9.5	11	2.75	14.5	14	9	0	1.625	1.416	0.375	1.91	1.5	J		
40	1200	PE326TC-30-6	326TC	31.3	8	6.25	10.5	12	2.75	15.9	15.7	11	0	2.125	1.845	0.5	3.91	2	J		
		PE286TC-40-2	286TC	0	0	0	0	0	0	0	0	0	0	0	0	0	0	0	0		
	3600	PE286TSC-40-2	286TSC	26.7	7	5.5	9.5	11	2.75	14.5	14	9	0	1.625	1.416	0.375	1.91	1.5	J		
		PE324TC-40-2	324TC	29.8	8	6.25	10.5	0	2.75	15.9	15.7	11	0	2.125	1.845	0.5	3.91	2	J		
	1800	PE324TSC-40-2	324TSC	28.3	8	6.25	10.5	0	2.75	15.9	15.7	11	0	1.875	1.591	0.5	2.03	2	J		
		PE324TC-40-4	324TC	29.8	8	6.25	10.5	0	2.75	15.9	15.7	11	0	2.125	1.845	0.5	3.91	2	J		
	1200	PE324TSC-40-4	324TSC	28.3	8	6.25	10.5	0	2.75	15.9	15.7	11	0	1.875	1.591	0.5	2.03	2	J		
		PE364TC-40-6	364TC	32.5	9	7	11.25	0	2.95	18.5	18.4	11	0	2.375	2.021	0.625	4.28	3	J		
	50	3600	PE326TC-50-2	326TC	31.3	8	6.25	10.5	12	2.75	15.9	15.7	11	0	2.125	1.845	0.5	3.91	2	J	
			PE326TSC-50-2	326TSC	29.8	8	6.25	10.5	12	2.75	15.9	15.7	11	0	1.875	1.591	0.5	2.03	2	J	
		1800	PE326TC-50-4	326TC	31.3	8	6.25	10.5	12	2.75	15.9	15.7	11	0	2.125	1.845	0.5	3.91	2	J	
			PE326TSC-50-4	326TSC	29.8	8	6.25	10.5	12	2.75	15.9	15.7	11	0	1.875	1.591	0.5	2.03	2	J	
60	1200	PE365TC-50-6	365TC	33.5	9	7	11.25	12.25	2.95	18.5	18.4	11	0	2.375	2.021	0.625	4.28	3	J		
		PE364TC-60-2	364TC	33.5	9	7	11.3	12.3	2.75	18.1	17.6	11	0	2.375	2.021	0.625	4.28	3	J		
	3600	PE364TSC-60-2	364TSC	31.4	9	7	11.3	12.3	2.95	18.1	17.6	11	0	1.875	1.591	0.5	2.03	3	J		
		PE364TC-60-4	364TC	32.5	9	7	11.3	0	2.95	18.5	18.4	11	0	2.375	2.021	0.625	4.28	3	J		
	1800	PE364TSC-60-4	364TSC	30.4	9	7	11.3	0	2.95	18.5	18.4	11	0	1.875	1.591	0.5	2.03	3	J		
		PE404TC-60-6	404TC	38	10	8	12.25	13.75	3.15	21.1	21.6	11	0	2.875	2.45	0.75	5.65	3	J		
75	3600	PE365TC-75-2	365TC	33.5	9	7	11.3	12.3	2.95	18.1	17.6	11	0	2.375	2.021	0.625	4.28	3	J		
		PE365TSC-75-2	365TSC	31.4	9	7	11.3	12.3	2.95	18.1	17.6	11	0	1.875	1.591	0.5	2.03	3	J		
	1800	PE365TC-75-4	365TC	33.5	9	7	11.3	12.3	2.95	18.5	18.4	11	0	2.375	2.021	0.625	4.28	3	J		
		PE365TSC-75-4	365TSC	31.4	9	7	11.3	12.3	2.95	18.5	18.4	11	0	1.875	1.591	0.5	2.03	3	J		
100	1200	PE405TC-75-6	405TC	38	10	8	12.25	13.75	3.15	21.1	21.6	11	0	2.875	2.45	0.75	5.65	3	J		
		PE405TSC-75-6	405TSC	35	10	8	12.3	13.8	2.95	19.8	19.1	11	0	2.875	2.45	0.75	5.65	3	J		
	3600	PE405TC-100-2	405TC	38	10	8	12.3	13.8	3.15	19.8	19.1	11	0	2.125	1.845	0.5	2.78	3	J		
		PE405TSC-100-2	405TSC	35	10	8	12.3	13.8	3.15	19.8	19.1	11	0	2.125	1.845	0.5	2.78	3	J		
	1800	PE405TC-100-4	405TC	38	10	8	12.3	13.8	3.15	21.1	21.6	11	0	2.875	2.45	0.75	5.65	3	J		
		PE405TSC-100-4	405TSC	35	10	8	12.3	13.8	3.15	21.1	21.6	11	0	2.125	1.845	0.5	2.78	3	J		
1200	PE444TC-100-6	444TC	44.3	11	9	14.5	16.5	3.35	23	23.4	14	0	3.375	2.88	0.875	6.91	3	J			



**Phases and HP:** 3-Phase, 1–300 HP

**Inverter duty:** (20:1 VT; 10:1 CT)

**Enclosure:** Totally enclosed fan cooled (TEFC)

**Frame:** 143TC–449TC

GENERAL PURPOSE MOTORS

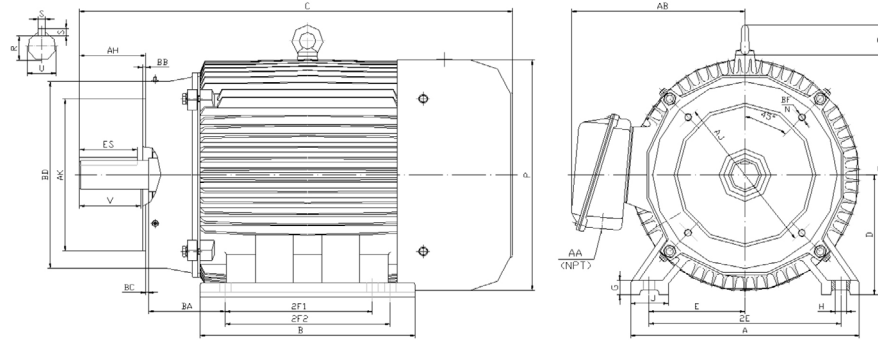
SPECIAL PURPOSE MOTORS

ACCESSORIES

APPENDIX

# General Purpose

## C-Flange w/Feet — Heavy Duty Cast Iron



**Diagram J**

HP	RPM	Model Number	Frame	Motor Dimension									Flange		Shaft			Keyway			AA	Diagram
				C	D	E	2F1	2F2	J	O	P	AJ	N-W	U	R	S	ES					
125	3600	PE444TSC-125-2	444TSC	40.6	11	9	14.5	16.5	3.15	23	23.4	14	0	2.375	2.021	0.625	3.03	3	J			
		PE444TC-125-4	444TC	44.3	11	9	14.5	16.5	3.35	22.1	21.6	14	0	3.375	2.88	0.875	6.91	3	J			
	1800	PE444TC-125-4-IN	444TC	44.3	11	9	14.5	16.5	3.35	22.1	21.6	14	0	3.375	2.88	0.875	6.91	3	J			
		PE444TSC-125-4	444TSC	40.6	11	9	14.5	16.5	3.35	22.1	21.6	14	0	2.375	2.021	0.625	3.03	3	J			
150	1200	PE445TC-125-6	445TC	44.3	11	9	14.5	16.5	3.35	23	23.4	14	0	3.375	2.88	0.875	6.91	3	J			
		PE445TSC-150-2	445TSC	40.6	11	9	14.5	16.5	3.35	23	23.4	14	0	2.375	2.021	0.625	3.03	3	J			
	1800	PE445TC-150-4	445TC	44.3	11	9	14.5	16.5	3.35	23	23.4	14	0	3.375	2.88	0.875	6.91	3	J			
		PE445TSC-150-4-IN	445TC	44.3	11	9	14.5	16.5	3.35	23	23.4	14	0	3.375	2.88	0.875	6.91	3	J			
200	1200	PE447TC-150-6	447TC	47.8	11	9	16.5	20	3.35	23	23.4	14	0	3.375	2.88	0.875	6.91	3	J			
		PE447TSC-200-2	447TSC	44.1	11	9	16.5	20	3.35	23	23.4	14	0	2.375	2.021	0.625	3.03	3	J			
	1800	PE447TC-200-4	447TC	47.8	11	9	16.5	20	3.35	23	23.4	14	0	3.375	2.88	0.875	6.91	3	J			
		PE447TSC-200-4-IN	447TC	47.8	11	9	16.5	20	3.35	23	23.4	14	0	3.375	2.88	0.875	6.91	3	J			
250	1200	PE449TC-200-6	449TC	52.8	11	9	20	25	3.35	23	23.4	14	0	3.375	2.88	0.875	6.91	3	J			
		PE449TSC-250-2	449TSC	49.1	11	9	20	25	3.35	23	23.4	14	0	2.375	2.021	0.625	3.03	3	J			
	1800	PE449TC-250-4	449TC	52.8	11	9	20	25	3.35	23	23.4	14	0	3.375	2.88	0.875	6.91	3	J			
		PE449TSC-250-4-IN	449TC	52.8	11	9	20	25	3.35	23	23.4	14	0	3.375	2.88	0.875	6.91	3	J			
300	1200	PE449TC-250-6	449TC	52.8	11	9	20	25	3.35	23	23.4	14	0	3.375	2.88	0.875	6.91	3	J			
		PE449TSC-300-2	449TSC	49.1	11	9	20	25	3.35	23	23.4	14	0	2.375	2.021	0.625	3.03	3	J			
	1800	PE449TC-300-4	449TC	52.8	11	9	20	25	3.35	23	23.4	14	0	3.375	2.88	0.875	6.91	3	J			
		PE449TSC-300-4-IN	449TC	52.8	11	9	20	25	3.35	23	23.4	14	0	3.375	2.88	0.875	6.91	3	J			



Phases and HP: 3-Phase, 1–30 HP

Inverter duty: (20:1 VT; 10:1 CT)

Enclosure: Totally enclosed fan cooled (TEFC)

Frame: 143TC–449TC

# General Purpose

## C-Flange/Round Body — Heavy Duty Cast Iron

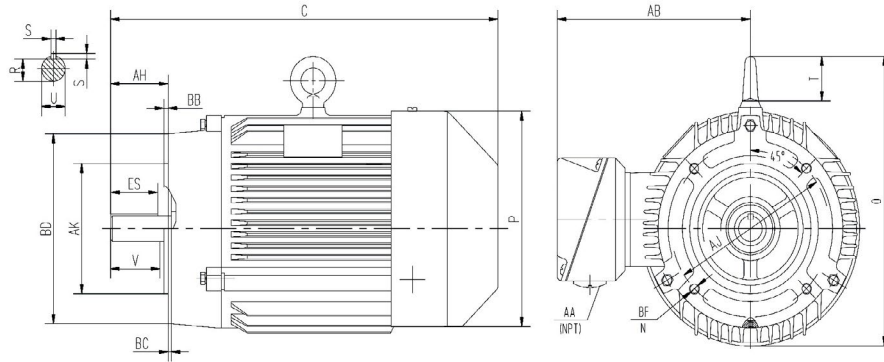


Diagram K

HP	RPM	Model Number	Frame	Motor Dimension									Flange		Shaft			Keyway			AA	Diagram
				C	D	E	2F1	2F2	J	O	P	AJ	N-W	U	R	S	ES					
1	1800	PE143TC-1-4-RB-AI	143TC	14.2	0	0	0	0	0	0	0	8.2	5.88	2.25	0.875	0.771	0.189	1.42	0.75	K		
1.5	1800	PE145TC-1.5-4-RB-AI	145TC	14.2	0	0	0	0	0	0	8.2	5.88	2.25	0.875	0.771	0.189	1.42	0.75	K			
2	1800	PE145TC-2-4-RB-AI	145TC	14.2	0	0	0	0	0	0	8.2	5.88	2.25	0.875	0.771	0.189	1.42	0.75	K			
3	1800	PE182TC-3-4-RB-AI	182TC	16.8	0	0	0	0	0	0	10.4	7.25	2.75	1.125	0.986	0.250	1.78	1.00	K			
5	1800	PE184TC-5-4-RB-AI	184TC	16.8	0	0	0	0	0	0	10.4	7.25	2.75	1.125	0.986	0.250	1.78	1.00	K			
7.5	1800	PE213TC-7.5-4-RB-AI	213TC	20.7	0	0	0	0	0	0	11.7	7.25	3.38	1.375	1.201	0.312	2.41	1.00	K			
10	1800	PE215TC-10-4-RB-AI	215TC	20.7	0	0	0	0	0	0	11.7	7.25	3.38	1.375	1.201	0.312	2.41	1.00	K			
15	1800	PE254TC-15-4-RB-AI	254TC	25.7	0	0	0	0	0	0	14	7.25	4	1.625	1.416	0.375	2.91	1.25	K			
20	1800	PE256TC-20-4-RB-AI	256TC	25.7	0	0	0	0	0	0	14	7.25	4	1.625	1.416	0.375	2.91	1.25	K			
25	1800	PE284TC-25-4-RB-AI	284TC	28.8	0	0	0	0	0	0	15.7	9	4.62	1.875	1.591	0.500	3.28	1.50	K			
30	1800	PE286TC-30-4-RB-AI	286TC	28.8	0	0	0	0	0	0	15.7	9	4.62	1.875	1.591	0.500	3.28	1.50	K			

GENERAL PURPOSE MOTORS

SPECIAL PURPOSE MOTORS

ACCESSORIES

APPENDIX



**Phases and HP:** 3-Phase, 1–300 HP  
**Enclosure:** Open drip proof (ODP)  
**Frame:** 143T–449T

**Inverter duty:** (20:1 VT; 10:1 CT)  
**Rolled Steel—Design B:** 1–20HP  
**Cast Iron:** 15–300 HP

# General Purpose

## Open Drip Proof — Heavy Duty Cast Iron

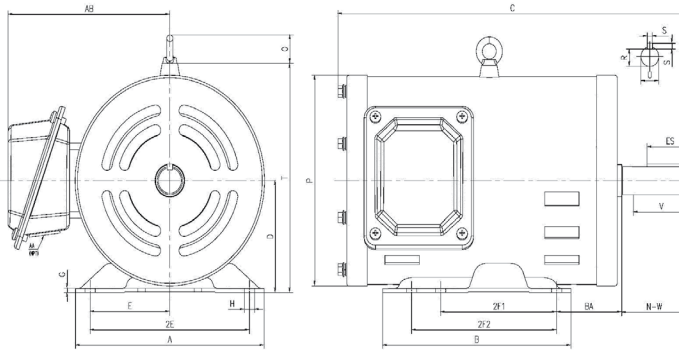


Diagram L

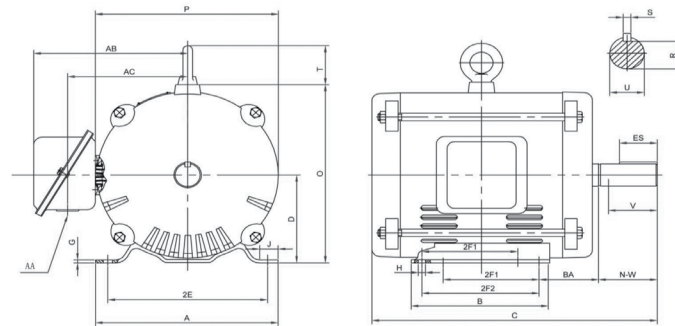


Diagram M

HP	RPM	Model Number	Frame	Motor Dimension								Flange	Shaft			Keyway			AA	Diagram
				C	D	E	2F1	2F2	J	O	P	AJ	N-W	U	R	S	ES			
1	1800	PE143T-1-4-ODP	143T	11.2	3.5	2.75	4	5	0	6.8	6.5	0	2.25	0.875	0.771	0.188	1.41	0.86	L	
	3600	PE143T-1.5-2-ODP	143T	11.22	3.5	2.75	4	5	0	6.8	6.5	0	2.25	0.875	0.771	0.188	1.41	0.86	L	
1.5	1800	PE145T-1.5-4-ODP	145T	12	3.5	2.75	4	5	0	6.8	6.5	0	2.25	0.875	0.771	0.188	1.41	0.86	L	
	3600	PE145T-2-2-ODP	145T	12	3.5	2.75	4	5	0	6.8	6.5	0	2.25	0.875	0.771	0.188	1.41	0.86	L	
2	1800	PE145T-2-4-ODP	145T	12	3.5	2.75	4	5	0	6.8	6.5	0	2.25	0.875	0.771	0.188	1.41	0.86	L	
	3600	PE145T-3-2-ODP	145T	12	3.5	2.75	4	5	0	6.8	6.5	0	2.25	0.875	0.771	0.188	1.41	0.86	L	
3	1800	PE182T-3-4-ODP	182T	14.1	4.5	3.75	4.5	5.5	0	9.5	8.6	0	2.75	1.125	0.986	0.25	1.78	0.86	L	
	3600	PE182T-5-2-ODP	182T	14.1	4.5	3.75	4.5	5.5	0	9.5	8.6	0	2.75	1.125	0.986	0.25	1.78	0.86	L	
5	1800	PE184T-5-4-ODP	184T	14.9	4.5	3.75	4.5	5.5	0	9.5	8.6	0	2.75	1.125	0.986	0.25	1.78	0.86	L	
	3600	PE184T-7.5-2-ODP	184T	14.9	4.5	3.75	4.5	5.5	0	9.5	8.6	0	2.75	1.125	0.986	0.25	1.78	0.86	L	
7.5	1800	PE213T-7.5-4-ODP	213T	16.5	5.25	4.25	5.5	7	0	11.2	10.1	0	3.38	1.375	1.201	0.312	2.41	0.86	L	
	3600	PE213T-10-2-ODP	213T	16.54	5.25	4.25	5.5	7	0	11.2	10.1	0	3.38	1.375	1.201	0.312	2.41	0.86	L	
10	1800	PE215T-10-4-ODP	215T	17.5	5.25	4.25	5.5	7	0	11.2	10.1	0	3.38	1.375	1.201	0.312	2.41	0.86	L	
	3600	PE215T-15-2-ODP	215T	17.52	5.25	4.25	5.5	7	0	11.2	10.1	0	3.38	1.375	1.201	0.312	2.41	0.86	L	
15	1800	PE254T-15-4-ODP	254T	22.2	6.25	5	8.3	10	0	13	12.9	0	4	1.625	1.416	0.375	2.91	1.25	L	
	3600	PE254T-20-2-ODP	254T	22.2	6.25	5	8.3	10	0	13	12.9	0	4	1.625	1.416	0.375	2.91	1.25	L	
20	1800	PE256T-20-4-ODP	256T	22.15	6.25	5	8.3	10	0	13	12.9	0	4	1.625	1.416	0.375	2.91	1.25	L	
	3600	PE256T-25-2-ODP	256T	22.15	6.25	5	8.3	10	0	13	12.9	0	4	1.625	1.416	0.375	2.91	1.25	L	
25	1800	PE284T-25-4-ODP	284T	24.8	7	5.5	9.5	11	0	14.3	14	0	4.62	1.875	1.591	0.5	3.28	1.5	L	
	3600	PE284TS-30-2-ODP	284TS	23.43	7	5.5	9.5	11	0	14.3	14	0	3.25	1.625	1.416	0.375	1.91	1.5	L	
30	1800	PE286T-30-4-ODP	286T	24.8	7	5.5	9.5	11	0	14.3	14	0	4.62	1.875	1.591	0.5	3.28	1.5	L	



**Phases and HP:** 3-Phase, 1–300 HP  
**Enclosure:** Open drip proof (ODP)  
**Frame:** 143T–449T

**Inverter duty:** (20:1 VT; 10:1 CT)  
**Rolled Steel–Design B:** 1–20HP  
**Cast Iron:** 15–300 HP

# General Purpose

## Open Drip Proof — Heavy Duty Cast Iron

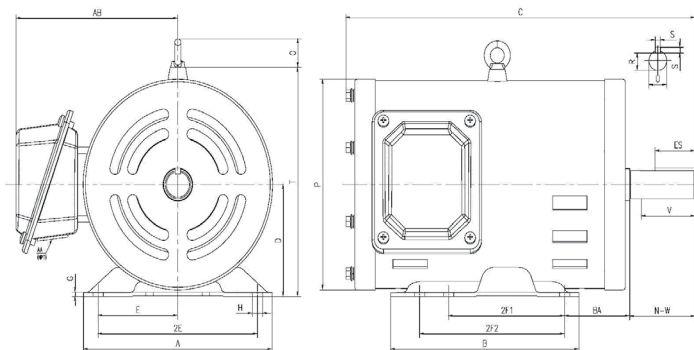


Diagram L

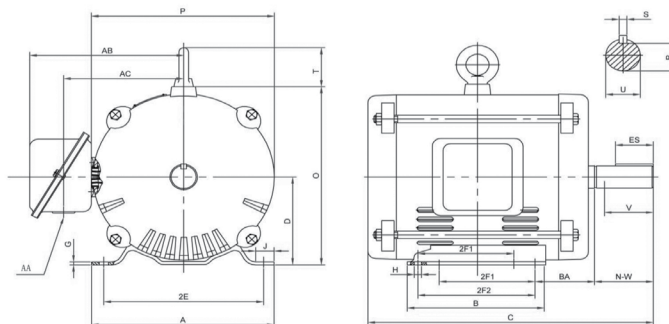


Diagram M

HP	RPM	Model Number	Frame	Motor Dimension								Flange	Shaft			Keyway			AA	Diagram
				C	D	E	2F1	2F2	J	O	P	AJ	N-W	U	R	S	ES			
40	3600	PE286TS-40-2-ODP	286TS	23.43	7	5.5	9.5	11	0	14.3	14	0	3.25	1.625	1.416	0.375	1.91	1.5	L	
	1800	PE324T-40-4-ODP	324T	27.1	8	6.25	10.5	12	0	16.1	15.4	0	5.25	2.125	1.845	0.5	3.91	2	L	
		PE324TS-40-4-ODP	324TS	25.6	8	6.25	10.5	12	0	16.1	15.4	0	3.75	1.875	1.591	0.5	2.03	2	L	
50	3600	PE324TS-50-2-ODP	324TS	25.6	8	6.25	10.5	12	0	16.1	15.4	0	3.75	1.875	1.591	0.5	2.03	2	L	
	1800	PE326T-50-4-ODP	326T	27.1	8	6.25	10.5	12	0	16.1	15.4	0	5.25	2.125	1.845	0.5	3.91	2	L	
		PE326TS-50-4-ODP	326TS	25.6	8	6.25	10.5	12	0	16.1	15.4	0	3.75	1.875	1.591	0.5	2.03	2	L	
60	3600	PE326TS-60-2-ODP	326TS	25.6	8	6.25	10.5	12	0	16.1	15.4	0	3.75	1.875	1.591	0.5	2.03	2	L	
	1800	PE364T-60-4-ODP	364T	29.3	9	7	11.3	12.3	0	18.1	17.2	0	5.88	2.375	2.021	0.625	4.28	3	L	
		PE364TS-60-4-ODP	364TS	27.17	9	7	11.3	12.3	0	18.1	17.2	0	3.75	1.875	1.591	0.5	2.03	3	L	
75	3600	PE364TS-75-2-ODP	364TS	27.2	9	7	11.3	12.3	0	18.1	17.2	0	3.75	1.875	1.591	0.5	2.03	3	L	
	1800	PE365T-75-4-ODP	365T	29.3	9	7	11.3	12.3	0	18.1	17.2	0	5.88	2.375	2.021	0.625	4.28	3	L	
		PE365TS-75-4-ODP	365TS	27.2	9	7	11.3	12.3	0	18.1	17.2	0	3.75	1.875	1.591	0.5	2.03	3	L	
100	1800	PE404T-100-4-BB-ODP	404T	0	10	8	12.3	13.8	0	21	20.3	0	7.25	2.875	2.45	0.75	5.65	3	L	
	3600	PE365TS-100-2-ODP	365TS	27.17	9	7	11.3	12.3	0	18.1	17.2	0	3.75	1.875	1.591	0.5	2.03	3	L	
		PE404TS-100-4-ODP	404TS	33.3	10	8	12.3	13.8	0	21	20.3	0	7.25	2.875	2.45	0.75	5.65	3	L	
	1800	PE404TS-100-4-ODP	404TS	30.3	10	8	12.3	13.8	0	21	20.3	0	4.25	2.125	1.845	0.5	2.78	3	L	
125	3600	PE404TS-125-2-ODP	404TS	30.3	10	8	12.3	13.8	0	21	20.3	0	4.25	2.125	1.845	0.5	2.78	3	L	
		PE405T-125-4-BB-ODP	405T	33.3	10	8	12.3	13.8	0	21	20.3	0	7.25	2.875	2.45	0.75	5.65	3	L	
	1800	PE405T-125-4-ODP	405T	33.3	10	8	12.3	13.8	0	21	20.3	0	7.25	2.875	2.45	0.75	5.65	3	L	
		PE405TS-125-4-ODP	405TS	30.3	10	8	12.3	13.8	0	21	20.3	0	4.25	2.125	1.845	0.5	2.78	3	L	



**Phases and HP:** 3-Phase, 1–300 HP

**Enclosure:** Open drip proof (ODP)

**Frame:** 143T–449T

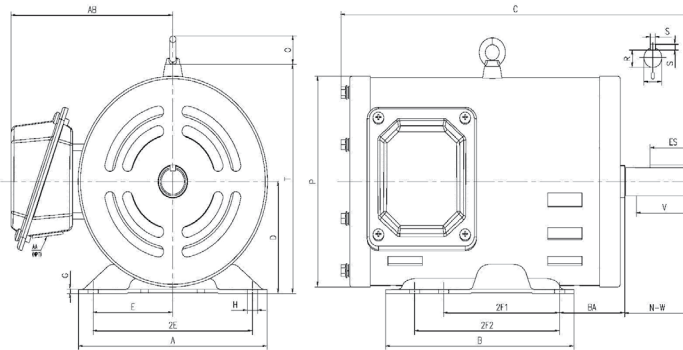
**Inverter duty:** (20:1 VT; 10:1 CT)

**Rolled Steel–Design B:** 1–20HP

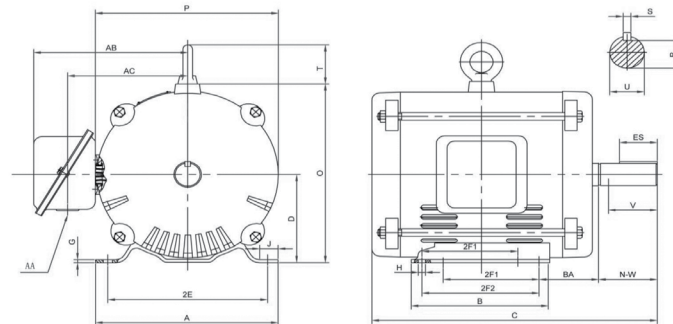
**Cast Iron:** 15–300 HP

# General Purpose

## Open Drip Proof — Heavy Duty Cast Iron



**Diagram L**



**Diagram M**

HP	RPM	Model Number	Frame	Motor Dimension								Flange	Shaft			Keyway			AA	Diagram
				C	D	E	2F1	2F2	J	O	P		AJ	N-W	U	R	S	ES		
150	3600	PE405TS-150-2-ODP	405TS	30.3	10	8	12.3	13.8	0	21	20.3	0	4.25	2.125	1.845	0.5	2.78	3	L	
		PE444T-150-4-BB-ODP	444T	39.5	11	9	14.5	16.5	0	22.6	23.3	0	8.5	3.375	2.88	0.875	6.91	3	L	
	1800	PE444T-150-4-ODP	444T	39.5	11	9	14.5	16.5	0	22.6	23.3	0	8.5	3.375	2.88	0.875	6.91	3	L	
		PE444TS-150-4-ODP	444TS	34.8	11	9	14.5	16.5	0	22.6	23.3	0	4.75	2.375	2.021	0.625	3.03	3	L	
200	3600	PE444TS-200-2-ODP	444TS	34.75	11	9	14.5	16.5	0	22.6	23.3	0	4.75	2.375	2.021	0.625	3.03	3	L	
		PE445T-200-4-BB-ODP	445T	39.5	11	9	14.5	16.5	0	22.6	23.3	0	8.5	3.375	2.88	0.875	6.91	3	L	
	1800	PE445T-200-4-ODP	445T	39.5	11	9	14.5	16.5	0	22.6	23.3	0	8.5	3.375	2.88	0.875	6.91	3	L	
		PE445TS-200-4-ODP	445TS	34.8	11	9	14.5	16.5	0	22.6	23.3	0	4.75	2.375	2.021	0.625	3.03	3	L	
250	3600	PE445TS-250-2-ODP	445TS	34.75	11	9	14.5	16.5	0	22.6	23.3	0	4.75	2.375	2.021	0.625	3.03	3	L	
	1800	PE447T-250-4-ODP	447T	43	11	9	0	20	0	22.6	23.3	0	8.5	3.375	2.88	0.875	6.91	3	L	
300	3600	PE447TS-300-2-ODP	447TS	38.25	11	9	0	20	0	22.6	23.3	0	4.75	2.375	2.021	0.625	3.03	3	L	
	1800	PE449T-300-4-ODP	449T	48	11	9	0	25	0	22.6	23.3	0	8.5	3.375	2.88	0.875	6.91	3	L	



**Phases and HP:** Single Phase, 3–5 HP  
**Enclosure:** Open drip proof (ODP)  
**Frame:** 56H–184T

# Special Purpose Compressor Duty — Rolled Steel

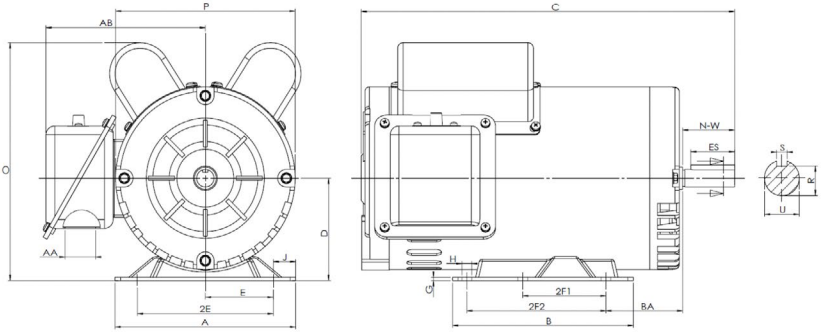


Diagram F

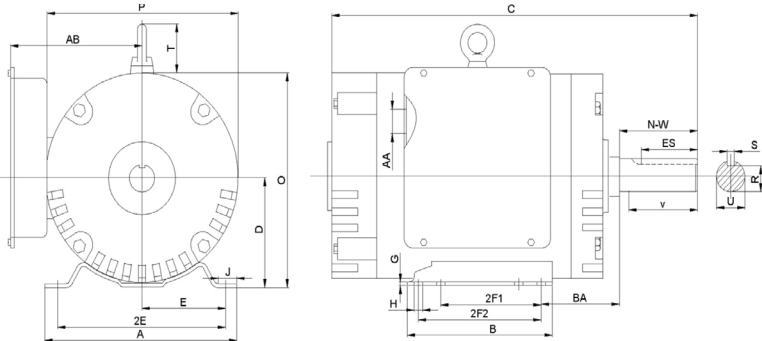


Diagram G

HP	RPM	Model Number	Frame	Motor Dimension								Flange	Shaft		Keyway			AA	Diagram
				C	D	E	2F1	2F2	J	O	P		AJ	N-W	U	R	S		
3	1800	D182T3S4C	182T	15.75	4.5	3.75	4.5	5.5	0.95	9.2	8.5	0	2.75	1.125	0.986	0.25	1.78	1.1	G
		D56H5S2C-MO	56H	13.4	3.5	2.44	3	5	0.81	8.4	6.5	0	1.88	0.625	0.517	0.188	1.41	1.1	F
5	3600	D56HZ5S2C-MO	56HZ	13.4	3.5	2.44	3	5	0.81	8.5	6.5	0	1.88	0.875	0.771	0.188	1.41	1.1	F
		D184T5S4C	184T	15.75	4.5	3.75	4.5	5.5	0.95	9.2	8.5	0	2.75	1.125	0.986	0.25	1.78	1.1	G

GENERAL PURPOSE MOTORS

SPECIAL PURPOSE MOTORS

ACCESSORIES

APPENDIX



**Phases and HP:** 3-Phase, 1–600 HP

**Enclosure:** Totally enclosed fan cooled (TEFC)

**Frame:** 143T–586/7UZ

**Inverter duty:** 1–300 HP

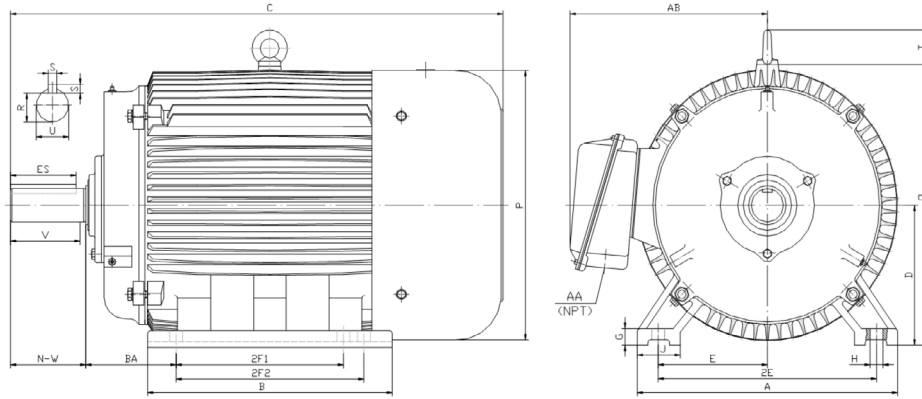
(20:1 VT; 10:1 CT)

**Inverter rated:** 250–600 HP

(10:1 VT; 5:1 CT)

# Crusher Duty

## Design C — Heavy Duty Cast Iron



**Diagram N**

HP	RPM	Model Number	Frame	Motor Dimension								Flange		Shaft			Keyway			AA	Diagram
				C	D	E	2F1	2F2	J	O	P	AJ	N-W	U	R	S	ES				
1	900	PE182T-1-8C	182T	15.1	4.5	3.75	4.5	0	2	9.1	8.7	0	2.75	1.125	0.986	0.25	1.78	0.75	N		
	1800	PE143T-1-4C	143T	13.6	3.5	2.75	4	5	1.4	7.1	7	0	2.25	0.875	0.771	0.188	1.41	0.75	N		
	1200	PE145T-1-6C	145T	14.6	3.5	2.75	4	5	1.4	7.1	7	0	2.25	0.875	0.771	0.188	1.41	0.75	N		
1.5	900	PE184T-1.5-8C	184T	16.1	4.5	3.75	4.5	5.5	2	9.1	8.7	0	2.75	1.125	0.986	0.25	1.78	0.75	N		
	1800	PE145T-1.5-4C	145T	14.6	3.5	2.75	4	5	1.4	7.1	7	0	2.25	0.875	0.771	0.188	1.41	0.75	N		
	1200	PE182T-1.5-6C	182T	16.1	4.5	3.75	4.5	5.5	2	9.1	8.7	0	2.75	1.125	0.986	0.25	1.78	0.75	N		
2	900	PE213T-2-8C	213T	18.9	5.25	4.25	5.5	0	2.4	10.5	10.2	0	3.38	1.375	1.201	0.312	2.41	1	N		
	1800	PE145T-2-4C	145T	14.6	3.5	2.75	4	5	1.4	7.1	7	0	2.25	0.875	0.771	0.188	1.41	0.75	N		
	1200	PE184T-2-6C	184T	17.1	4.5	3.75	4.5	5.5	2	9.1	8.7	0	2.75	1.125	0.986	0.25	1.78	0.75	N		
3	900	PE215T-3-8C	215T	20.4	5.25	4.25	5.5	7	2.4	10.5	10.2	0	3.38	1.375	1.201	0.312	2.41	1	N		
	1800	PE182T-3-4C	182T	16.1	4.5	3.75	4.5	5.5	2	9.1	8.7	0	2.75	1.125	0.986	0.25	1.78	0.75	N		
	1200	PE213T-3-6C	213T	18.9	5.25	4.25	5.5	0	2.4	11.2	11.6	0	3.38	1.375	1.201	0.312	2.41	1	N		
5	900	PE254T-5-8C	254T	23.2	6.25	5	8.3	0	2.75	13	12.4	0	4	1.625	1.416	0.375	2.91	1.25	N		
	1800	PE184T-5-4C	184T	17.1	4.5	3.75	4.5	5.5	2	9.1	8.7	0	2.75	1.125	0.986	0.25	1.78	0.75	N		
	1200	PE215T-5-6C	215T	20.4	5.25	4.25	5.5	7	2.4	11.2	11.6	0	3.38	1.375	1.201	0.312	2.41	1	N		
7.5	900	PE256T-7.5-8C	256T	25	6.25	5	8.3	10	2.75	13	12.4	0	4	1.625	1.416	0.375	2.91	1.25	N		
	1800	PE213T-7.5-4C	213T	18.9	5.25	4.25	5.5	0	2.4	10.5	10.2	0	3.38	1.375	1.201	0.312	2.41	1	N		
	1200	PE254T-7.5-6C	254T	23.2	6.25	5	8.3	0	2.75	13.2	12.8	0	4	1.625	1.416	0.375	2.91	1.25	N		
10	900	PE284T-10-8C	284T	26.6	7	5.5	9.5	0	2.75	14.5	14	0	4.62	1.875	1.591	0.5	3.28	1.5	N		
	1800	PE215T-10-4C	215T	20.4	5.25	4.25	5.5	7	2.4	10.5	10.2	0	3.38	1.375	1.201	0.312	2.41	1	N		
	1200	PE256T-10-6C	256T	25	6.25	5	8.3	10	2.75	13.2	12.8	0	4	1.625	1.416	0.375	2.91	1.25	N		
15	900	PE286T-15-8C	286T	28.1	7	5.5	9.5	11	2.75	14.5	14	0	4.62	1.875	1.591	0.5	3.28	1.5	N		
	1800	PE254T-15-4C	254T	23.2	6.25	5	8.3	0	2.75	13.2	12.8	0	4	1.625	1.416	0.375	2.91	1.25	N		
	1200	PE284T-15-6C	284T	26.6	7	5.5	9.5	0	2.75	14.5	14	0	4.62	1.875	1.591	0.5	3.28	1.5	N		
20	900	PE324T-20-8C	324T	29.8	8	6.25	10.5	0	2.75	15.9	15.7	0	5.25	2.125	1.845	0.5	3.91	2	N		
	1800	PE256T-20-4C	256T	25	6.25	5	8.3	10	2.75	13.2	12.8	0	4	1.625	1.416	0.375	2.91	1.25	N		
	1200	PE286T-20-6C	286T	28.1	7	5.5	9.5	11	2.75	14.5	14	0	4.62	1.875	1.591	0.5	3.28	1.5	N		
25	900	PE326T-25-8C	326T	31.3	8	6.25	10.5	12	2.75	15.9	15.7	0	5.25	2.125	1.845	0.5	3.91	2	N		
	1800	PE284T-25-4C	284T	26.6	7	5.5	9.5	0	2.75	14.5	14	0	4.62	1.875	1.591	0.5	3.28	1.5	N		
	1200	PE324T-25-6C	324T	29.8	8	6.25	10.5	0	2.75	15.9	15.7	0	5.25	2.125	1.845	0.5	3.91	2	N		
30	900	PE364T-30-8C	364T	32.5	9	7	11.3	0	2.95	18.1	17.6	0	5.88	2.375	2.021	0.625	4.28	3	N		
	1800	PE286T-30-4C	286T	28.1	7	5.5	9.5	11	2.75	14.5	14	0	4.62	1.875	1.591	0.5	3.28	1.5	N		
	1200	PE326T-30-6C	326T	31.3	8	6.25	10.5	12	2.75	15.9	15.7	0	5.25	2.125	1.845	0.5	3.91	2	N		
40	900	PE365T-40-8C	365T	33.5	9	7	11.3	12.3	2.95	18.1	17.6	0	5.88	2.375	2.021	0.625	4.28	3	N		
	1800	PE324T-40-4C	324T	29.8	8	6.25	10.5	0	2.75	15.9	15.7	0	5.25	2.125	1.845	0.5	3.91	2	N		
	1200	PE364T-40-6C	364T	32.5	9	7	11.3	0	2.95	18.5	18.4	0	5.88	2.375	2.021	0.625	4.28	3	N		

GENERAL PURPOSE MOTORS

SPECIAL PURPOSE MOTORS

ACCESSORIES

APPENDIX



**Phases and HP:** 3-Phase, 1–600 HP

**Enclosure:** Totally enclosed fan cooled (TEFC)

**Frame:** 143T–586/7UZ

**Inverter duty:** 1–300 HP

(20:1 VT; 10:1 CT)

**Inverter rated:** 250–600 HP

(10:1 VT; 5:1 CT)

# Crusher Duty

## Design C — Heavy Duty Cast Iron

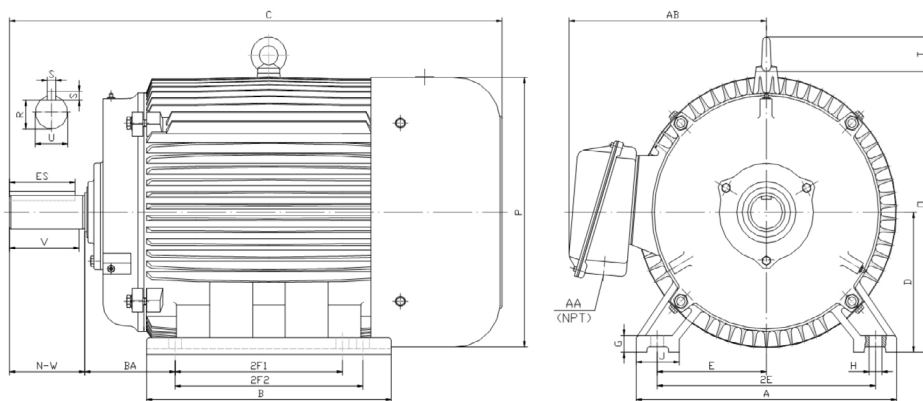


Diagram N

HP	RPM	Model Number	Frame	Motor Dimension										Flange		Shaft			Keyway			AA	Diagram
				C	D	E	2F1	2F2	J	O	P	AJ	N-W	U	R	S	ES						
50	900	PE404T-50-8C	404T	36.5	10	8	12.3	0	3.15	19.8	19.1	0	7.25	2.875	2.45	0.75	5.65	3	N				
	1800	PE326T-50-4C	326T	31.3	8	6.25	10.5	12	2.75	15.9	15.7	0	5.25	2.125	1.845	0.5	3.91	2	N				
	1200	PE365T-50-6C	365T	33.5	9	7	11.3	12.3	2.95	18.5	18.4	0	5.88	2.375	2.021	0.625	4.28	3	N				
60	900	PE405T-60-8C	405T	38	10	8	12.3	13.8	3.15	19.8	19.1	0	7.25	2.875	2.45	0.75	5.65	3	N				
	1800	PE364T-60-4C	364T	32.5	9	7	11.3	0	2.95	18.5	18.4	0	5.88	2.375	2.021	0.625	4.28	3	N				
	1200	PE404T-60-6C	404T	38	10	8	12.3	13.8	3.15	21.1	21.6	0	7.25	2.875	2.45	0.75	5.65	3	N				
75	900	PE444T-75-8C	444T	44.3	11	9	14.5	16.5	3.35	22.1	21.6	0	8.5	3.375	2.88	0.875	6.91	3	N				
	1800	PE365T-75-4C	365T	33.5	9	7	11.3	12.3	2.95	18.5	18.4	0	5.88	2.375	2.021	0.625	4.28	3	N				
	1200	PE405T-75-6C	405T	38	10	8	12.3	13.8	3.15	21.1	21.6	0	7.25	2.875	2.45	0.75	5.65	3	N				
100	900	PE445T-100-8C	445T	44.3	11	9	14.5	16.5	3.35	22.1	21.6	0	8.5	3.375	2.88	0.875	6.91	3	N				
	1800	PE405T-100-4C	405T	40	10	8	12.3	13.8	3.15	21.1	21.6	0	7.25	2.875	2.45	0.75	5.65	3	N				
	1200	PE444T-100-6C	444T	44.3	11	9	14.5	16.5	3.35	23	23.4	0	8.5	3.375	2.88	0.875	6.91	3	N				
125	900	PE447T-125-8C	447T	47.8	11	9	16.5	20	3.35	23	23.4	0	8.5	3.375	2.88	0.875	6.91	3	N				
	1800	PE444T-125-4C	444T	44.3	11	9	14.5	16.5	3.35	22.1	21.6	0	8.5	3.375	2.88	0.875	6.91	3	N				
	1200	PE445T-125-6C	445T	44.3	11	9	14.5	16.5	3.35	23	23.4	0	8.5	3.375	2.88	0.875	6.91	3	N				
150	900	PE449T-150-8C	449T	52.8	11	9	20	25	3.35	22.1	21.6	0	8.5	3.375	2.88	0.875	6.91	3	N				
	1800	PE445T-150-4C	445T	44.3	11	9	14.5	16.5	3.35	23	23.4	0	8.5	3.375	2.88	0.875	6.91	3	N				
	1200	PE447T-150-6C	447T	47.8	11	9	16.5	20	3.35	23	23.4	0	8.5	3.375	2.88	0.875	6.91	3	N				
200	1800	PE447T-200-4C	447T	47.8	11	9	16.5	20	3.35	23	23.4	0	8.5	3.375	2.88	0.875	6.91	3	N				
	1200	PE449T-200-6C	449T	52.8	11	9	20	25	3.35	23	23.4	0	8.5	3.375	2.88	0.875	6.91	3	N				
	900	PE449T-250-4C	449T	52.8	11	9	20	25	3.35	23	23.4	0	8.5	3.375	2.88	0.875	6.91	3	N				
250	1800	PE449T-250-4C	449T	52.8	11	9	20	25	3.35	23	23.4	0	8.5	3.375	2.88	0.875	6.91	3	N				
	1200	PE505UZ-250-4C	505UZ	62.6	12.5	10	16	18	4.8	26.6	24.3	0	11.625	3.875	3.309	1	10	3	N				
	900	PE505UZ-250-6C	505UZ	62.6	12.5	10	16	18	4.8	26.6	24.3	0	11.625	3.875	3.309	1	10	3	N				
300	1800	PE449T-300-4C	449T	52.8	11	9	20	25	3.35	23	23.4	0	8.5	3.375	2.88	0.875	6.91	3	N				
	1200	PE505UZ-300-4C	505UZ	62.6	12.5	10	16	18	4.8	26.6	24.3	0	11.625	3.875	3.309	1	10	3	N				
	900	PE449T-300-6C	449T	52.8	11	9	20	25	3.35	23	23.4	0	8.5	3.375	2.88	0.875	6.91	3	N				
	1200	PE587UZ-300-6C	587UZ	71.7	14.5	11.5	22	25	5.51	41.4	33.1	0	11.625	4.375	3.817	1	10	2 X 3"	N				
350	1800	PE505UZ-350-4C	505UZ	62.6	12.5	10	16	18	4.8	26.6	24.3	0	11.625	3.875	3.309	1	10	3	N				
	1200	PE587UZ-350-4C	587UZ	71.7	14.5	11.5	22	25	5.51	41.4	33.1	0	11.625	4.375	3.817	1	10	2 X 3"	N				
	900	PE505UZ-350-6C	505UZ	62.6	12.5	10	16	18	4.8	26.6	24.3	0	11.625	3.875	3.309	1	10	3	N				
	1200	PE587UZ-350-6C	587UZ	71.7	14.5	11.5	22	25	5.51	41.4	33.1	0	11.625	4.375	3.817	1	10	2 X 3"	N				
400	1800	PE587UZ-400-4C	587UZ	71.65	14.5	11.5	22	25	5.51	41.4	33.1	0	11.625	4.375	3.817	1	10	2 X 3"	N				
	1200	PE587UZ-400-6C	587UZ	71.7	14.5	11.5	22	25	5.51	41.4	33.1	0	11.625	4.375	3.817	1	10	2 X 3"	N				



**Phases and HP:** 3-Phase, 1–600 HP

**Enclosure:** Totally enclosed fan cooled (TEFC)

**Frame:** 143T–586/7UZ

**Inverter duty:** 1–300 HP

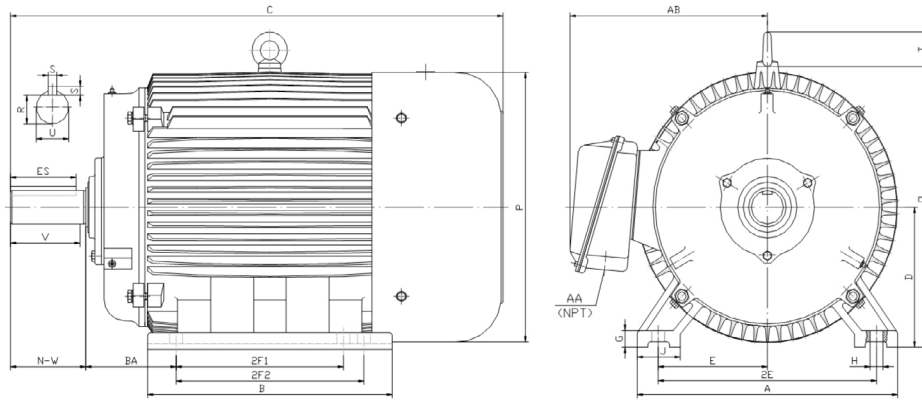
(20:1 VT; 10:1 CT)

**Inverter rated:** 250–600 HP

(10:1 VT; 5:1 CT)

# Crusher Duty

## Design C — Heavy Duty Cast Iron



**Diagram N**

HP	RPM	Model Number	Frame	Motor Dimension									Flange		Shaft			Keyway			AA	Diagram
				C	D	E	2F1	2F2	J	O	P	AJ	N-W	U	R	S	ES					
450	1800	PE587UZ-450-4C	587UZ	71.65	14.5	11.5	22	25	5.51	41.4	33.1	0	11.625	4.375	3.817	1	10	2 X 3"	N			
	1200	PE587UZ-450-6C	587UZ	71.7	14.5	11.5	22	25	5.51	41.4	33.1	0	11.625	4.375	3.817	1	10	2 X 3"	N			
500	1800	PE587UZ-500-4C	587UZ	71.65	14.5	11.5	22	25	5.51	41.4	33.1	0	11.625	4.375	3.817	1	10	2 X 3"	N			
	1200	PE587UZ-500-6C	587UZ	71.7	14.5	11.5	22	25	5.51	41.4	33.1	0	11.625	4.375	3.817	1	10	2 X 3"	N			
600	1800	PE587UZ-600-4C	587UZ	71.65	14.5	11.5	22	25	5.51	41.4	33.1	0	11.625	4.375	3.817	1	10	2 X 3"	N			

Phases and HP: 3-Phase, 1–300 HP

Inverter duty: 1–300 HP

Enclosure: Totally enclosed fan cooled (TEFC)

(20:1 VT; 10:1 CT)

Frame: 143TC–449TC

# Crusher Duty

## Design C - C-Flange w/Feet — Heavy Duty Cast Iron

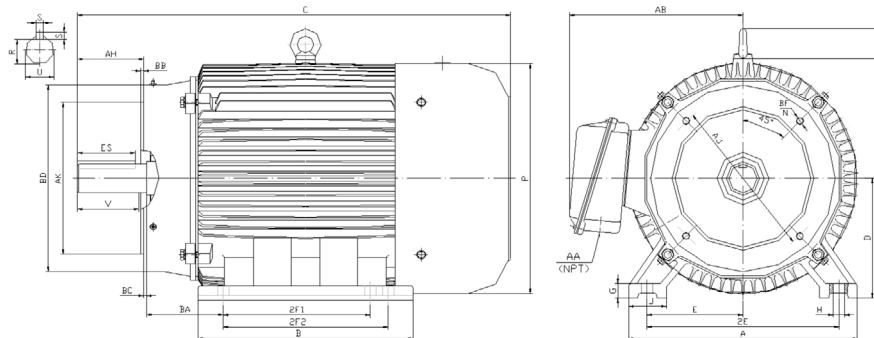


Diagram N-2

HP	RPM	Model Number	Frame	Motor Dimension								Flange		Shaft			Keyway			AA	Diagram
				C	D	E	2F1	2F2	J	O	P	AJ	N-W	U	R	S	ES				
1	1800	PE143TC-1-4C	143TC	13.6	3.5	2.75	4	5	1.4	7.1	7	5.875	2.25	0.875	0.771	0.188	1.41	0.75	N-2		
	1200	PE145TC-1-6C	145TC	14.6	3.5	2.75	4	5	1.4	7.1	7	5.875	2.25	0.875	0.771	0.188	1.41	0.75	N-2		
1.5	1800	PE145TC-1.5-4C	145TC	14.6	3.5	2.75	4	5	1.4	7.1	7	5.875	2.25	0.875	0.771	0.188	1.41	0.75	N-2		
	1200	PE182TC-1.5-6C	182TC	16.1	4.5	3.75	4.5	5.5	2	9.1	8.7	7.25	2.75	1.125	0.986	0.25	1.78	0.75	N-2		
2	1800	PE145TC-2-4C	145TC	14.6	3.5	2.75	4	5	1.4	7.1	7	5.875	2.25	0.875	0.771	0.188	1.41	0.75	N-2		
	1200	PE184TC-2-6C	184TC	17.1	4.5	3.75	4.5	5.5	2	9.1	8.7	7.25	2.75	1.125	0.986	0.25	1.78	0.75	N-2		
3	1800	PE182TC-3-4C	182TC	16.1	4.5	3.75	4.5	5.5	2	9.1	8.7	7.25	2.75	1.125	0.986	0.25	1.78	0.75	N-2		
	1200	PE213TC-3-6C	213TC	18.9	5.25	4.25	5.5	0	2.4	11.2	11.6	7.25	3.38	1.375	1.201	0.312	2.41	1	N-2		
5	1800	PE184TC-5-4C	184TC	17.1	4.5	3.75	4.5	5.5	2	9.1	8.7	7.25	2.75	1.125	0.986	0.25	1.78	0.75	N-2		
	1200	PE215TC-5-6C	215TC	20.4	5.25	4.25	5.5	7	2.4	11.2	11.6	7.25	3.38	1.375	1.201	0.312	2.41	1	N-2		
7.5	1800	PE213TC-7.5-4C	213TC	18.9	5.25	4.25	5.5	0	2.4	10.5	10.2	7.25	3.38	1.375	1.201	0.312	2.41	1	N-2		
	1200	PE254TC-7.5-6C	254TC	23.2	6.25	5	8.3	0	2.75	13	12.8	7.25	4	1.625	1.416	0.375	2.91	1.25	N-2		
10	1800	PE215TC-10-4C	215TC	20.4	5.25	4.25	5.5	7	2.4	10.5	10.2	7.25	3.38	1.375	1.201	0.312	2.41	1	N-2		
	1200	PE256TC-10-6C	256TC	25	6.25	5	8.3	10	2.75	13	12.8	7.25	4	1.625	1.416	0.375	2.91	1.25	N-2		
15	1800	PE254TC-15-4C	254TC	23.2	6.25	5	8.3	0	2.75	13	12.8	7.25	4	1.625	1.416	0.375	2.91	1.25	N-2		
	1200	PE284TC-15-6C	284TC	26.6	7	5.5	9.5	0	2.75	14.5	14	9	4.62	1.875	1.591	0.5	3.28	1.5	N-2		
20	1800	PE256TC-20-4C	256TC	25	6.25	5	8.3	10	2.75	13	12.8	7.25	4	1.625	1.416	0.375	2.91	1.25	N-2		
	1200	PE286TC-20-6C	286TC	28.1	7	5.5	9.5	11	2.75	14.5	14	9	4.62	1.875	1.591	0.5	3.28	1.5	N-2		
25	1800	PE284TC-25-4C	284TC	26.6	7	5.5	9.5	0	2.75	14.5	14	9	4.62	1.875	1.591	0.5	3.28	1.5	N-2		
	1200	PE324TC-25-6C	324TC	29.8	8	6.25	10.5	0	2.75	15.9	15.7	11	5.25	2.125	1.845	0.5	3.91	2	N-2		
30	1800	PE286TC-30-4C	286TC	28.1	7	5.5	9.5	11	2.75	14.5	14	9	4.62	1.875	1.591	0.5	3.28	1.5	N-2		
	1200	PE326TC-30-6C	326TC	31.3	8	6.25	10.5	12	2.75	15.9	15.7	11	5.25	2.125	1.845	0.5	3.91	2	N-2		
40	1800	PE324TC-40-4C	324TC	29.8	8	6.25	10.5	0	2.75	15.9	15.7	11	5.25	2.125	1.845	0.5	3.91	2	N-2		
	1200	PE364TC-40-6C	364TC	32.5	9	7	11.3	0	2.95	18.5	18.4	11	5.88	2.375	2.021	0.625	4.28	3	N-2		
50	1800	PE326TC-50-4C	326TC	31.3	8	6.25	10.5	12	2.75	15.9	15.7	11	5.25	2.125	1.845	0.5	3.91	2	N-2		
	1200	PE365TC-50-6C	365TC	33.5	9	7	11.3	12.3	2.95	18.5	18.4	11	5.88	2.375	2.021	0.625	4.28	3	N-2		
60	1800	PE364TC-60-4C	364TC	32.5	9	7	11.3	0	2.95	18.5	18.4	11	5.88	2.375	2.021	0.625	4.28	3	N-2		
	1200	PE404TC-60-6C	404TC	38	10	8	12.3	13.8	3.15	21.1	21.6	11	7.25	2.875	2.45	0.75	5.65	3	N-2		
75	1800	PE365TC-75-4C	365TC	33.5	9	7	11.3	12.3	2.95	18.5	18.4	11	5.88	2.375	2.021	0.625	4.28	3	N-2		
	1200	PE405TC-75-6C	405TC	38	10	8	12.3	13.8	3.15	21.1	21.6	11	7.25	2.875	2.45	0.75	5.65	3	N-2		
100	1800	PE405TC-100-4C	405TC	38	10	8	12.3	13.8	3.15	21.1	21.6	11	7.25	2.875	2.45	0.75	5.65	3	N-2		
	1200	PE444TC-100-6C	444TC	44.3	11	9	14.5	16.5	3.35	23	23.4	14	8.5	3.375	2.88	0.875	6.91	3	N-2		
125	1800	PE444TC-125-4C	444TC	44.3	11	9	14.5	16.5	3.35	22.1	21.6	14	8.5	3.375	2.88	0.875	6.91	3	N-2		
	1200	PE445TC-125-6C	445TC	44.3	11	9	14.5	16.5	3.35	23	23.4	14	8.5	3.375	2.88	0.875	6.91	3	N-2		
150	1800	PE445TC-150-4C	445TC	44.3	11	9	14.5	16.5	3.35	23	23.4	14	8.5	3.375	2.88	0.875	6.91	3	N-2		
	1200	PE447TC-150-6C	447TC	47.8	11	9	16.5	20	3.35	23	23.4	14	8.5	3.375	2.88	0.875	6.91	3	N-2		



**Phases and HP:** 3-Phase, 1–300 HP

**Inverter duty:** 1–300 HP

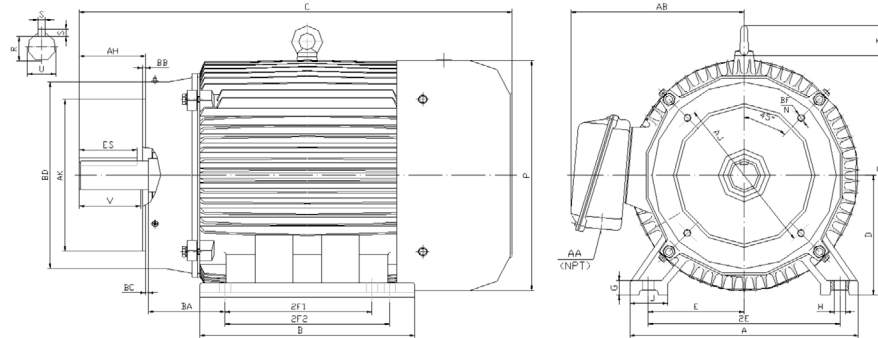
**Enclosure:** Totally enclosed fan cooled (TEFC)

(20:1 VT; 10:1 CT)

**Frame:** 143TC–449TC

# Crusher Duty

Design C - C-Flange w/Feet — Heavy Duty Cast Iron



**Diagram N-2**

HP	RPM	Model Number	Frame	Motor Dimension									Flange		Shaft			Keyway			AA	Diagram
				C	D	E	2F1	2F2	J	O	P	AJ	N-W	U	R	S	ES					
200	1800	PE447TC-200-4C	447TC	47.8	11	9	16.5	20	3.35	23	23.4	14	8.5	3.375	2.88	0.875	6.91	3	N-2			
	1200	PE449TC-200-6C	449TC	52.8	11	9	20	25	3.35	23	23.4	14	8.5	3.375	2.88	0.875	6.91	3	N-2			
250	1800	PE449TC-250-4C	449TC	52.8	11	9	20	25	3.35	23	23.4	14	8.5	3.375	2.88	0.875	6.91	3	N-2			
	1200	PE449TC-250-6C	449TC	52.8	11	9	20	25	3.35	23	23.4	14	8.5	3.375	2.88	0.875	6.91	3	N-2			
300	1800	PE449TC-300-4C	449TC	52.8	11	9	20	25	3.35	23	23.4	14	8.5	3.375	2.88	0.875	6.91	3	N-2			
	1200	PE449TC-300-6C	449TC	52.8	11	9	20	25	3.35	23	23.4	14	8.5	3.375	2.88	0.875	6.91	3	N-2			

GENERAL PURPOSE MOTORS

SPECIAL PURPOSE MOTORS

ACCESSORIES

APPENDIX





Phases and HP: 3-Phase, .33–20 HP

Inverter duty: (20:1 VT; 10:1 CT)

Enclosure: Totally enclosed fan cooled (TEFC)

Frame: 56C–256TC

# Washdown Duty

## C-Flange — Round Conduit Box — Stainless Steel

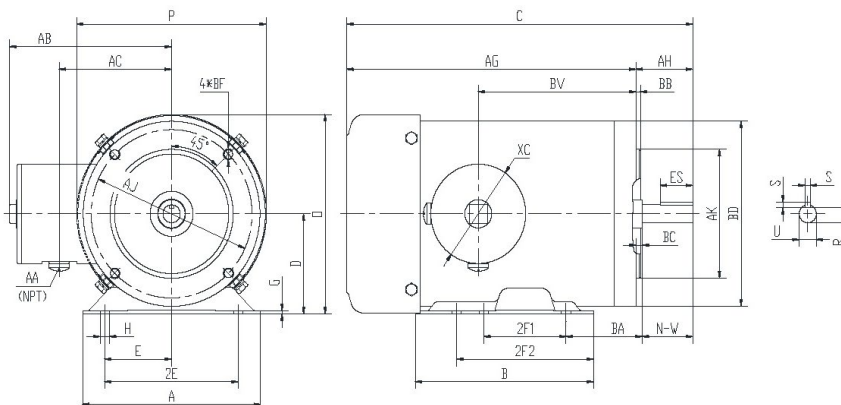


Diagram O

HP	RPM	Model Number	Frame	Motor Dimension							Flange		Shaft			Keyway			AA	Diagram
				C	D	E	2F1	2F2	J	O	P	AJ	N-W	U	R	S	ES			
0.33	3600	SS56C1/3M-2-A	56C	11.59	3.5	2.44	3	0	0	0	6.95	5.875	1.88	0.625	0.517	0.188	1.41	0.5	0	
	1800	SS56C1/3M-4-A	56C	11.59	3.5	2.44	3	0	0	0	6.95	5.875	1.88	0.625	0.517	0.188	1.41	0.5	0	
0.5	3600	SS56C1/2M-2-A	56C	11.59	3.5	2.44	3	0	0	0	6.95	5.875	1.88	0.625	0.517	0.188	1.41	0.5	0	
	1800	SS56C1/2M-4-A	56C	11.59	3.5	2.44	3	0	0	0	6.95	5.875	1.88	0.625	0.517	0.188	1.41	0.5	0	
0.75	1200	SS56C1/2M-6-A	56C	11.59	3.5	2.44	3	0	0	0	6.95	5.875	1.88	0.625	0.517	0.188	1.41	0.5	0	
	3600	SS56C3/4M-2-A	56C	12.57	3.5	2.44	3	0	0	0	6.95	5.875	1.88	0.625	0.517	0.188	1.41	0.5	0	
1	1800	SS56C3/4M-4-A	56C	12.57	3.5	2.44	3	0	0	0	6.95	5.875	1.88	0.625	0.517	0.188	1.41	0.5	0	
	1200	SS56C3/4M-6-A	56C	12.57	3.5	2.44	3	0	0	0	6.95	5.875	1.88	0.625	0.517	0.188	1.41	0.5	0	
1	3600	PESS56C1M-2-A	56C	12.57	3.5	2.44	3	5	0	0	6.95	5.875	1.88	0.625	0.517	0.188	1.41	0.5	0	
	1800	PESS143TC1M-4-A	143TC	13.81	3.5	2.75	4	5	0	0	6.95	5.875	2.25	0.875	0.771	0.188	1.41	0.5	0	
1.5	1200	PESS56C1M-4-A	56C	12.57	3.5	2.44	3	5	0	0	6.95	5.875	1.88	0.625	0.517	0.188	1.41	0.5	0	
	3600	PESS145TC1M-6-A	145TC	12.63	3.5	2.75	3	5	0	0	6.95	5.875	2.25	0.875	0.771	0.188	1.41	0.5	0	
1.5	3600	PESS143TC1.5M-2-A	143TC	13.81	3.5	2.75	4	5	0	0	6.95	5.875	2.25	0.875	0.771	0.188	1.41	0.5	0	
	1800	PESS56C1.5M-2-A	56C	12.57	3.5	2.44	3	5	0	0	6.95	5.875	1.88	0.625	0.517	0.188	1.41	0.5	0	
2	1800	PESS145TC1.5M-4-A	145TC	12.63	3.5	2.75	3	5	0	0	6.95	5.875	2.25	0.875	0.771	0.188	1.41	0.5	0	
	1200	PESS56C1.5M-4-A	56C	12.57	3.5	2.44	3	5	0	0	6.95	5.875	1.88	0.625	0.517	0.188	1.41	0.5	0	
2	3600	PESS182TC1.5M-6-A	182TC	17	4.5	3.75	5	6	0	0	9.25	7.25	2.75	1.125	0.986	0.250	1.78	0.5	0	
	1800	PESS145TC2M-2-A	145TC	13.81	3.5	2.75	3	5	0	0	6.95	5.875	2.25	0.875	0.771	0.188	1.41	0.5	0	
3	3600	PESS56C2M-2-A	56C	13.75	3.5	2.44	3	5	0	0	6.95	5.875	1.88	0.625	0.517	0.188	1.41	0.5	0	
	1800	PESS145TC2M-4-A	145TC	13.81	3.5	2.75	3	5	0	0	6.95	5.875	2.25	0.875	0.771	0.188	1.41	0.5	0	
3	1200	PESS184TC2M-6-A	184TC	17	4.5	3.75	5	6	0	0	9.25	7.25	2.75	1.125	0.986	0.250	1.78	0.5	0	
	3600	PESS145TC3M-2-A	145TC	16.6	3.5	2.75	3	5	0	0	6.95	5.875	2.25	0.875	0.771	0.188	1.41	0.5	0	
5	1800	PESS182TC3M-4-A	182TC	17	4.5	3.75	5	6	0	0	9.25	7.25	2.75	1.125	0.986	0.250	1.78	0.5	0	
	1200	PESS182TC3M-6-A	182TC	17	4.5	3.75	5	6	0	0	9.25	7.25	2.75	1.125	0.986	0.250	1.78	0.5	0	
5	3600	PESS213TC3M-6-A	213TC	20.7	5.25	4.25	6	7	0	0	10.08	7.25	3.38	1.375	1.201	0.312	2.41	0.5	0	
	1800	PESS184TC5M-2-A	184TC	17	4.5	3.75	5	6	0	0	9.25	7.25	2.75	1.125	0.986	0.250	1.78	0.5	0	
7.5	3600	PESS184TC5M-4-A	184TC	17	4.5	3.75	5	6	0	0	9.25	7.25	2.75	1.125	0.986	0.250	1.78	0.5	0	
	1800	PESS215TC5M-6-A	215TC	21.5	5.25	4.25	6	7	0	0	10.08	7.25	3.38	1.375	1.201	0.312	2.41	0.5	0	
10	3600	PESS213TC7.5M-2-A	213TC	20.7	5.25	4.25	6	7	0	0	10.08	7.25	3.38	1.375	1.201	0.312	2.41	0.5	0	
	1800	PESS213TC7.5M-4-A	213TC	20.7	5.25	4.25	6	7	0	0	10.08	7.25	3.38	1.375	1.201	0.312	2.41	0.5	0	
15	3600	PESS215TC10M-2-A	215TC	20.7	5.25	4.25	6	7	0	0	10.08	7.25	3.38	1.375	1.201	0.312	2.41	0.5	0	
	1800	PESS215TC10M-4-A	215TC	21.5	5.25	4.25	6	7	0	0	10.08	7.25	3.38	1.375	1.201	0.312	2.41	0.5	0	
20	3600	PESS254TC15M-2-A	254TC	23.2	6.25	5	8	0	0	0	12.7	7.25	4	1.625	1.416	0.375	2.91	0.75	0	
	1800	PESS254TC15M-4-A	254TC	23.2	6.25	5	8	0	0	0	12.7	7.25	4	1.625	1.416	0.375	2.91	0.75	0	
20	3600	PESS256TC20M-2-A	256TC	24.8	6.25	5	0	10	0	0	12.7	7.25	4	1.625	1.416	0.375	2.91	0.75	0	
	1800	PESS256TC20M-4-A	256TC	24.8	6.25	5	0	10	0	0	12.7	7.25	4	1.625	1.416	0.375	2.91	0.75	0	



Phases and HP: 3-Phase, .33-20 HP

Inverter duty: (20:1 VT; 10:1 CT)

Enclosure: Totally enclosed fan cooled (TEFC)

Frame: 56C-256TC

GENERAL PURPOSE MOTORS

SPECIAL PURPOSE MOTORS

ACCESSORIES

APPENDIX

# Washdown Duty

## C-Flange/Round Body — Round Conduit Box — Stainless Steel

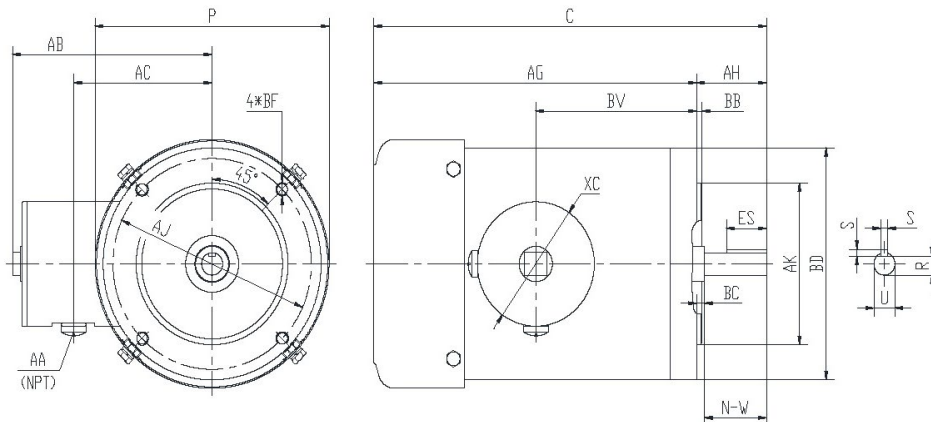


Diagram O-2

HP	RPM	Model Number	Frame	Motor Dimension							Flange		Shaft			Keyway			AA	Diagram
				C	D	E	2F1	2F2	J	O	P	AJ	N-W	U	R	S	ES			
0.33	3600	SS56C1/3M-2-RB-A	56C	11.59	0	0	0	0	0	0	6.95	5.875	1.88	0.625	0.517	0.188	1.41	0.5	0-2	
	1800	SS56C1/3M-4-RB-A	56C	11.59	0	0	0	0	0	0	6.95	5.875	1.88	0.625	0.517	0.188	1.41	0.5	0-2	
	3600	SS56C1/2M-2-RB-A	56C	11.59	0	0	0	0	0	0	6.95	5.875	1.88	0.625	0.517	0.188	1.41	0.5	0-2	
0.5	1800	SS56C1/2M-4-RB-A	56C	11.59	0	0	0	0	0	0	6.95	5.875	1.88	0.625	0.517	0.188	1.41	0.5	0-2	
	1200	SS56C1/2M-6-RB-A	56C	11.59	0	0	0	0	0	0	6.95	5.875	1.88	0.625	0.517	0.188	1.41	0.5	0-2	
	3600	SS56C3/4M-2-RB-A	56C	12.57	0	0	0	0	0	0	6.95	5.875	1.88	0.625	0.517	0.188	1.41	0.5	0-2	
0.75	1800	SS56C3/4M-4-RB-A	56C	12.57	0	0	0	0	0	0	6.95	5.875	1.88	0.625	0.517	0.188	1.41	0.5	0-2	
	1200	SS56C3/4M-6-RB-A	56C	12.57	0	0	0	0	0	0	6.95	5.875	1.88	0.625	0.517	0.188	1.41	0.5	0-2	
	3600	PESS56C1M-2-RB-A	56C	12.57	0	0	0	0	0	0	6.95	5.875	1.88	0.625	0.517	0.188	1.41	0.5	0-2	
1	1800	PESS143TC1M-4-RB-A	143TC	12.63	0	0	0	0	0	0	6.95	5.875	2.25	0.875	0.771	0.188	1.41	0.5	0-2	
	3600	PESS56C1M-4-RB-A	56C	12.57	0	0	0	0	0	0	6.95	5.875	1.88	0.625	0.517	0.188	1.41	0.5	0-2	
	1200	PESS145TC1M-6-RB-A	145TC	12.63	0	0	0	0	0	0	6.95	5.875	2.25	0.875	0.771	0.188	1.41	0.5	0-2	
	3600	PESS143TC1.5M-2-RB-A	143TC	12.63	0	0	0	0	0	0	6.95	5.875	2.25	0.875	0.771	0.188	1.41	0.5	0-2	
1.5	3600	PESS56C1.5M-2-RB-A	56C	12.57	0	0	0	0	0	0	6.95	5.875	1.88	0.625	0.517	0.188	1.41	0.5	0-2	
	1800	PESS145TC1.5M-4-RB-A	145TC	12.63	0	0	0	0	0	0	6.95	5.875	2.25	0.875	0.771	0.188	1.41	0.5	0-2	
	3600	PESS56C1.5M-4-RB-A	56C	12.57	0	0	0	0	0	0	6.95	5.875	1.88	0.625	0.517	0.188	1.41	0.5	0-2	
	1200	PESS182TC1.5M-6-RB-A	182TC	17	0	0	0	0	0	0	9.25	7.25	2.75	1.125	0.986	0.250	1.78	0.5	0-2	
2	3600	PESS145TC2M-2-RB-A	145TC	13.81	0	0	0	0	0	0	6.95	5.875	2.25	0.875	0.771	0.188	1.41	0.5	0-2	
	3600	PESS56C2M-2-RB-A	56C	13.75	0	0	0	0	0	0	6.95	5.875	1.88	0.625	0.517	0.188	1.41	0.5	0-2	
	1800	PESS145TC2M-4-RB-A	145TC	13.81	0	0	0	0	0	0	6.95	5.875	2.25	0.875	0.771	0.188	1.41	0.5	0-2	
	1200	PESS56C2M-4-RB-A	56C	13.75	0	0	0	0	0	0	6.95	5.875	1.88	0.625	0.517	0.188	1.41	0.5	0-2	
3	1200	PESS184TC2M-6-RB-A	184TC	17	0	0	0	0	0	0	9.25	7.25	2.75	1.125	0.986	0.250	1.78	0.5	0-2	
	3600	PESS145TC3M-2-RB-A	145TC	16.6	0	0	0	0	0	0	6.95	5.875	2.25	0.875	0.771	0.188	1.41	0.5	0-2	
	3600	PESS182TC3M-2-RB-A	182TC	17	0	0	0	0	0	0	9.25	7.25	2.75	1.125	0.986	0.250	1.78	0.5	0-2	
	1800	PESS182TC3M-4-RB-A	182TC	17	0	0	0	0	0	0	9.25	7.25	2.75	1.125	0.986	0.250	1.78	0.5	0-2	
5	1200	PESS213TC3M-6-RB-A	213TC	20.7	0	0	0	0	0	0	10.08	7.25	3.38	1.375	1.201	0.312	2.41	0.5	0-2	
	3600	PESS184TC5M-2-RB-A	184TC	17	0	0	0	0	0	0	9.25	7.25	2.75	1.125	0.986	0.250	1.78	0.5	0-2	
	1800	PESS184TC5M-4-RB-A	184TC	17	0	0	0	0	0	0	9.25	7.25	2.75	1.125	0.986	0.250	1.78	0.5	0-2	
	1200	PESS215TC5M-6-RB-A	215TC	21.5	0	0	0	0	0	0	10.08	7.25	3.38	1.375	1.201	0.312	2.41	0.5	0-2	
7.5	3600	PESS213TC7.5M-2-RB-A	213TC	20.7	0	0	0	0	0	0	10.08	7.25	3.38	1.375	1.201	0.312	2.41	0.5	0-2	
	1800	PESS213TC7.5M-4-RB-A	213TC	20.7	0	0	0	0	0	0	10.08	7.25	3.38	1.375	1.201	0.312	2.41	0.5	0-2	
10	3600	PESS215TC10M-2-RB-A	215TC	20.7	0	0	0	0	0	0	10.08	7.25	3.38	1.375	1.201	0.312	2.41	0.5	0-2	
	1800	PESS215TC10M-4-RB-A	215TC	21.5	0	0	0	0	0	0	10.08	7.25	3.38	1.375	1.201	0.312	2.41	0.5	0-2	
15	3600	PESS254TC15M-2-RB-A	254TC	23.2	0	0	0	0	0	0	12.7	7.25	4	1.625	1.416	0.375	2.91	0.75	0-2	
	1800	PESS254TC15M-4-RB-A	254TC	23.2	0	0	0	0	0	0	12.7	7.25	4	1.625	1.416	0.375	2.91	0.75	0-2	
20	3600	PESS256TC20M-2-RB-A	256TC	24.8	0	0	0	0	0	0	12.7	7.25	4	1.625	1.416	0.375	2.91	0.75	0-2	
	1800	PESS256TC20M-4-RB-A	256TC	24.8	0	0	0	0	0	0	12.7	7.25	4	1.625	1.416	0.375	2.91	0.75	0-2	



Phases and HP: 3-Phase, .33–20 HP

Inverter duty: (20:1 VT; 10:1 CT)

Enclosure: Totally enclosed fan cooled (TEFC)

Frame: 56C–256TC

# Washdown Duty

## C-Flange — Round Conduit Box w/ Encapsulation — Stainless Steel

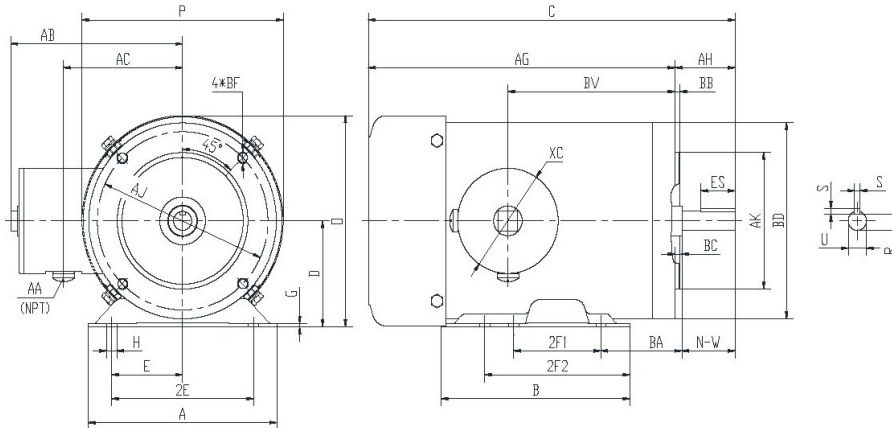


Diagram O-3

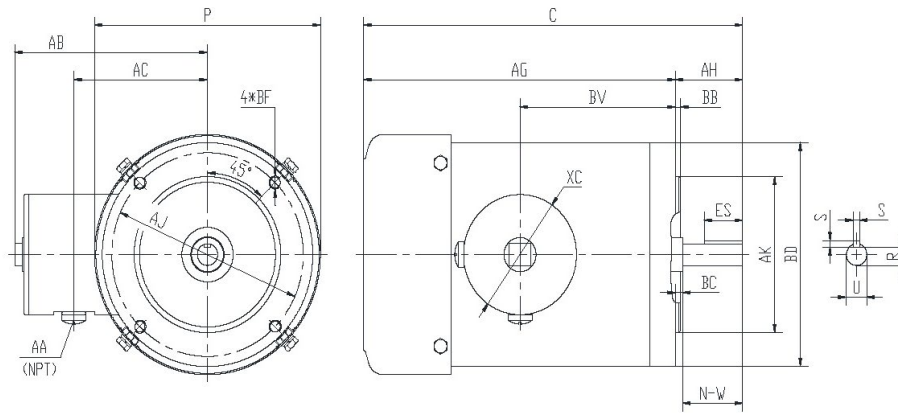
HP	RPM	Model Number	Frame	Motor Dimension							Flange		Shaft			Keyway			AA	Diagram
				C	D	E	2F1	2F2	J	O	P	AJ	N-W	U	R	S	ES			
0.33	3600	SS56C1/3M-2-B	56C	11.59	3.5	2.44	3	0	0	0	6.95	5.875	1.88	0.625	0.517	0.188	1.41	0.5	0-3	
	1800	SS56C1/3M-4-B	56C	11.59	3.5	2.44	3	0	0	0	6.95	5.875	1.88	0.625	0.517	0.188	1.41	0.5	0-3	
0.5	3600	SS56C1/2M-2-B	56C	11.59	3.5	2.44	3	0	0	0	6.95	5.875	1.88	0.625	0.517	0.188	1.41	0.5	0-3	
	1800	SS56C1/2M-4-B	56C	11.59	3.5	2.44	3	0	0	0	6.95	5.875	1.88	0.625	0.517	0.188	1.41	0.5	0-3	
0.75	3600	SS56C3/4M-2-B	56C	12.57	3.5	2.44	3	0	0	0	6.95	5.875	1.88	0.625	0.517	0.188	1.41	0.5	0-3	
	1800	SS56C3/4M-4-B	56C	12.57	3.5	2.44	3	0	0	0	6.95	5.875	1.88	0.625	0.517	0.188	1.41	0.5	0-3	
1	3600	PESS56C1M-2-B	56C	12.57	3.5	2.44	3	5	0	0	6.95	5.875	1.88	0.625	0.517	0.188	1.41	0.5	0-3	
	1800	PESS143TC1M-4-B	143TC	13.81	3.5	2.75	4	5	0	0	6.95	5.875	2.25	0.875	0.771	0.188	1.41	0.5	0-3	
1.5	3600	PESS143TC1.5M-2-B	143TC	13.81	3.5	2.75	4	5	0	0	6.95	5.875	2.25	0.875	0.771	0.188	1.41	0.5	0-3	
	1800	PESS145TC1.5M-4-B	145TC	12.63	3.5	2.75	3	5	0	0	6.95	5.875	2.25	0.875	0.771	0.188	1.41	0.5	0-3	
2	3600	PESS56C2M-2-B	56C	13.75	3.5	2.44	3	5	0	0	6.95	5.875	1.88	0.625	0.517	0.188	1.41	0.5	0-3	
	1800	PESS145TC2M-4-B	145TC	13.81	3.5	2.75	3	5	0	0	6.95	5.875	2.25	0.875	0.771	0.188	1.41	0.5	0-3	
3	3600	PESS184TC2M-2-B	184TC	17	4.5	3.75	5	6	0	0	9.25	7.25	2.75	1.125	0.986	0.250	1.78	0.5	0-3	
	1800	PESS182TC3M-4-B	182TC	17	4.5	3.75	5	6	0	0	9.25	7.25	2.75	1.125	0.986	0.250	1.78	0.5	0-3	
5	3600	PESS213TC3M-2-B	213TC	20.7	5.25	4.25	6	7	0	0	10.08	7.25	3.38	1.375	1.201	0.312	2.41	0.5	0-3	
	1800	PESS184TC5M-2-B	184TC	17	4.5	3.75	5	6	0	0	9.25	7.25	2.75	1.125	0.986	0.250	1.78	0.5	0-3	
7.5	3600	PESS215TC5M-2-B	215TC	21.5	5.25	4.25	6	7	0	0	10.08	7.25	3.38	1.375	1.201	0.312	2.41	0.5	0-3	
	1800	PESS213TC7.5M-4-B	213TC	20.7	5.25	4.25	6	7	0	0	10.08	7.25	3.38	1.375	1.201	0.312	2.41	0.5	0-3	
10	3600	PESS215TC10M-2-B	215TC	20.7	5.25	4.25	6	7	0	0	10.08	7.25	3.38	1.375	1.201	0.312	2.41	0.5	0-3	
	1800	PESS254TC15M-2-B	254TC	23.2	6.25	5	8	0	0	0	12.7	7.25	4	1.625	1.416	0.375	2.91	0.75	0-3	
15	3600	PESS254TC15M-4-B	254TC	23.2	6.25	5	8	0	0	0	12.7	7.25	4	1.625	1.416	0.375	2.91	0.75	0-3	
	1800	PESS256TC20M-2-B	256TC	24.8	6.25	5	0	10	0	0	12.7	7.25	4	1.625	1.416	0.375	2.91	0.75	0-3	
20	1800	PESS256TC20M-4-B	256TC	24.8	6.25	5	0	10	0	0	12.7	7.25	4	1.625	1.416	0.375	2.91	0.75	0-3	



**Phases and HP:** 3-Phase, .33–20 HP      **Inverter duty:** (20:1 VT; 10:1 CT)  
**Enclosure:** Totally enclosed fan cooled (TEFC)  
**Frame:** 56C–256TC

# Washdown Duty

C-Flange/Round Body — Round Conduit Box w/ Encapsulation — Stainless Steel



**Diagram O-4**

HP	RPM	Model Number	Frame	Motor Dimension								Flange		Shaft			Keyway			AA	Diagram
				C	D	E	2F1	2F2	J	O	P	AJ	N-W	U	R	S	ES				
0.33	3600	SS56C1/3M-2-RB-B	56C	11.59	0	0	0	0	0	0	0	6.95	5.875	1.88	0.625	0.517	0.188	1.41	0.5	0-4	
	1800	SS56C1/3M-4-RB-B	56C	11.59	0	0	0	0	0	0	0	6.95	5.875	1.88	0.625	0.517	0.188	1.41	0.5	0-4	
0.5	3600	SS56C1/2M-2-RB-B	56C	11.59	0	0	0	0	0	0	0	6.95	5.875	1.88	0.625	0.517	0.188	1.41	0.5	0-4	
	1800	SS56C1/2M-4-RB-B	56C	11.59	0	0	0	0	0	0	0	6.95	5.875	1.88	0.625	0.517	0.188	1.41	0.5	0-4	
0.75	1200	SS56C1/2M-6-RB-B	56C	11.59	0	0	0	0	0	0	0	6.95	5.875	1.88	0.625	0.517	0.188	1.41	0.5	0-4	
	3600	SS56C3/4M-2-RB-B	56C	12.57	0	0	0	0	0	0	0	6.95	5.875	1.88	0.625	0.517	0.188	1.41	0.5	0-4	
	1800	SS56C3/4M-4-RB-B	56C	12.57	0	0	0	0	0	0	0	6.95	5.875	1.88	0.625	0.517	0.188	1.41	0.5	0-4	
1	1200	SS56C3/4M-6-RB-B	56C	12.57	0	0	0	0	0	0	0	6.95	5.875	1.88	0.625	0.517	0.188	1.41	0.5	0-4	
	3600	PESS56C1M-2-RB-B	56C	12.57	0	0	0	0	0	0	0	6.95	5.875	1.88	0.625	0.517	0.188	1.41	0.5	0-4	
	1800	PESS143TC1M-4-RB-B	143TC	12.63	0	0	0	0	0	0	0	6.95	5.875	2.25	0.875	0.771	0.188	1.41	0.5	0-4	
		PESS56C1M-4-RB-B	56C	12.57	0	0	0	0	0	0	0	6.95	5.875	1.88	0.625	0.517	0.188	1.41	0.5	0-4	
1.5	1200	PESS145TC1M-6-RB-B	145TC	12.63	0	0	0	0	0	0	0	6.95	5.875	2.25	0.875	0.771	0.188	1.41	0.5	0-4	
	3600	PESS143TC1.5M-2-RB-B	143TC	12.63	0	0	0	0	0	0	0	6.95	5.875	2.25	0.875	0.771	0.188	1.41	0.5	0-4	
	1800	PESS56C1.5M-2-RB-B	56C	12.57	0	0	0	0	0	0	0	6.95	5.875	1.88	0.625	0.517	0.188	1.41	0.5	0-4	
		PESS145TC1.5M-4-RB-B	145TC	12.63	0	0	0	0	0	0	0	6.95	5.875	2.25	0.875	0.771	0.188	1.41	0.5	0-4	
2	1200	PESS56C1.5M-4-RB-B	56C	12.57	0	0	0	0	0	0	0	6.95	5.875	1.88	0.625	0.517	0.188	1.41	0.5	0-4	
	3600	PESS182TC1.5M-6-RB-B	182TC	17	0	0	0	0	0	0	0	9.25	7.25	2.75	1.125	0.986	0.250	1.78	0.5	0-4	
	1800	PESS145TC2M-2-RB-B	145TC	13.81	0	0	0	0	0	0	0	6.95	5.875	2.25	0.875	0.771	0.188	1.41	0.5	0-4	
		PESS56C2M-2-RB-B	56C	13.75	0	0	0	0	0	0	0	6.95	5.875	1.88	0.625	0.517	0.188	1.41	0.5	0-4	
3	1200	PESS184TC2M-6-RB-B	184TC	17	0	0	0	0	0	0	0	9.25	7.25	2.75	1.125	0.986	0.250	1.78	0.5	0-4	
	3600	PESS145TC3M-2-RB-B	145TC	16.6	0	0	0	0	0	0	0	6.95	5.875	2.25	0.875	0.771	0.188	1.41	0.5	0-4	
	1800	PESS182TC3M-2-RB-B	182TC	17	0	0	0	0	0	0	0	9.25	7.25	2.75	1.125	0.986	0.250	1.78	0.5	0-4	
		PESS213TC3M-6-RB-B	213TC	20.7	0	0	0	0	0	0	0	10.08	7.25	3.38	1.375	1.201	0.312	2.41	0.5	0-4	
5	3600	PESS184TC5M-2-RB-B	184TC	17	0	0	0	0	0	0	0	9.25	7.25	2.75	1.125	0.986	0.250	1.78	0.5	0-4	
	1800	PESS184TC5M-4-RB-B	184TC	17	0	0	0	0	0	0	0	9.25	7.25	2.75	1.125	0.986	0.250	1.78	0.5	0-4	
7.5	1200	PESS215TC5M-6-RB-B	215TC	21.5	0	0	0	0	0	0	0	10.08	7.25	3.38	1.375	1.201	0.312	2.41	0.5	0-4	
	3600	PESS213TC7.5M-2-RB-B	213TC	20.7	0	0	0	0	0	0	0	10.08	7.25	3.38	1.375	1.201	0.312	2.41	0.5	0-4	
10	1800	PESS213TC7.5M-4-RB-B	213TC	20.7	0	0	0	0	0	0	0	10.08	7.25	3.38	1.375	1.201	0.312	2.41	0.5	0-4	
	3600	PESS215TC10M-2-RB-B	215TC	20.7	0	0	0	0	0	0	0	10.08	7.25	3.38	1.375	1.201	0.312	2.41	0.5	0-4	
15	1800	PESS215TC10M-4-RB-B	215TC	21.5	0	0	0	0	0	0	0	10.08	7.25	3.38	1.375	1.201	0.312	2.41	0.5	0-4	
	3600	PESS254TC15M-2-RB-B	254TC	23.2	0	0	0	0	0	0	0	12.7	7.25	4	1.625	1.416	0.375	2.91	0.75	0-4	
20	1800	PESS254TC15M-4-RB-B	254TC	23.2	0	0	0	0	0	0	0	12.7	7.25	4	1.625	1.416	0.375	2.91	0.75	0-4	
	3600	PESS256TC20M-2-RB-B	256TC	24.8	0	0	0	0	0	0	0	12.7	7.25	4	1.625	1.416	0.375	2.91	0.75	0-4	
	1800	PESS256TC20M-4-RB-B	256TC	24.8	0	0	0	0	0	0	0	12.7	7.25	4	1.625	1.416	0.375	2.91	0.75	0-4	



Phases and HP: 3-phase, .33-3.0 HP

Inverter duty: (20:1 VT; 10:1 CT)

Enclosure: Totally enclosed non ventilated (TENV)

Frame: 56C-256TC

# Washdown Duty

## C-Flange — Round Conduit Box — Stainless Steel

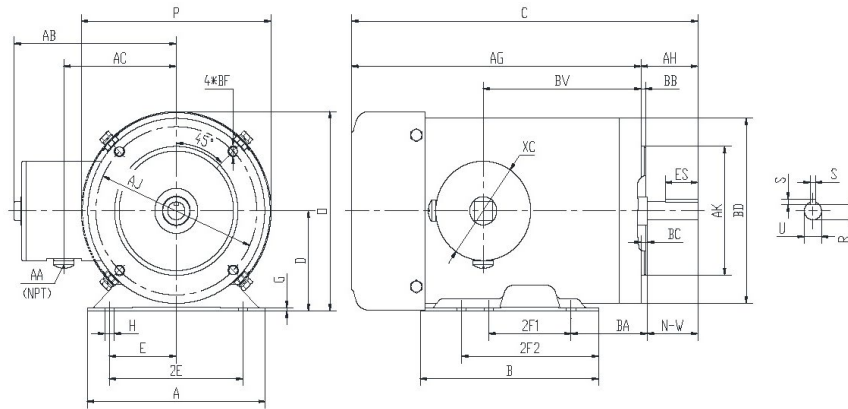


Diagram O-5

HP	RPM	Model Number	Frame	Motor Dimension								Flange		Shaft			Keyway			AA	Diagram
				C	D	E	2F1	2F2	J	O	P	AJ	N-W	U	R	S	ES				
0.33	3600	SS56C1/3M-2-A-NV	56C	9.8	3.5	2.44	3	0	0	6.73	6.45	5.875	1.88	0.625	0.517	0.188	1.41	6.5	O-5		
	1800	SS56C1/3M-4-A-NV	56C	9.8	3.5	2.44	3	0	0	6.73	6.45	5.875	1.88	0.625	0.517	0.188	1.41	6.5	O-5		
0.5	3600	SS56C1/2M-2-A-NV	56C	9.8	3.5	2.44	3	0	0	6.73	6.45	5.875	1.88	0.625	0.517	0.188	1.41	6.5	O-5		
	1800	SS56C1/2M-4-A-NV	56C	9.8	3.5	2.44	3	0	0	6.73	6.45	5.875	1.88	0.625	0.517	0.188	1.41	6.5	O-5		
0.75	3600	SS56C3/4M-2-A-NV	56C	10.78	3.5	2.44	3	0	0	6.73	6.45	5.875	1.88	0.625	0.517	0.188	1.41	6.5	O-5		
	1800	SS56C3/4M-4-A-NV	56C	10.78	3.5	2.44	3	0	0	6.73	6.45	5.875	1.88	0.625	0.517	0.188	1.41	6.5	O-5		
1	1800	PESS143TC1M-4-A-NV	143TC	12.02	3.5	2.75	4	5	0	6.73	6.45	5.875	2.25	0.875	0.771	0.188	1.41	6.5	O-5		
	3600	PESS56C1M-2-A-NV	56C	10.78	3.5	2.44	3	5	0	6.73	6.45	5.875	1.88	0.625	0.517	0.188	1.41	6.5	O-5		
	1800	PESS56C1M-4-A-NV	56C	10.78	3.5	2.44	3	5	0	6.73	6.45	5.875	1.88	0.625	0.517	0.188	1.41	6.5	O-5		
1.5	3600	PESS143TC1.5M-2-A-NV	143TC	12.02	3.5	2.75	4	5	0	6.73	6.45	5.875	2.25	0.875	0.771	0.188	1.41	6.5	O-5		
	1800	PESS145TC1.5M-4-A-NV	145TC	12.02	3.5	2.75	3	5	0	6.73	6.45	5.875	2.25	0.875	0.771	0.188	1.41	6.5	O-5		
	3600	PESS56C1.5M-2-A-NV	56C	11.96	3.5	2.44	3	5	0	6.73	6.45	5.875	1.88	0.625	0.517	0.188	1.41	6.5	O-5		
2	1800	PESS56C1.5M-4-A-NV	56C	11.96	3.5	2.44	3	5	0	6.73	6.45	5.875	1.88	0.625	0.517	0.188	1.41	6.5	O-5		
	3600	PESS145TC2M-2-A-NV	145TC	13.81	3.5	2.75	3	5	0	6.73	6.45	5.875	2.25	0.875	0.771	0.188	1.41	6.5	O-5		
	1800	PESS145TC2M-4-A-NV	145TC	13.81	3.5	2.75	3	5	0	6.73	6.45	5.875	2.25	0.875	0.771	0.188	1.41	6.5	O-5		
3	3600	PESS56C2M-2-A-NV	56C	13.75	3.5	2.44	3	5	0	6.73	6.45	5.875	1.88	0.625	0.517	0.188	1.41	6.5	O-5		
	1800	PESS56C2M-4-A-NV	56C	13.75	3.5	2.44	3	5	0	6.73	6.45	5.875	1.88	0.625	0.517	0.188	1.41	6.5	O-5		
	3600	PESS182TC3M-2-A-NV	182TC	14.7	4.5	3.75	4.5	5.5	0	9.55	8.58	7.25	2.75	1.125	0.986	0.25	1.78	8.8	O-5		
1800	PESS182TC3M-4-A-NV	182TC	14.7	4.5	3.75	4.5	5.5	0	9.55	8.58	7.25	2.75	1.125	0.986	0.25	1.78	8.8	O-5			

**Phases and HP:** 3-phase, .33-3.0 HP

**Inverter duty:** (20:1 VT; 10:1 CT)

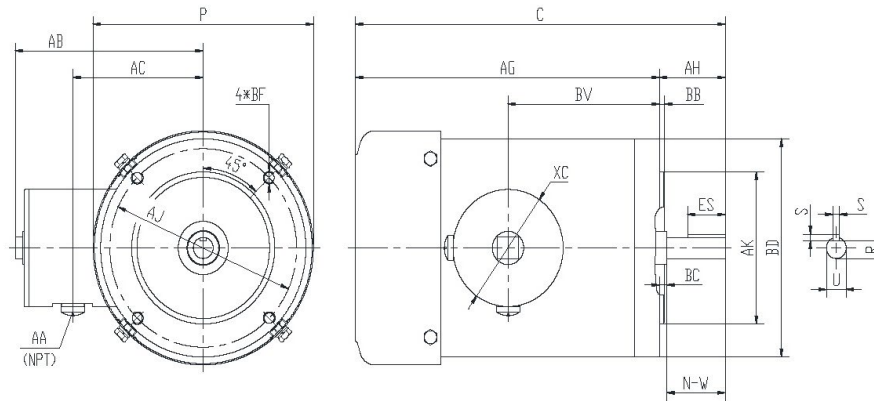
**Enclosure:** Round Body-

Totally enclosed non ventilated (TENV)

**Frame:** 56C-256TC

# Washdown Duty

## C-Flange/Round Body — Round Conduit Box — Stainless Steel



**Diagram O-6**

HP	RPM	Model Number	Frame	Motor Dimension									Flange		Shaft			Keyway			AA	Diagram
				C	D	E	2F1	2F2	J	O	P	AJ	N-W	U	R	S	ES					
0.33	3600	SS56C1/3M-2-RB-A-NV	56C	9.8	0	0	0	0	0	0	0	6.45	5.875	1.88	0.625	0.517	0.188	1.41				0-6
	1800	SS56C1/3M-4-RB-A-NV	56C	9.8	0	0	0	0	0	0	0	6.45	5.875	1.88	0.625	0.517	0.188	1.41				0-6
0.5	3600	SS56C1/2M-2-RB-A-NV	56C	9.8	0	0	0	0	0	0	0	6.45	5.875	1.88	0.625	0.517	0.188	1.41				0-6
	1800	SS56C1/2M-4-RB-A-NV	56C	9.8	0	0	0	0	0	0	0	6.45	5.875	1.88	0.625	0.517	0.188	1.41				0-6
0.75	3600	SS56C3/4M-2-RB-A-NV	56C	10.78	0	0	0	0	0	0	0	6.45	5.875	1.88	0.625	0.517	0.188	1.41				0-6
	1800	SS56C3/4M-4-RB-A-NV	56C	10.78	0	0	0	0	0	0	0	6.45	5.875	1.88	0.625	0.517	0.188	1.41				0-6
1	1800	PESS143TC1M-4-RB-A-NV	143TC	12.02	0	0	0	0	0	0	0	6.45	5.875	2.25	0.875	0.771	0.188	1.41				0-6
	3600	PESS56C1M-2-RB-A-NV	56C	10.78	0	0	0	0	0	0	0	6.45	5.875	1.88	0.625	0.517	0.188	1.41				0-6
	1800	PESS56C1M-4-RB-A-NV	56C	10.78	0	0	0	0	0	0	0	6.45	5.875	1.88	0.625	0.517	0.188	1.41				0-6
1.5	3600	PESS143TC1.5M-2-RB-A-NV	143TC	12.02	0	0	0	0	0	0	0	6.45	5.875	2.25	0.875	0.771	0.188	1.41				0-6
	1800	PESS145TC1.5M-4-RB-A-NV	145TC	12.02	0	0	0	0	0	0	0	6.45	5.875	2.25	0.875	0.771	0.188	1.41				0-6
	3600	PESS56C1.5M-2-RB-A-NV	56C	11.96	0	0	0	0	0	0	0	6.45	5.875	1.88	0.625	0.517	0.188	1.41				0-6
	1800	PESS56C1.5M-4-RB-A-NV	56C	11.96	0	0	0	0	0	0	0	6.45	5.875	1.88	0.625	0.517	0.188	1.41				0-6
2	3600	PESS145TC2M-2-RB-A-NV	145TC	13.81	0	0	0	0	0	0	0	6.45	5.875	2.25	0.875	0.771	0.188	1.41				0-6
	1800	PESS145TC2M-4-RB-A-NV	145TC	13.81	0	0	0	0	0	0	0	6.45	5.875	2.25	0.875	0.771	0.188	1.41				0-6
	3600	PESS56C2M-2-RB-A-NV	56C	13.75	0	0	0	0	0	0	0	6.45	5.875	1.88	0.625	0.517	0.188	1.41				0-6
	1800	PESS56C2M-4-RB-A-NV	56C	13.75	0	0	0	0	0	0	0	6.45	5.875	1.88	0.625	0.517	0.188	1.41				0-6
3	3600	PESS182TC3M-2-RB-A-NV	182TC	14.7	0	0	0	0	0	0	0	8.58	7.25	2.75	1.125	0.986	0.25	1.78				0-6
	1800	PESS182TC3M-4-RB-A-NV	182TC	14.7	0	0	0	0	0	0	0	8.58	7.25	2.75	1.125	0.986	0.25	1.78				0-6

Phases and HP: 3-Phase, 1–75 HP

Inverter duty: (20:1 VT; 10:1 CT)

Enclosure: Totally enclosed fan cooled (TEFC)

Frame: 143JM–365JM

# Close Coupled

## JM Frame — Heavy Duty Cast Iron

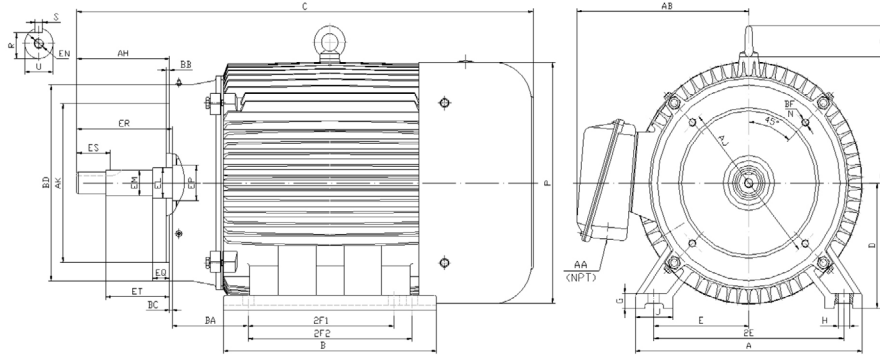


Diagram P

HP	RPM	Model Number	Frame	Motor Dimension									Flange		Shaft		Keyway			AA	Diagram
				C	D	E	2F1	2F2	J	O	P	AJ	N-W	U	R	S	ES				
1	1800	PE143JM-1-4	143JM	16.2	3.5	2.75	4	5	1.4	7.1	7	5.875	0	0.8745 0.8740	0.771 0.756	0.190 0.188	1.65	0.75	P		
1.5	3600	PE143JM-1.5-2	143JM	16.23	3.5	2.75	4	5	1.4	7.1	7	5.875	0	0.8745 0.8740	0.771 0.756	0.190 0.188	1.65	0.75	P		
	1800	PE145JM-1.5-4	145JM	17.2	3.5	2.75	4	5	1.4	7.1	7	5.875	0	0.8745 0.8740	0.771 0.756	0.190 0.188	1.65	0.75	P		
2	3600	PE145JM-2-2	145JM	17.23	3.5	2.75	4	5	1.4	7.1	7	5.875	0	0.8745 0.8740	0.771 0.756	0.190 0.188	1.65	0.75	P		
	1800	PE145JM-2-4	145JM	17.2	3.5	2.75	4	5	1.4	7.1	7	5.875	0	0.8745 0.8740	0.771 0.756	0.190 0.188	1.65	0.75	P		
3	3600	PE145JM-3-2	145JM	17.23	3.5	2.75	4	5	1.4	7.1	7	5.875	0	0.8745 0.8740	0.771 0.756	0.190 0.188	1.65	0.75	P		
		PE182JM-3-2	182JM	18.5	4.5	3.75	4.5	5.5	2	9.1	8.7	5.875	0	0.8745 0.8740	0.771 0.756	0.190 0.188	1.65	0.75	P		
	1800	PE182JM-3-4	182JM	18.48	4.5	3.75	4.5	5.5	2	9.1	8.7	5.875	0	0.8745 0.8740	0.771 0.756	0.190 0.188	1.65	0.75	P		
5	3600	PE184JM-5-2	184JM	19.5	4.5	3.75	4.5	5.5	2	9.1	8.7	5.875	0	0.8745 0.8740	0.771 0.756	0.190 0.188	1.65	0.75	P		
	1800	PE184JM-5-4	184JM	19.48	4.5	3.75	4.5	5.5	2	9.1	8.7	5.875	0	0.8745 0.8740	0.771 0.756	0.190 0.188	1.65	0.75	P		
7.5	3600	PE184JM-7.5-2	184JM	19.5	4.5	3.75	4.5	5.5	2	9.1	8.7	5.875	0	0.8745 0.8740	0.771 0.756	0.190 0.188	1.65	0.75	P		
		PE213JM-7.5-2	213JM	20.78	5.25	4.25	5.5	0	2.4	10.5	10.2	7.25	0	0.8745 0.8740	0.771 0.756	0.190 0.188	1.65	1	P		
	1800	PE213JM-7.5-4	213JM	20.8	5.25	4.25	5.5	0	2.4	10.5	10.2	7.25	0	0.8745 0.8740	0.771 0.756	0.190 0.188	1.65	1	P		
10	3600	PE215JM-10-2	215JM	22.28	5.25	4.25	5.5	7	2.4	10.5	10.2	7.25	0	0.8745 0.8740	0.771 0.756	0.190 0.188	1.65	1	P		
	1800	PE215JM-10-4	215JM	22.3	5.25	4.25	5.5	7	2.4	10.5	10.2	7.25	0	0.8745 0.8740	0.771 0.756	0.190 0.188	1.65	1	P		
15	3600	PE215JM-15-2	215JM	22.28	5.25	4.25	5.5	7	2.4	10.5	10.2	7.25	0	0.8745 0.8740	0.771 0.756	0.190 0.188	1.65	1	P		
		PE254JM-15-2	254JM	24.7	6.25	5	8.3	0	2.75	13	12.4	7.25	0	1.2495 1.2490	1.112 1.097	0.252 0.250	2.53	1.25	P		
	1800	PE254JM-15-4	254JM	24.7	6.25	5	8.3	0	2.75	13.2	12.8	7.25	0	1.2495 1.2490	1.112 1.097	0.252 0.250	2.53	1.25	P		
20	3600	PE256JM-20-2	256JM	26.5	6.25	5	8.3	10	2.75	13	12.4	7.25	0	1.2495 1.2490	1.112 1.097	0.252 0.250	2.53	1.25	P		
		PE256JM-20-4	256JM	26.5	6.25	5	8.3	10	2.75	13.2	12.8	7.25	0	1.2495 1.2490	1.112 1.097	0.252 0.250	2.53	1.25	P		
	1800	PE256JM-25-2	256JM	26.5	6.25	5	8.3	10	2.75	13	12.4	7.25	0	1.2495 1.2490	1.112 1.097	0.252 0.250	2.53	1.25	P		
25	3600	PE284JM-25-2	284JM	27.47	7	5.5	9.5	0	2.75	14.5	14	11	0	1.2495 1.2490	1.112 1.097	0.252 0.250	2.53	1.5	P		
	1800	PE284JM-25-4	284JM	27.5	7	5.5	9.5	0	2.75	14.5	14	11	0	1.2495 1.2490	1.112 1.097	0.252 0.250	2.53	1.5	P		
30	3600	PE286JM-30-2	286JM	28.97	7	5.5	9.5	11	2.75	14.5	14	11	0	1.2495 1.2490	1.112 1.097	0.252 0.250	2.53	1.5	P		
		PE286JM-30-4	286JM	29	7	5.5	9.5	11	2.75	14.5	14	11	0	1.2495 1.2490	1.112 1.097	0.252 0.250	2.53	1.5	P		
	1800	PE286JM-40-2	286JM	28.97	7	5.5	9.5	11	2.75	14.5	14	11	0	1.2495 1.2490	1.112 1.097	0.252 0.250	2.53	1.5	P		
40	3600	PE324JM-40-2	324JM	30.1	8	6.25	10.5	0	2.75	15.9	15.7	11	0	1.2495 1.2490	1.112 1.097	0.252 0.250	2.53	2	P		
	1800	PE324JM-40-4	324JM	30.05	8	6.25	10.5	0	2.75	15.9	15.7	11	0	1.2495 1.2490	1.112 1.097	0.252 0.250	2.53	2	P		
50	3600	PE326JM-50-2	326JM	31.6	8	6.25	10.5	12	2.75	15.9	15.7	11	0	1.2495 1.2490	1.112 1.097	0.252 0.250	2.53	2	P		
	1800	PE326JM-50-4	326JM	31.55	8	6.25	10.5	12	2.75	15.9	15.7	11	0	1.2495 1.2490	1.112 1.097	0.252 0.250	2.53	2	P		
60	3600	PE364JM-60-2	364JM	33.1	9	7	11.3	12.3	2.95	18.1	17.6	11	0	1.2495 1.2490	1.112 1.097	0.252 0.250	2.53	3	P		
	1800	PE364JM-60-4	364JM	32.1	9	7	11.3	0	2.95	18.5	18.4	11	0	1.2495 1.2490	1.112 1.097	0.252 0.250	2.53	3	P		
75	3600	PE365JM-75-2	365JM	33.1	9	7	11.3	12.3	2.95	18.1	17.6	11	0	1.2495 1.2490	1.112 1.097	0.252 0.250	2.53	3	P		
		PE365JM-75-4	365JM	33.1	9	7	11.3	12.3	2.95	18.5	18.4	11	0	1.2495 1.2490	1.112 1.097	0.252 0.250	2.53	3	P		



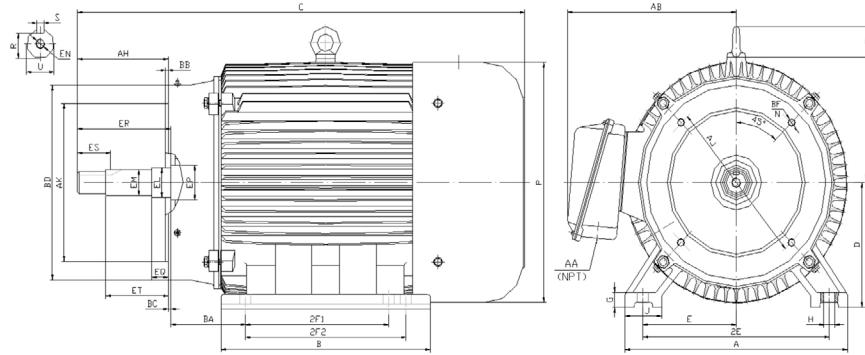
**Phases and HP:** 3-Phase, 1–75 HP

**Inverter duty:** (20:1 VT; 10:1 CT)

**Enclosure:** Totally enclosed fan cooled (TEFC)

**Frame:** 143JP–365JP

# Close Coupled JP Frame — Heavy Duty Cast Iron



**Diagram P**

HP	RPM	Model Number	Frame	Motor Dimension								Flange		Shaft			Keyway			AA	Diagram	
				C	D	E	2F1	2F2	J	O	P	AJ	N-W	U	R	S	ES					
1	1800	PE143JP-1-4	143JP	19.3	3.5	2.75	4	5	1.4	7.1	7	5.875	0	0.8745	0.8740	0.771	0.756	0.190	0.188	1.65	0.75	P
	3600	PE143JP-1.5-2	143JP	19.3	3.5	2.75	4	5	1.4	7.1	7	5.875	0	0.8745	0.8740	0.771	0.756	0.190	0.188	1.65	0.75	P
1.5	1800	PE145JP-1.5-4	145JP	20.3	3.5	2.75	4	5	1.4	7.1	7	5.875	0	0.8745	0.8740	0.771	0.756	0.190	0.188	1.65	0.75	P
	3600	PE145JP-2-2	145JP	20.3	3.5	2.75	4	5	1.4	7.1	7	5.875	0	0.8745	0.8740	0.771	0.756	0.190	0.188	1.65	0.75	P
2	1800	PE145JP-2-4	145JP	20.3	3.5	2.75	4	5	1.4	7.1	7	5.875	0	0.8745	0.8740	0.771	0.756	0.190	0.188	1.65	0.75	P
	3600	PE145JP-3-2	145JP	20.3	3.5	2.75	4	5	1.4	7.1	7	5.875	0	0.8745	0.8740	0.771	0.756	0.190	0.188	1.65	0.75	P
3	1800	PE182JP-3-2	182JP	21.6	4.5	3.75	4.5	5.5	2	9.1	8.7	5.875	0	0.8745	0.8740	0.771	0.756	0.190	0.188	1.65	0.75	P
	3600	PE182JP-3-4	182JP	21.55	4.5	3.75	4.5	5.5	2	9.1	8.7	5.875	0	0.8745	0.8740	0.771	0.756	0.190	0.188	1.65	0.75	P
5	3600	PE184JP-5-2	184JP	22.6	4.5	3.75	4.5	5.5	2	9.1	8.7	5.875	0	0.8745	0.8740	0.771	0.756	0.190	0.188	1.65	0.75	P
	1800	PE184JP-5-4	184JP	22.55	4.5	3.75	4.5	5.5	2	9.1	8.7	5.875	0	0.8745	0.8740	0.771	0.756	0.190	0.188	1.65	0.75	P
7.5	3600	PE184JP-7.5-2	184JP	22.6	4.5	3.75	4.5	5.5	2	9.1	8.7	5.875	0	0.8745	0.8740	0.771	0.756	0.190	0.188	1.65	0.75	P
	1800	PE213JP-7.5-2	213JP	24.65	5.25	4.25	5.5	0	2.4	10.5	10.2	7.25	0	1.2495	1.2490	1.112	1.097	0.252	0.250	2.53	1	P
10	3600	PE213JP-7.5-4	213JP	24.7	5.25	4.25	5.5	0	2.4	10.5	10.2	7.25	0	1.2495	1.2490	1.112	1.097	0.252	0.250	2.53	1	P
	1800	PE215JP-10-2	215JP	26.15	5.25	4.25	5.5	7	2.4	10.5	10.2	7.25	0	1.2495	1.2490	1.112	1.097	0.252	0.250	2.53	1	P
15	1800	PE215JP-10-4	215JP	26.2	5.25	4.25	5.5	7	2.4	10.5	10.2	7.25	0	1.2495	1.2490	1.112	1.097	0.252	0.250	2.53	1	P
	3600	PE215JP-15-2	215JP	26.15	5.25	4.25	5.5	7	2.4	10.5	10.2	7.25	0	1.2495	1.2490	1.112	1.097	0.252	0.250	2.53	1	P
20	1800	PE254JP-15-2	254JP	27.6	6.25	5	8.3	0	2.75	13	12.4	7.25	0	1.2495	1.2490	1.112	1.097	0.252	0.250	2.53	1.25	P
	3600	PE254JP-15-4	254JP	27.58	6.25	5	8.3	0	2.75	13.2	12.8	7.25	0	1.2495	1.2490	1.112	1.097	0.252	0.250	2.53	1.25	P
25	1800	PE256JP-20-2	256JP	29.4	6.25	5	8.3	10	2.75	13	12.4	7.25	0	1.2495	1.2490	1.112	1.097	0.252	0.250	2.53	1.25	P
	3600	PE256JP-20-4	256JP	29.38	6.25	5	8.3	10	2.75	13.2	12.8	7.25	0	1.2495	1.2490	1.112	1.097	0.252	0.250	2.53	1.25	P
30	1800	PE256JP-25-2	256JP	29.4	6.25	5	8.3	10	2.75	13	12.4	7.25	0	1.2495	1.2490	1.112	1.097	0.252	0.250	2.53	1.25	P
	3600	PE284JP-25-2	284JP	30.35	7	5.5	9.5	0	2.75	14.5	14	11	0	1.2495	1.2490	1.112	1.097	0.252	0.250	2.53	1.5	P
30	1800	PE284JP-25-4	284JP	30.4	7	5.5	9.5	0	2.75	14.5	14	11	0	1.2495	1.2490	1.112	1.097	0.252	0.250	2.53	1.5	P
	3600	PE286JP-30-2	286JP	31.85	7	5.5	9.5	11	2.75	14.5	14	11	0	1.2495	1.2490	1.112	1.097	0.252	0.250	2.53	1.5	P
40	1800	PE286JP-30-4	286JP	31.9	7	5.5	9.5	11	2.75	14.5	14	11	0	1.2495	1.2490	1.112	1.097	0.252	0.250	2.53	1.5	P
	3600	PE286JP-40-2	286JP	31.85	7	5.5	9.5	11	2.75	14.5	14	11	0	1.2495	1.2490	1.112	1.097	0.252	0.250	2.53	1.5	P
50	1800	PE324JP-40-2	324JP	32.9	8	6.25	10.5	0	2.75	15.9	15.7	11	0	1.2495	1.2490	1.112	1.097	0.252	0.250	2.53	2	P
	3600	PE324JP-40-4	324JP	32.93	8	6.25	10.5	0	2.75	15.9	15.7	11	0	1.2495	1.2490	1.112	1.097	0.252	0.250	2.53	2	P
50	1800	PE326JP-50-2	326JP	34.4	8	6.25	10.5	12	2.75	15.9	15.7	11	0	1.2495	1.2490	1.112	1.097	0.252	0.250	2.53	2	P
	3600	PE326JP-50-4	326JP	34.43	8	6.25	10.5	12	2.75	15.9	15.7	11	0	1.2495	1.2490	1.112	1.097	0.252	0.250	2.53	2	P
60	1800	PE364JP-60-2	364JP	36	9	7	11.3	12.3	2.95	18.1	17.6	11	0	1.6245	1.6240	1.415	1.401	0.377	0.375	2.53	3	P
	3600	PE364JP-60-4	364JP	35	9	7	11.3	0	2.95	18.5	18.4	11	0	1.6245	1.6240	1.415	1.401	0.377	0.375	2.53	3	P
75	1800	PE365JP-75-2	365JP	36	9	7	11.3	12.3	2.95	18.1	17.6	11	0	1.6245	1.6240	1.415	1.401	0.377	0.375	2.53	3	P
	3600	PE365JP-75-4	365JP	36	9	7	11.3	12.3	2.95	18.5	18.4	11	0	1.6245	1.6240	1.415	1.401	0.377	0.375	2.53	3	P

GENERAL PURPOSE MOTORS

SPECIAL PURPOSE MOTORS

ACCESSORIES

APPENDIX





Phases and HP: 3-Phase, 1–250 HP

Inverter rated: (10:1 VT; 5:1 CT)

Enclosure: Totally enclosed explosion proof (TEXP)

Frame: 143T–449T

# Explosion Proof Cast Iron

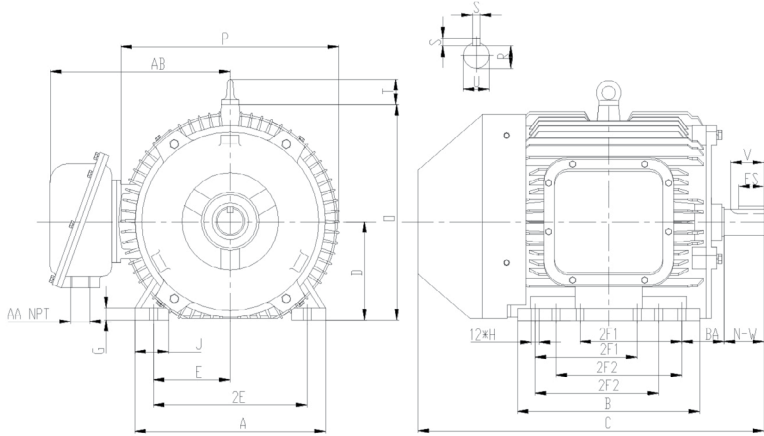


Diagram Q

HP	RPM	Model Number	Frame	Motor Dimension								Flange		Shaft			Keyway			AA	Diagram
				C	D	E	2F1	2F2	J	O	P	AJ	N-W	U	R	S	ES				
1	1800	PEXP143T-1-4	143T	12.6	3.5	2.75	4	5	1.4	7.1	7	0	2.25	0.875	0.771	0.188	1.41	0.75	Q		
	1200	PEXP145T-1-6	145T	14.6	3.5	2.75	4	5	1.4	7.1	7	0	2.25	0.875	0.771	0.188	1.41	0.75	Q		
1.5	3600	PEXP143T-1.5-2	143T	12.6	3.5	2.75	4	5	1.4	7.1	7	0	2.25	0.875	0.771	0.188	1.41	0.75	Q		
	1800	PEXP145T-1.5-4	145T	14.6	3.5	2.75	4	5	1.4	7.1	7	0	2.25	0.875	0.771	0.188	1.41	0.75	Q		
2	1200	PEXP182T-1.5-6	182T	18.43	4.5	3.75	4.5	5.5	1.7	9.93	8.7	0	2.75	1.125	0.986	0.25	1.78	0.75	Q		
	3600	PEXP145T-2-2	145T	14.6	3.5	2.75	4	5	1.4	7.1	7	0	2.25	0.875	0.771	0.188	1.41	0.75	Q		
3	1800	PEXP145T-2-4	145T	14.6	3.5	2.75	4	5	1.4	7.1	7	0	2.25	0.875	0.771	0.188	1.41	0.75	Q		
	1200	PEXP184T-2-6	184T	18.43	4.5	3.75	4.5	5.5	1.7	9.93	8.7	0	2.75	1.125	0.986	0.25	1.78	0.75	Q		
5	3600	PEXP182T-3-2	182T	16.1	4.5	3.75	4.5	5.5	1.7	9.1	8.7	0	2.75	1.125	0.986	0.25	1.78	0.75	Q		
	1800	PEXP182T-3-4	182T	16.1	4.5	3.75	4.5	5.5	1.7	9.1	8.7	0	2.75	1.125	0.986	0.25	1.78	0.75	Q		
7.5	1200	PEXP213T-3-6	213T	18.9	5.25	4.25	5.5	7	2.16	11.2	11.6	0	3.38	1.375	1.201	0.312	2.41	1	Q		
	3600	PEXP184T-5-2	184T	17.1	4.5	3.75	4.5	5.5	1.7	9.1	8.7	0	2.75	1.125	0.986	0.25	1.78	0.75	Q		
10	1800	PEXP184T-5-4	184T	17.1	4.5	3.75	4.5	5.5	1.7	9.1	8.7	0	2.75	1.125	0.986	0.25	1.78	0.75	Q		
	1200	PEXP215T-5-6	215T	20.4	5.25	4.25	5.5	7	2.16	11.2	11.6	0	3.38	1.375	1.201	0.312	2.41	1	Q		
15	3600	PEXP213T-7.5-2	213T	18.9	5.25	4.25	5.5	7	2.16	11.2	11.6	0	3.38	1.375	1.201	0.312	2.41	1	Q		
	1800	PEXP213T-7.5-4	213T	18.9	5.25	4.25	5.5	7	2.16	11.2	11.6	0	3.38	1.375	1.201	0.312	2.41	1	Q		
20	1200	PEXP254T-7.5-6	254T	23.2	6.25	5	8.3	10	2.75	13.2	12.8	0	4	1.625	1.416	0.375	2.91	1.25	Q		
	3600	PEXP215T-10-2	215T	20.4	5.25	4.25	5.5	7	2.16	11.2	11.6	0	3.38	1.375	1.201	0.312	2.41	1	Q		
25	1800	PEXP215T-10-4	215T	20.4	5.25	4.25	5.5	7	2.16	11.2	11.6	0	3.38	1.375	1.201	0.312	2.41	1	Q		
	1200	PEXP256T-10-6	256T	25	6.25	5	8.3	10	2.75	13.2	12.8	0	4	1.625	1.416	0.375	2.91	1.25	Q		
30	3600	PEXP254T-15-2	254T	23.2	6.25	5	8.3	10	2.75	13.2	12.8	0	4	1.625	1.416	0.375	2.91	1.25	Q		
	1800	PEXP254T-15-4	254T	24.95	6.25	5	8.3	10	2.75	13.2	12.8	0	4	1.625	1.416	0.375	2.91	1.25	Q		
40	1200	PEXP284T-15-6	284T	26.6	7	5.5	9.5	11	2.75	14.5	14	0	4.62	1.875	1.591	0.5	3.28	1.5	Q		
	3600	PEXP256T-20-2	256T	25	6.25	5	8.3	10	2.75	13.2	12.8	0	4	1.625	1.416	0.375	2.91	1.25	Q		
50	1800	PEXP256T-20-4	256T	25	6.25	5	8.3	10	2.75	13.2	12.8	0	4	1.625	1.416	0.375	2.91	1.25	Q		
	1200	PEXP286T-20-6	286T	28.54	7	5.5	9.5	11	2.75	15.4	14	0	4.62	1.875	1.591	0.5	3.28	1.5	Q		
60	3600	PEXP284T-25-4	284T	28.54	7	5.5	9.5	11	2.75	15.4	14	0	4.62	1.875	1.591	0.5	3.28	1.5	Q		
	1800	PEXP284TS-25-2	284TS	27.17	7	5.5	9.5	11	2.75	15.4	14	0	3.25	1.625	1.416	0.375	1.91	1.5	Q		
70	1200	PEXP324T-25-6	324T	31.75	8	6.25	10.5	12	2.75	17.45	15.7	0	5.25	2.125	1.845	0.5	3.91	2	Q		
	3600	PEXP286T-30-4	286T	28.54	7	5.5	9.5	11	2.75	15.4	14	0	4.62	1.875	1.591	0.5	3.28	1.5	Q		
80	1800	PEXP286TS-30-2	286TS	27.17	7	5.5	9.5	11	2.75	15.4	14	0	3.25	1.625	1.416	0.375	1.91	1.5	Q		
	1200	PEXP326T-30-6	326T	31.75	8	6.25	10.5	12	2.75	17.45	15.7	0	5.25	2.125	1.845	0.5	3.91	2	Q		
90	3600	PEXP324T-40-4	324T	31.75	8	6.25	10.5	12	2.75	17.45	15.7	0	5.25	2.125	1.845	0.5	3.91	2	Q		
	1800	PEXP324TS-40-2	324TS	30.27	8	6.25	10.5	12	2.75	17.45	15.7	0	3.75	1.875	1.591	0.5	2.03	2	Q		
100	1200	PEXP364T-40-6	364T	34.84	9	7	11.3	0	2.95	18.5	18.4	0	5.88	2.375	2.021	0.625	4.28	3	Q		
	3600	PEXP326T-50-4	326T	31.75	8	6.25	10.5	12	2.75	17.45	15.7	0	5.25	2.125	1.845	0.5	3.91	2	Q		



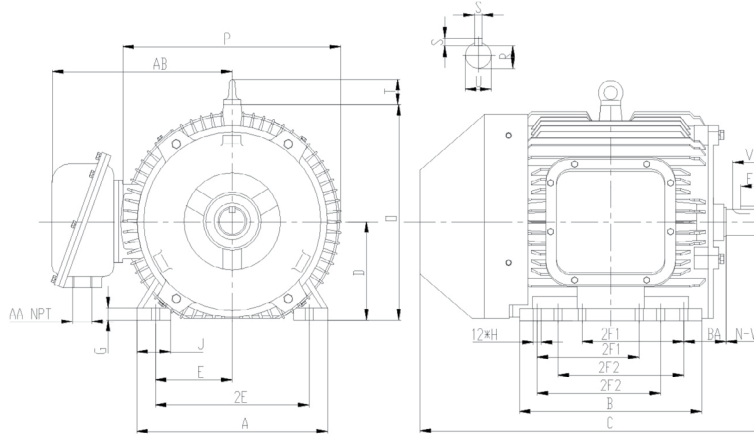
**Phases and HP:** 3-Phase, 1–250 HP

**Inverter rated:** (10:1 VT; 5:1 CT)

**Enclosure:** Totally enclosed explosion proof (TEXP)

**Frame:** 143T–449T

# Explosion Proof Cast Iron



**Diagram Q**

HP	RPM	Model Number	Frame	Motor Dimension								Flange	Shaft			Keyway			AA	Diagram
				C	D	E	2F1	2F2	J	O	P	AJ	N-W	U	R	S	ES			
50	3600	PEXP326TS-50-2	326TS	30.27	8	6.25	10.5	12	2.75	17.45	15.7	0	3.75	1.875	1.591	0.5	2.03	2	Q	
	1200	PEXP365T-50-6	365T	37.7	9	7	0	12.3	2.95	18.5	18.4	0	5.88	2.375	2.021	0.625	4.28	3	Q	
60	1800	PEXP364T-60-4	364T	34.84	9	7	11.3	0	2.95	18.5	18.4	0	5.88	2.375	2.021	0.625	4.28	3	Q	
	3600	PEXP364TS-60-2	364TS	32.7	9	7	11.3	0	2.95	18.97	17.6	0	3.75	1.875	1.591	0.5	2.03	3	Q	
75	1200	PEXP404T-60-6	404T	38.58	10	8	12.3	13.8	3.15	21.1	21.6	0	7.25	2.875	2.45	0.75	5.65	3	Q	
	1800	PEXP365T-75-4	365T	37.7	9	7	0	12.3	2.95	18.5	18.4	0	5.88	2.375	2.021	0.625	4.28	3	Q	
100	3600	PEXP365TS-75-2	365TS	35.55	9	7	0	12.3	2.95	18.97	17.6	0	3.75	1.875	1.591	0.5	2.03	3	Q	
	1200	PEXP405T-75-6	405T	38.58	10	8	12.3	13.8	3.15	21.1	21.6	0	7.25	2.875	2.45	0.75	5.65	3	Q	
125	1800	PEXP405T-100-4	405T	38.58	10	8	12.3	13.8	3.15	21.1	21.6	0	7.25	2.875	2.45	0.75	5.65	3	Q	
	3600	PEXP405TS-100-2	405TS	35.63	10	8	12.3	13.8	3.15	21.5	19.1	0	4.25	2.125	1.845	0.5	2.78	3	Q	
150	1200	PEXP444T-100-6	444T	46.15	11	9	14.5	16.5	3.74	26.64	23.4	0	8.5	3.375	2.88	0.875	6.91	3	Q	
	1800	PEXP444T-125-4	444T	46.15	11	9	14.5	16.5	3.74	26.64	23.4	0	8.5	3.375	2.88	0.875	6.91	3	Q	
200	3600	PEXP444TS-125-2	444TS	42.4	11	9	14.5	16.5	3.74	26.64	23.4	0	4.75	2.375	2.021	0.625	3.03	3	Q	
	1200	PEXP445T-125-6	445T	46.15	11	9	14.5	16.5	3.74	26.64	23.4	0	8.5	3.375	2.88	0.875	6.91	3	Q	
250	1800	PEXP445T-150-4	445T	46.15	11	9	14.5	16.5	3.74	26.64	23.4	0	8.5	3.375	2.88	0.875	6.91	3	Q	
	3600	PEXP445TS-150-2	445TS	42.4	11	9	14.5	16.5	3.74	26.64	23.4	0	4.75	2.375	2.021	0.625	3.03	3	Q	
300	1200	PEXP447T-150-6	447T	55.31	11	9	20	25	3.74	26.64	23.4	0	8.5	3.375	2.88	0.875	6.91	3	Q	
	1800	PEXP447T-200-4	447T	55.31	11	9	20	25	3.74	26.64	23.4	0	8.5	3.375	2.88	0.875	6.91	3	Q	
400	3600	PEXP447TS-200-2	447TS	51.38	11	9	20	25	3.74	26.64	23.4	0	4.75	2.375	2.021	0.625	3.03	3	Q	
	1200	PEXP449T-200-6	449T	55.31	11	9	20	25	3.74	26.64	23.4	0	8.5	3.375	2.88	0.875	6.91	3	Q	
500	1800	PEXP449T-250-4	449T	55.31	11	9	20	25	3.74	26.64	23.4	0	8.5	3.375	2.88	0.875	6.91	3	Q	
	3600	PEXP449TS-250-2	449TS	51.38	11	9	20	25	3.74	26.64	23.4	0	4.75	2.375	2.021	0.625	3.03	3	Q	

GENERAL PURPOSE MOTORS

SPECIAL PURPOSE MOTORS

ACCESSORIES

APPENDIX



Phases and HP: 3-Phase, 1–200 HP

Inverter rated: (10:1 VT; 5:1 CT)

Enclosure: Totally enclosed explosion proof (TEXP)

Frame: 143TC–449TC

# Explosion Proof C-Flange w/Feet — Cast Iron

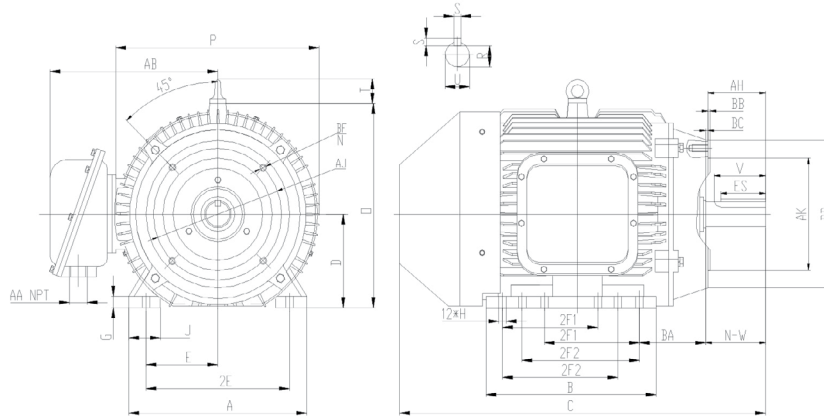


Diagram Q-2

HP	RPM	Model Number	Frame	Motor Dimension								Flange		Shaft			Keyway			AA	Diagram
				C	D	E	2F1	2F2	J	O	P	AJ	N-W	U	R	S	ES				
1	1800	PEXP143TC-1-4	143TC	12.6	3.5	2.75	4	5	1.4	7.1	7	5.88	2.25	0.875	0.771	0.188	1.41	0.75	Q-2		
	1200	PEXP145TC-1-6	145TC	14.6	3.5	2.75	4	5	1.4	7.1	7	5.88	2.25	0.875	0.771	0.188	1.41	0.75	Q-2		
1.5	3600	PEXP143TC-1.5-2	143TC	12.6	3.5	2.75	4	5	1.4	7.83	7	5.88	2.25	0.875	0.771	0.188	1.41	0.75	Q-2		
	1800	PEXP145TC-1.5-4	145TC	14.6	3.5	2.75	4	5	1.4	7.83	7	5.88	2.25	0.875	0.771	0.188	1.41	0.75	Q-2		
2	1200	PEXP182TC-1.5-6	182TC	16.1	4.5	3.75	4.5	5.5	1.7	9.1	8.7	7.25	2.75	1.125	0.986	0.25	1.78	0.75	Q-2		
	3600	PEXP145TC-2-2	145TC	14.6	3.5	2.75	4	5	1.4	7.83	7	5.88	2.25	0.875	0.771	0.188	1.41	0.75	Q-2		
	1800	PEXP145TC-2-4	145TC	14.6	3.5	2.75	4	5	1.4	7.83	7	5.88	2.25	0.875	0.771	0.188	1.41	0.75	Q-2		
3	1200	PEXP184TC-2-6	184TC	17.1	4.5	3.75	4.5	5.5	1.7	9.1	8.7	7.25	2.75	1.125	0.986	0.25	1.78	0.75	Q-2		
	3600	PEXP182TC-3-2	182TC	16.1	4.5	3.75	4.5	5.5	1.7	9.1	8.7	7.25	2.75	1.125	0.986	0.25	1.78	0.75	Q-2		
	1800	PEXP182TC-3-4	182TC	16.1	4.5	3.75	4.5	5.5	1.7	9.1	8.7	7.25	2.75	1.125	0.986	0.25	1.78	0.75	Q-2		
5	1200	PEXP213TC-3-6	213TC	18.9	5.25	4.25	5.5	7	2.16	11.2	11.6	7.25	3.38	1.375	1.201	0.312	2.41	1	Q-2		
	3600	PEXP184TC-5-2	184TC	17.1	4.5	3.75	4.5	5.5	1.7	9.1	8.7	7.25	2.75	1.125	0.986	0.25	1.78	0.75	Q-2		
	1800	PEXP184TC-5-4	184TC	17.1	4.5	3.75	4.5	5.5	1.7	9.93	8.7	7.25	2.75	1.125	0.986	0.25	1.78	0.75	Q-2		
7.5	1200	PEXP215TC-5-6	215TC	20.4	5.25	4.25	5.5	7	2.16	11.2	11.6	7.25	3.38	1.375	1.201	0.312	2.41	1	Q-2		
	3600	PEXP213TC-7.5-2	213TC	18.9	5.25	4.25	5.5	7	2.16	11.2	11.6	7.25	3.38	1.375	1.201	0.312	2.41	1	Q-2		
	1800	PEXP213TC-7.5-4	213TC	18.9	5.25	4.25	5.5	7	2.16	11.2	11.6	7.25	3.38	1.375	1.201	0.312	2.41	1	Q-2		
10	1200	PEXP254TC-7.5-6	254TC	23.2	6.25	5	8.3	10	2.75	13.2	12.8	7.25	4	1.625	1.416	0.375	2.91	1.25	Q-2		
	3600	PEXP215TC-10-2	215TC	20.4	5.25	4.25	5.5	7	2.16	11.2	11.6	7.25	3.38	1.375	1.201	0.312	2.41	1	Q-2		
	1800	PEXP215TC-10-4	215TC	20.4	5.25	4.25	5.5	7	2.16	11.2	11.6	7.25	3.38	1.375	1.201	0.312	2.41	1	Q-2		
15	1200	PEXP256TC-10-6	256TC	25	6.25	5	8.3	10	2.75	13.2	12.8	7.25	4	1.625	1.416	0.375	2.91	1.25	Q-2		
	3600	PEXP254TC-15-2	254TC	23.2	6.25	5	8.3	10	2.75	13.2	12.8	7.25	4	1.625	1.416	0.375	2.91	1.25	Q-2		
	1800	PEXP254TC-15-4	254TC	24.95	6.25	5	8.3	10	2.75	13.2	12.8	7.25	4	1.625	1.416	0.375	2.91	1.25	Q-2		
20	1200	PEXP284TC-15-6	284TC	26.6	7	5.5	9.5	11	2.75	14.5	14	9	4.62	1.875	1.591	0.5	3.28	1.5	Q-2		
	3600	PEXP256TC-20-2	256TC	25	6.25	5	8.3	10	2.75	13.2	12.8	7.25	4	1.625	1.416	0.375	2.91	1.25	Q-2		
	1800	PEXP256TC-20-4	256TC	25	6.25	5	8.3	10	2.75	13.2	12.8	7.25	4	1.625	1.416	0.375	2.91	1.25	Q-2		
25	1200	PEXP286TC-20-6	286TC	28.1	7	5.5	9.5	11	2.75	14.5	14	9	4.62	1.875	1.591	0.5	3.28	1.5	Q-2		
	3600	PEXP284TC-25-2	284TC	26.6	7	5.5	9.5	11	2.75	14.5	14	9	4.62	1.875	1.591	0.5	3.28	1.5	Q-2		
	1800	PEXP284TC-25-4	284TC	26.6	7	5.5	9.5	11	2.75	14.5	14	9	4.62	1.875	1.591	0.5	3.28	1.5	Q-2		
30	1200	PEXP324TC-25-6	324TC	29.8	8	6.25	10.5	12	2.75	15.9	15.7	11	5.25	2.125	1.845	0.5	3.91	2	Q-2		
	3600	PEXP286TC-30-2	286TC	27.17	7	5.5	9.5	11	2.75	14.5	14	9	3.25	1.625	1.416	0.375	1.91	1.5	Q-2		
	1800	PEXP286TC-30-4	286TC	27.17	7	5.5	9.5	11	2.75	14.5	14	9	3.25	1.625	1.416	0.375	1.91	1.5	Q-2		
40	1200	PEXP326TC-30-6	326TC	31.3	8	6.25	10.5	12	2.75	15.9	15.7	11	5.25	2.125	1.845	0.5	3.91	2	Q-2		
	3600	PEXP324TC-40-2	324TC	29.8	8	6.25	10.5	12	2.75	15.9	15.7	11	5.25	2.125	1.845	0.5	3.91	2	Q-2		
	1800	PEXP324TSC-40-2	324TSC	30.27	8	6.25	10.5	12	2.75	15.9	15.7	11	3.75	1.875	1.591	0.5	2.03	2	Q-2		
50	1200	PEXP364TC-40-6	364TC	34.84	9	7	11.3	0	2.95	18.5	18.4	11	5.88	2.375	2.021	0.625	4.28	3	Q-2		
	1800	PEXP326TC-50-4	326TC	31.3	8	6.25	10.5	12	2.75	15.9	15.7	11	5.25	2.125	1.845	0.5	3.91	2	Q-2		



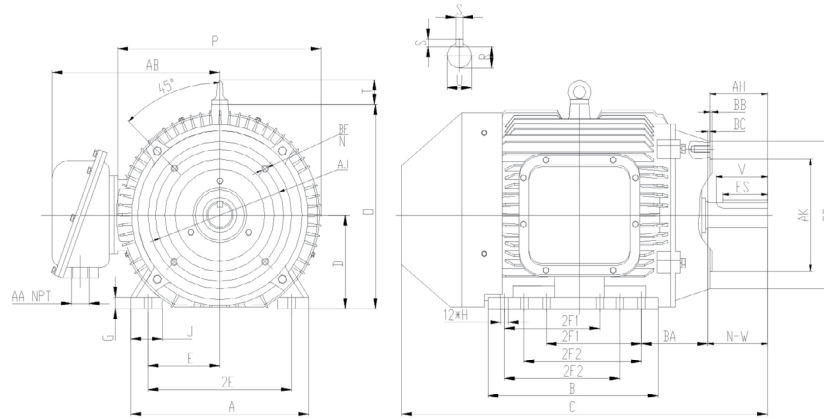
**Phases and HP:** 3-Phase, 1–200 HP

**Inverter rated:** (10:1 VT; 5:1 CT)

**Enclosure:** Totally enclosed explosion proof (TEXP)

**Frame:** 143TC–449TC

# Explosion Proof C-Flange w/Feet — Cast Iron



**Diagram Q-2**

HP	RPM	Model Number	Frame	Motor Dimension								Flange		Shaft			Keyway			AA	Diagram
				C	D	E	2F1	2F2	J	O	P	AJ	N-W	U	R	S	ES				
50	3600	PEXP326TSC-50-2	326TSC	30.27	8	6.25	10.5	12	2.75	15.9	15.7	11	3.75	1.875	1.591	0.5	2.03	2	Q-2		
	1200	PEXP365TC-50-6	365TC	37.7	9	7	0	12.3	2.95	18.5	18.4	11	5.88	2.375	2.021	0.625	4.28	3	Q-2		
60	1800	PEXP364TC-60-4	364TC	34.84	9	7	11.3	0	2.95	18.5	18.4	11	5.88	2.375	2.021	0.625	4.28	3	Q-2		
	3600	PEXP364TSC-60-2	364TSC	32.7	9	7	11.3	0	2.95	18.1	17.6	11	3.75	1.875	1.591	0.5	2.03	3	Q-2		
75	1200	PEXP404TC-60-6	404TC	38.58	10	8	12.3	13.8	3.15	21.1	21.6	11	7.25	2.875	2.45	0.75	5.65	3	Q-2		
	1800	PEXP365TC-75-4	365TC	37.7	9	7	0	12.3	2.95	18.5	18.4	11	5.88	2.375	2.021	0.625	4.28	3	Q-2		
100	3600	PEXP365TSC-75-2	365TSC	35.55	9	7	0	12.3	2.95	18.1	17.6	11	3.75	1.875	1.591	0.5	2.03	3	Q-2		
	1200	PEXP405TC-75-6	405TC	38.58	10	8	12.3	13.8	3.15	21.1	21.6	11	7.25	2.875	2.45	0.75	5.65	3	Q-2		
125	1800	PEXP405TC-100-4	405TC	38.58	10	8	12.3	13.8	3.15	21.1	21.6	11	7.25	2.875	2.45	0.75	5.65	3	Q-2		
	3600	PEXP405TSC-100-2	405TSC	35.63	10	8	12.3	13.8	3.15	19.8	19.1	11	4.25	2.125	1.845	0.5	2.78	3	Q-2		
150	1200	PEXP444TC-100-6	444TC	44.3	11	9	14.5	16.5	3.74	26.64	23.4	14	8.5	3.375	2.88	0.875	6.91	3	Q-2		
	1800	PEXP444TC-125-4	444TC	44.3	11	9	14.5	16.5	3.74	26.64	23.4	14	8.5	3.375	2.88	0.875	6.91	3	Q-2		
200	3600	PEXP444TSC-125-2	444TSC	40.6	11	9	14.5	16.5	3.74	26.64	23.4	14	4.75	2.375	2.021	0.625	3.03	3	Q-2		
	1200	PEXP445TC-125-6	445TC	44.3	11	9	14.5	16.5	3.74	26.64	23.4	14	8.5	3.375	2.88	0.875	6.91	3	Q-2		
250	1800	PEXP445TC-150-4	445TC	44.3	11	9	14.5	16.5	3.74	26.64	23.4	14	8.5	3.375	2.88	0.875	6.91	3	Q-2		
	3600	PEXP445TSC-150-2	445TSC	40.6	11	9	14.5	16.5	3.74	27.64	23.4	14	4.75	2.375	2.021	0.625	3.03	3	Q-2		
300	1200	PEXP447TC-150-6	447TC	47.8	11	9	20	25	3.74	26.64	23.4	14	8.5	3.375	2.88	0.875	6.91	3	Q-2		
	1800	PEXP447TC-200-4	447TC	47.8	11	9	20	25	3.74	26.64	23.4	14	8.5	3.375	2.88	0.875	6.91	3	Q-2		
400	3600	PEXP447TSC-200-2	447TSC	44.1	11	9	20	25	3.74	26.64	23.4	14	4.75	2.375	2.021	0.625	3.03	3	Q-2		
	1200	PEXP449TC-200-6	449TC	52.8	11	9	20	25	3.74	26.64	23.4	14	8.5	3.375	2.88	0.875	6.91	3	Q-2		
500	1800	PEXP449TC-250-4	449TC	0	11	9	20	25	3.74	26.64	25.2	0	8.5	3.375	2.88	0.625	6.91	3	Q-2		
	3600	PEXP449TSC-250-2	449TSC	0	11	9	20	25	3.74	26.64	25.2	0	4.75	2.375	2.021	0.625	3.03	3	Q-2		

GENERAL PURPOSE MOTORS

SPECIAL PURPOSE MOTORS

ACCESSORIES

APPENDIX



Phases and HP: 3-Phase, 2–150 HP

Inverter duty: (20:1 VT; 10:1 CT)

Enclosure: Totally enclosed fan cooled (TEFC)

Frame: 184T–449T

# Oil Well Pump

## Cast Iron

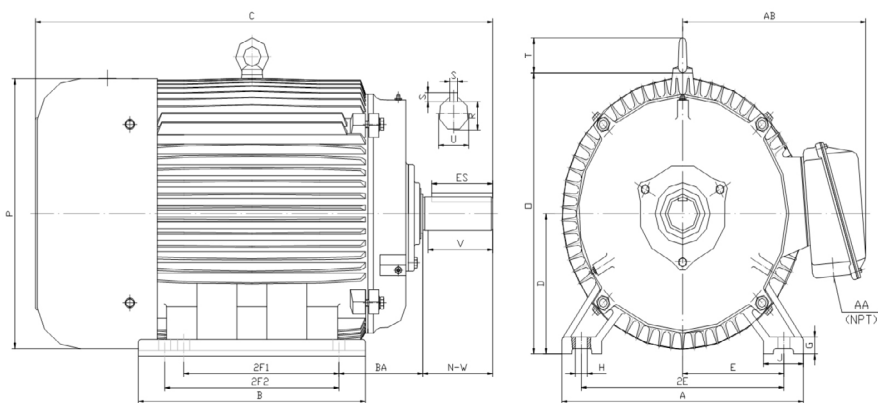


Diagram R

HP	RPM	Model Number	Frame	Motor Dimension								Flange	Shaft			Keyway			AA	Diagram
				C	D	E	2F1	2F2	J	O	P	AJ	N-W	U	R	S	ES			
2	1200	OWP184T-2-6	184T	16.1	4.5	3.75	4.5	5.5	2	9.1	8.7	0	2.75	1.125	0.986	0.25	1.78	0.75	R	
	900	OWP184T-2-8	184T	16.1	4.5	3.75	4.5	5.5	2	9.1	8.7	0	2.75	1.125	0.986	0.25	1.78	0.75	R	
3	1200	OWP213T-3-6	213T	18.9	5.25	4.25	5.5	0	2.4	10.5	10.2	0	3.38	1.375	1.201	0.312	2.41	1	R	
	900	OWP215T-3-8	215T	20.4	5.25	4.25	5.5	7	2.4	10.5	10.2	0	3.38	1.375	1.201	0.312	2.41	1	R	
5	1200	OWP215T-5-6	215T	20.4	5.25	4.25	5.5	7	2.4	10.5	10.2	0	3.38	1.375	1.201	0.312	2.41	1	R	
	900	OWP254T-5-8	254T	23.2	6.25	5	8.3	0	2.75	13	12.4	0	4	1.625	1.416	0.375	2.91	1.25	R	
7.5	1200	OWP254T-7.5-6	254T	23.2	6.25	5	8.3	0	2.75	13	12.4	0	4	1.625	1.416	0.375	2.91	1.25	R	
	900	OWP256T-7.5-8	256T	25	6.25	5	8.3	10	2.75	13	12.4	0	4	1.625	1.416	0.375	2.91	1.25	R	
10	1200	OWP256T-10-6	256T	25	6.25	5	8.3	10	2.75	13	12.4	0	4	1.625	1.416	0.375	2.91	1.25	R	
	900	OWP284T-10-8	284T	26.6	7	5.5	9.5	0	2.75	14.5	14	0	4.62	1.875	1.591	0.5	3.28	1.5	R	
15	1200	OWP284T-15-6	284T	26.6	7	5.5	9.5	0	2.75	14.5	14	0	4.62	1.875	1.591	0.5	3.28	1.5	R	
	900	OWP286T-15-8	286T	28.1	7	5.5	9.5	11	2.75	14.5	14	0	4.62	1.875	1.591	0.5	3.28	1.5	R	
20	1200	OWP286T-20-6	286T	28.1	7	5.5	9.5	11	2.75	14.5	14	0	4.62	1.875	1.591	0.5	3.28	1.5	R	
	900	OWP324T-20-8	324T	29.8	8	6.25	10.5	0	2.75	15.9	15.7	0	5.25	2.125	1.845	0.5	3.91	2	R	
25	1200	OWP324T-25-6	324T	29.8	8	6.25	10.5	0	2.75	15.9	15.7	0	5.25	2.125	1.845	0.5	3.91	2	R	
	900	OWP326T-25-8	326T	31.3	8	6.25	10.5	12	2.75	15.9	15.7	0	5.25	2.125	1.845	0.5	3.91	2	R	
30	1200	OWP326T-30-6	326T	31.3	8	6.25	10.5	12	2.75	15.9	15.7	0	5.25	2.125	1.845	0.5	3.91	2	R	
	900	OWP364T-30-8	364T	32.5	9	7	11.3	0	2.95	18.1	17.6	0	5.88	2.375	2.021	0.625	4.28	3	R	
40	1200	OWP365T-40-6	365T	33.5	9	7	11.3	12.3	2.95	18.1	17.6	0	5.88	2.375	2.021	0.625	4.28	3	R	
	900	OWP365T-40-8	365T	33.5	9	7	11.3	12.3	2.95	18.1	17.6	0	5.88	2.375	2.021	0.625	4.28	3	R	
50	1200	OWP404T-50-6	404T	36.5	10	8	12.3	0	3.15	19.8	19.1	0	7.25	2.875	2.45	0.75	5.65	3	R	
	900	OWP404T-50-8	404T	36.5	10	8	12.3	0	3.15	19.8	19.1	0	7.25	2.875	2.45	0.75	5.65	3	R	
60	1200	OWP405T-60-6	405T	38	10	8	12.3	13.8	3.15	19.8	19.1	0	7.25	2.875	2.45	0.75	5.65	3	R	
	900	OWP405T-60-8	405T	38	10	8	12.3	13.8	3.15	19.8	19.1	0	7.25	2.875	2.45	0.75	5.65	3	R	
75	1200	OWP444T-75-6	444T	44.3	11	9	14.5	16.5	3.35	22.1	21.6	0	8.5	3.375	2.88	0.875	6.91	3	R	
	900	OWP444T-75-8	444T	44.3	11	9	14.5	16.5	3.35	22.1	21.6	0	8.5	3.375	2.88	0.875	6.91	3	R	
100	1200	OWP445T-100-6	445T	44.3	11	9	14.5	16.5	3.35	22.1	21.6	0	8.5	3.375	2.88	0.875	6.91	3	R	
	900	OWP445T-100-8	445T	44.3	11	9	14.5	16.5	3.35	22.1	21.6	0	8.5	3.375	2.88	0.875	6.91	3	R	
125	1200	OWP447T-125-6	447T	47.8	11	9	16.5	20	3.35	23	23.4	0	8.5	3.375	2.88	0.875	6.91	3	R	
150	1200	OWP449T-150-6	449T	52.8	11	9	20	25	3.35	23	23.4	0	8.5	3.375	2.88	0.875	6.91	3	R	



**Phases and HP:** 3-Phase, 7.5–100 HP

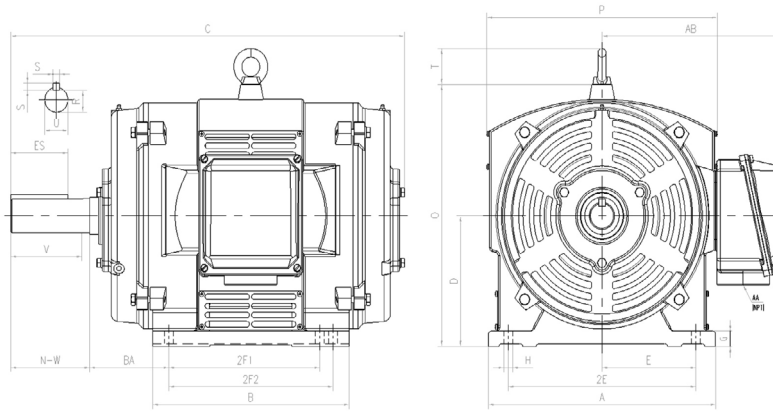
**Inverter duty:** (20:1 VT; 10:1 CT)

**Enclosure:** Open Drip Proof (ODP)

**Frame:** 254T–444T

# Oil Well Pump

## Cast Iron



**Diagram S**

HP	RPM	Model Number	Frame	Motor Dimension								Flange		Shaft			Keyway			AA	Diagram
				C	D	E	2F1	2F2	J	O	P	AJ	N-W	U	R	S	ES				
7.5	1200	OWP254T-7.5-6-ODP	254T	22.2	6.25	5	8.3	10	0	13	12.9	0	4	1.625	1.416	0.375	2.91	1.25	S		
10	1200	OWP256T-10-6-ODP	256T	22.15	6.25	5	8.3	10	0	13	12.9	0	4	1.625	1.416	0.375	2.91	1.25	S		
15	1200	OWP284T-15-6-ODP	284T	24.8	7	5.5	9.5	11	0	14.3	14	0	4.62	1.875	1.591	0.5	3.28	1.5	S		
20	1200	OWP286T-20-6-ODP	286T	24.8	7	5.5	9.5	11	0	14.3	14	0	4.62	1.875	1.591	0.5	3.28	1.5	S		
25	1200	OWP324T-25-6-ODP	324T	27.1	8	6.25	10.5	12	0	16.1	15.4	0	5.25	2.125	1.845	0.5	3.91	2	S		
30	1200	OWP326T-30-6-ODP	326T	27.1	8	6.25	10.5	12	0	16.1	15.4	0	5.25	2.125	1.845	0.5	3.91	2	S		
40	1200	OWP365T-40-6-ODP	365T	29.3	9	7	11.3	12.3	0	18.1	17.2	0	5.88	2.375	2.021	0.625	4.28	3	S		
50	1200	OWP404T-50-6-ODP	404T	33.3	10	8	12.3	13.8	0	21	20.3	0	7.25	2.875	2.45	0.75	5.65	3	S		
60	1200	OWP405T-60-6-ODP	405T	33.3	10	8	12.3	13.8	0	21	20.3	0	7.25	2.875	2.45	0.75	5.65	3	S		
75	1200	OWP405T-75-6-ODP	405T	22.3	10	8	12.3	13.8	0	21	20.3	0	7.25	2.875	2.45	0.75	5.65	3	S		
100	1200	OWP444T-100-6-ODP	444T	39.5	11	9	14.5	16.5	0	22.6	23.3	0	8.5	3.375	2.88	0.875	6.91	3	S		

GENERAL PURPOSE MOTORS

SPECIAL PURPOSE MOTORS

ACCESSORIES

APPENDIX

Phases and HP: 3-Phase, 10–500 HP  
 Enclosure: Open weather-protected  
 Machine Type 1–WP1

Frame: 215TP–5008P  
 Inverter rated: (10:1 VT)  
 High/ Extra High Thrust

# VHS-V1 Series

## Cast Iron/Plate Steel

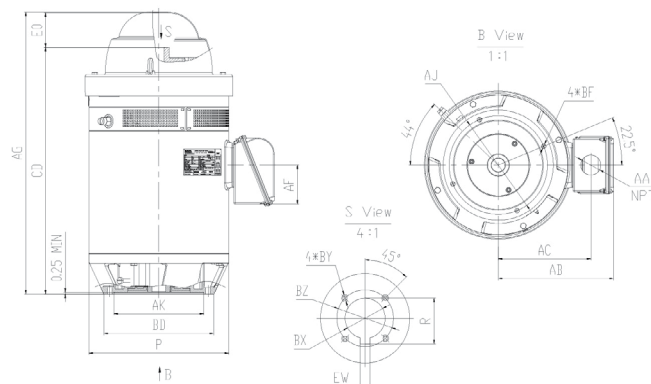


Diagram T

HP	RPM	Model Number	Frame	Mounting Dimensions																Mount/ Coupling	Diagram	
				P	AK	AJ	AG	BD	N*BF	BX	BY	BZ	CD	R	E0>	EW	AA	AB	AC			AF
10	1800	V1-10D4-W21510A	215TP	15.24	8.3	9.13	21.79	10	0.44	1	10-32	1.38	17.56	1.11	4.03	0.25	1" NPT	14.17	10.6	5.83	1	T
15	1800	V1-15D4-W25410A	254TP	15.24	8.3	9.13	26.8	10	0.44	1	10-32	1.38	23.4	1.11	3.22	0.25	3" NPT	14.17	10.6	5.83	1	T
20	1800	V1-20D4-W25610A	256TP	15.24	8.3	9.13	26.8	10	0.44	1	10-32	1.38	23.38	1.11	3.22	0.25	3" NPT	14.17	10.6	5.83	1	T
25	1800	V1-25D4-W28410A	284TP	15.24	8.3	9.13	28.2	10	0.44	1	10-32	1.38	24.8	1.11	3.22	0.25	3" NPT	14.17	10.6	5.83	1	T
		V1-25D4-W28410B	284TP	15.24	8.3	9.13	28.2	10	0.44	1.19	1/4-20	1.75	24.75	1.3	3.22	0.25	3" NPT	14.17	10.6	5.83	1.188	T
30	1800	V1-30D4-W28610A	286TP	15.24	8.3	9.13	28.2	10	0.44	1	10-32	1.38	24.8	1.11	3.22	0.25	3" NPT	14.17	10.6	5.83	1	T
		V1-30D4-W28610B	286TP	15.24	8.3	9.13	28.2	10	0.44	1.19	1/4-20	1.75	24.75	1.3	3.22	0.25	3" NPT	14.17	10.6	5.83	1.188	T
40	1800	V1-40D4-W32416A	324TP	17.32	13.5	14.75	32.7	16.5	0.69	1.25	1/4-20	1.75	28.22	1.37	4.22	0.25	3" NPT	15.44	11.65	5.83	1.25	T
		V1-40D4-W32416B	324TP	17.32	13.5	14.75	32.7	16.5	0.69	1.19	1/4-20	1.75	28.2	1.3	4.22	0.25	3" NPT	15.44	11.65	5.83	1.188	T
		V1-40S4-W32416A	324TP	17.32	13.5	14.75	32.7	16.5	0.69	1.25	1/4-20	1.75	28.22	1.37	4.22	0.25	3" NPT	15.44	11.65	5.83	1.25	T
		V1-40S4-W32416B	324TP	17.32	13.5	14.75	32.7	16.5	0.69	1.19	1/4-20	1.75	28.22	1.3	4.22	0.25	3" NPT	15.44	11.65	5.83	1.188	T
50	1800	V1-50D4-W32616A	326TP	17.32	13.5	14.75	32.7	16.5	0.69	1.25	1/4-20	1.75	28.22	1.37	4.22	0.25	3" NPT	15.44	11.65	5.83	1.25	T
		V1-50D4-W32616B	326TP	17.32	13.5	14.75	32.7	16.5	0.69	1.19	1/4-20	1.75	28.22	1.3	4.22	0.25	3" NPT	15.44	11.65	5.83	1.188	T
		V1-50S4-W32616A	326TP	17.32	13.5	14.75	32.7	16.5	0.69	1.25	1/4-20	1.75	28.2	1.37	4.22	0.25	3" NPT	15.44	11.65	5.83	1.25	T
		V1-50S4-W32616B	326TP	17.32	13.5	14.75	32.7	16.5	0.69	1.19	1/4-20	1.75	28.2	1.3	4.22	0.25	3" NPT	15.44	11.65	5.83	1.188	T
60	1800	V1-60D4-W36416A	364TP	19.1	13.5	14.75	36	16.5	0.69	1.25	1/4-20	1.75	31.16	1.37	4.56	0.25	3" NPT	16.32	12.56	5.83	1.25	T
		V1-60D4-W36416B	364TP	19.1	13.5	14.75	36	16.5	0.69	1.19	1/4-20	1.75	31.2	1.3	4.56	0.25	3" NPT	16.32	12.56	5.83	1.188	T
		V1-60S4-W36416A	364TP	19.1	13.5	14.75	36	16.5	0.69	1.25	1/4-20	1.75	31.16	1.37	4.56	0.25	3" NPT	16.32	12.56	5.83	1.25	T
		V1-60S4-W36416B	364TP	19.1	13.5	14.75	36	16.5	0.69	1.19	1/4-20	1.75	31.2	1.3	4.56	0.25	3" NPT	16.32	12.56	5.83	1.188	T
75	1800	V1-75D4-W36516A	365TP	19.1	13.5	14.75	36	16.5	0.69	1.25	1/4-20	1.75	31.16	1.37	4.56	0.25	3" NPT	16.32	12.56	5.83	1.25	T
		V1-75D4-W36516B	365TP	19.1	13.5	14.75	36	16.5	0.69	1.19	1/4-20	1.75	31.2	1.3	4.56	0.25	3" NPT	16.32	12.56	5.83	1.188	T
		V1-75S4-W36516A	365TP	19.1	13.5	14.75	36	16.5	0.69	1.25	1/4-20	1.75	31.16	1.37	4.56	0.25	3" NPT	16.32	12.56	5.83	1.25	T
		V1-75S4-W36516B	365TP	19.1	13.5	14.75	36	16.5	0.69	1.19	1/4-20	1.75	31.2	1.3	4.56	0.25	3" NPT	16.32	12.56	5.83	1.188	T
100	1800	V1-100D4-W40416A	404TP	21	13.5	14.75	42.2	16.5	0.69	1.5	1/4-20	2.125	36.94	1.71	4.56	0.375	3" NPT	17.3	13.68	5.83	1.5	T
		V1-100D4-W40416B	404TP	21	13.5	14.75	42.2	16.5	0.69	1.19	1/4-20	2.125	36.9	1.3	4.56	0.25	3" NPT	17.3	13.68	5.83	1.188	T
		V1-100S4-W40416A-EHT	404TP	21	13.5	14.75	42.2	16.5	0.69	1.5	1/4-20	2.125	36.9	1.71	4.56	0.375	3" NPT	17.3	13.68	5.83	1.5	T
125	1800	V1-125S4-W40516A-EHT	405TP	21	13.5	14.75	42.2	16.5	0.69	1.5	1/4-20	2.125	36.9	1.71	4.56	0.375	3" NPT	17.3	13.68	5.83	1.5	T
		V1-150S4-W44416A-EHT	444TP	23.3	13.5	14.75	50.29	16.5	0.69	1.69	1/4-20	2.5	44.8	1.85	5.4	0.375	3" NPT	20.7	16.18	7.56	1.69	T
200	1800	V1-200S4-W44516A-EHT-14	445TP	23.3	13.5	14.75	50.29	16.5	0.69	1.69	1/4-20	2.5	44.8	1.85	5.4	0.375	3" NPT	20.7	16.18	7.56	1.69	T
		V1-200S4-W44516A-EHT-19	445TP	23.3	13.5	14.75	50.29	16.5	0.69	1.69	1/4-20	2.5	44.8	1.85	5.4	0.375	3" NPT	20.7	16.18	7.56	1.69	T
250	1800	V1-250S4-W44516A-EHT-14	445TP	23.3	13.5	14.75	50.29	16.5	0.69	1.94	1/4-20	2.5	44.8	2.16	5.4	0.5	3" NPT	20.7	16.18	7.56	1.938	T
		V1-250S4-W44516A-EHT-19	445TP	23.3	13.5	14.75	50.29	16.5	0.69	1.94	1/4-20	2.5	44.8	2.16	5.4	0.5	3" NPT	20.7	16.18	7.56	1.938	T
400	1800	V1-400S4-W500824A-EHT	5008P	28.98	13.5	14.75	61.88	24.5	0.69	1.94	1/4-20	2.5	53.88	2.16	8.1	0.5	2-3" NPT	27.38	22.2	7.87	1.938	T

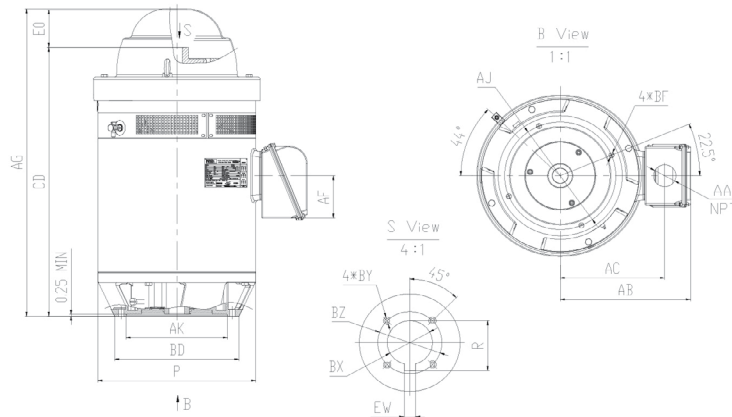


**Phases and HP:** 3-Phase, 10–500 HP  
**Enclosure:** Open weather-protected  
**Machine Type 1–WP1**

**Frame:** 215TP–5008P  
**Inverter duty:** (20:1 VT)  
**High/ Extra High Thrust**

# VHS-V2Series

## Cast Iron/Plate Steel



**Diagram T**

HP	RPM	Model Number	Frame	Mounting Dimensions																	Mount/ Coupling	Diagram
				P	AK	AJ	AG	BD	N*BF	BX	BY	BZ	CD	R	EO>	EW	AA	AB	AC	AF		
10	1800	V2-10D4-W21510A	215TP	15.24	8.3	9.13	21.79	10	0.44	1	10-32	1.38	17.6	1.11	4.03	0.25	1" NPT	14.17	10.6	5.83	1	T
15	1800	V2-15D4-W25410A	254TP	15.24	8.3	9.13	26.8	10	0.44	1	10-32	1.38	23.38	1.11	3.22	0.25	3" NPT	14.17	10.6	5.83	1	T
20	1800	V2-20D4-W25610A	256TP	15.24	8.3	9.13	26.8	10	0.44	1	10-32	1.38	23.4	1.11	3.22	0.25	3" NPT	14.17	10.6	5.83	1	T
25	1800	V2-25D4-W28410A	284TP	15.24	8.3	9.13	28.2	10	0.44	1	10-32	1.38	24.75	1.11	3.22	0.25	3" NPT	14.17	10.6	5.83	1	T
		V2-25D4-W28410B	284TP	15.24	8.3	9.13	28.2	10	0.44	1.19	1/4-20	1.75	24.8	1.3	3.22	0.25	3" NPT	14.17	10.6	5.83	1.188	T
30	1800	V2-30D4-W28610A	286TP	15.24	8.3	9.13	28.2	10	0.44	1	10-32	1.38	24.75	1.11	3.22	0.25	3" NPT	14.17	10.6	5.83	1	T
		V2-30D4-W28610B	286TP	15.24	8.3	9.13	28.2	10	0.44	1.19	1/4-20	1.75	24.8	1.3	3.22	0.25	3" NPT	14.17	10.6	5.83	1.188	T
40	1800	V2-40D4-W32416A	324TP	17.32	13.5	14.8	32.7	16.5	0.69	1.25	1/4-20	1.75	28.22	1.37	4.22	0.25	3" NPT	15.44	11.65	5.83	1.25	T
		V2-40D4-W32416B	324TP	17.32	13.5	14.8	32.7	16.5	0.69	1.19	1/4-20	1.75	28.2	1.3	4.22	0.25	3" NPT	15.44	11.65	5.83	1.188	T
		V2-40S4-W32416A	324TP	17.32	13.5	14.8	32.7	16.5	0.69	1.25	1/4-20	1.75	28.22	1.37	4.22	0.25	3" NPT	15.44	11.65	5.83	1.25	T
		V2-40S4-W32416B	324TP	17.32	13.5	14.75	32.7	16.5	0.69	1.19	1/4-20	1.75	28.22	1.3	4.22	0.25	3" NPT	15.44	11.65	5.83	1.188	T
50	1800	V2-50D4-W32616A	326TP	17.32	13.5	14.8	32.7	16.5	0.69	1.25	1/4-20	1.75	28.2	1.37	4.22	0.25	3" NPT	15.44	11.65	5.83	1.25	T
		V2-50D4-W32616B	326TP	17.32	13.5	14.8	32.7	16.5	0.69	1.19	1/4-20	1.75	28.22	1.3	4.22	0.25	3" NPT	15.44	11.65	5.83	1.188	T
		V2-50S4-W32616A	326TP	17.32	13.5	14.8	32.7	16.5	0.69	1.25	1/4-20	1.75	28.2	1.37	4.22	0.25	3" NPT	15.44	11.65	5.83	1.25	T
60	1800	V2-60D4-W36416A	364TP	19.1	13.5	14.8	36	16.5	0.69	1.25	1/4-20	1.75	31.16	1.37	4.56	0.25	3" NPT	16.32	12.56	5.83	1.25	T
		V2-60D4-W36416B	364TP	19.1	13.5	14.8	36	16.5	0.69	1.19	1/4-20	1.75	31.2	1.3	4.56	0.25	3" NPT	16.32	12.56	5.83	1.188	T
		V2-60S4-W36416A	364TP	19.1	13.5	14.8	36	16.5	0.69	1.25	1/4-20	1.75	31.16	1.37	4.56	0.25	3" NPT	16.32	12.56	5.83	1.25	T
		V2-60S4-W36416B	364TP	19.1	13.5	14.8	36	16.5	0.69	1.19	1/4-20	1.75	31.2	1.3	4.56	0.25	3" NPT	16.32	12.56	5.83	1.188	T
75	1800	V2-75D4-W36516A	365TP	19.1	13.5	14.8	36	16.5	0.69	1.25	1/4-20	1.75	31.16	1.37	4.56	0.25	3" NPT	16.32	12.56	5.83	1.25	T
		V2-75D4-W36516B	365TP	19.1	13.5	14.8	36	16.5	0.69	1.19	1/4-20	1.75	31.2	1.3	4.56	0.25	3" NPT	16.32	12.56	5.83	1.188	T
		V2-75S4-W36516A	365TP	19.1	13.5	14.8	36	16.5	0.69	1.25	1/4-20	1.75	31.16	1.37	4.56	0.25	3" NPT	16.32	12.56	5.83	1.25	T
100	1800	V2-100D4-W40416A	404TP	21	13.5	14.8	42.2	16.5	0.69	1.5	1/4-20	2.125	36.94	1.71	4.56	0.375	3" NPT	17.3	13.68	5.83	1.5	T
		V2-100D4-W40416B	404TP	21	13.5	14.8	42.2	16.5	0.69	1.19	1/4-20	2.125	36.9	1.3	4.56	0.25	3" NPT	17.3	13.68	5.83	1.188	T
		V2-100S4-W40416A-EHT	404TP	21	13.5	14.8	42.2	16.5	0.69	1.5	1/4-20	2.125	36.9	1.71	4.56	0.375	3" NPT	17.3	13.68	5.83	1.5	T
		V2-100S4-W40416A	404TP	21	13.5	14.8	42.2	16.5	0.69	1.5	1/4-20	2.125	36.94	1.71	4.56	0.375	3" NPT	17.3	13.68	5.83	1.5	T
125	1800	V2-125S4-W40516A-EHT	405TP	21	13.5	14.8	42.2	16.5	0.69	1.5	1/4-20	2.125	36.9	1.71	4.56	0.375	3" NPT	17.3	13.68	5.83	1.5	T
150	1800	V2-150S4-W44416A-EHT	444TP	23.3	13.5	14.8	50.29	16.5	0.69	1.69	1/4-20	2.5	44.8	1.85	5.4	0.375	3" NPT	20.7	16.18	7.56	1.69	T
		V2-200S4-W44516A-EHT-14	445TP	23.3	13.5	14.8	50.29	16.5	0.69	1.69	1/4-20	2.5	44.8	1.85	5.4	0.375	3" NPT	20.7	16.18	7.56	1.69	T
200	1800	V2-200S4-W44516A-EHT-19	445TP	23.3	13.5	14.8	50.29	16.5	0.69	1.69	1/4-20	2.5	44.8	1.85	5.4	0.375	3" NPT	20.7	16.18	7.56	1.69	T
		V2-250S4-W44516A-EHT-14	445TP	23.3	13.5	14.8	50.29	16.5	0.69	1.94	1/4-20	2.5	44.8	2.16	5.4	0.5	3" NPT	20.7	16.18	7.56	1.938	T
250	1800	V2-250S4-W44516A-EHT-19	445TP	23.3	13.5	14.8	50.29	16.5	0.69	1.94	1/4-20	2.5	44.8	2.16	5.4	0.5	3" NPT	20.7	16.18	7.56	1.938	T

GENERAL PURPOSE MOTORS

SPECIAL PURPOSE MOTORS

ACCESSORIES

APPENDIX





**Phases and HP:** 3-Phase, 3–60 HP

**Enclosure:** Totally enclosed fan cooled (TEFC)

**Frame:** 182T–364T

# Rotary Phase Converter Motor

## Cast Iron

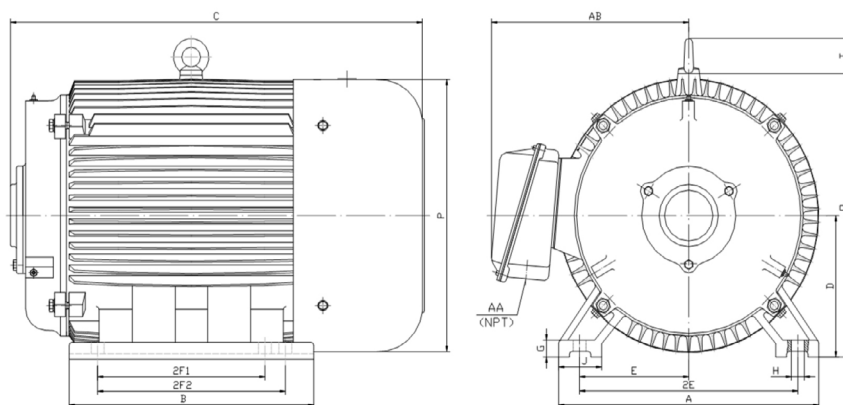


Diagram U

HP	RPM	Model Number	Frame	Motor Dimension								Flange		Shaft			Keyway			AA	Diagram
				C	D	E	2F1	2F2	J	O	P	AJ	N-W	U	R	S	ES				
3	1800	PC182T-3-4	182T	12.2	4.5	3.75	4.5	0	2	9.1	8.7	0	0	N/A	N/A	N/A	0	0.75	U		
5	1800	PC184T-5-4	184T	13.2	4.5	3.75	4.5	5.5	2	9.1	8.7	0	0	N/A	N/A	N/A	0	0.75	U		
7.5	1800	PC213T-7.5-4	213T	15.4	5.25	4.25	5.5	0	2.4	10.5	10.2	0	0	N/A	N/A	N/A	0	1	U		
10	1800	PC215T-10-4	215T	16.9	5.25	4.25	5.5	7	2.4	10.5	10.2	0	0	N/A	N/A	N/A	0	1	U		
15	1800	PC254T-15-4	254T	19	6.25	5	8.3	0	2.75	13	12.4	0	0	N/A	N/A	N/A	0	1.25	U		
20	1800	PC256T-20-4	256T	20.8	6.25	5	8.3	10	2.75	13	12.4	0	0	N/A	N/A	N/A	0	1.25	U		
25	1800	PC284T-25-4	284T	21.8	7	5.5	9.5	0	2.75	14.5	14	0	0	N/A	N/A	N/A	0	1.5	U		
30	1800	PC286T-30-4	286T	23.3	7	5.5	9.5	11	2.75	14.5	14	0	0	N/A	N/A	N/A	0	1.5	U		
40	1800	PC324T-40-4	324T	24.4	8	6.25	10.5	0	2.75	15.9	15.7	0	0	N/A	N/A	N/A	0	2	U		
50	1800	PC326T-50-4	326T	25.9	8	6.25	10.5	12	2.75	15.9	15.7	0	0	N/A	N/A	N/A	0	2	U		
60	1800	PC364T-60-4	364T	26.3	9	7	11.3	0	2.95	18.1	17.6	0	0	N/A	N/A	N/A	0	3	U		

GENERAL PURPOSE MOTORS

SPECIAL PURPOSE MOTORS

ACCESSORIES

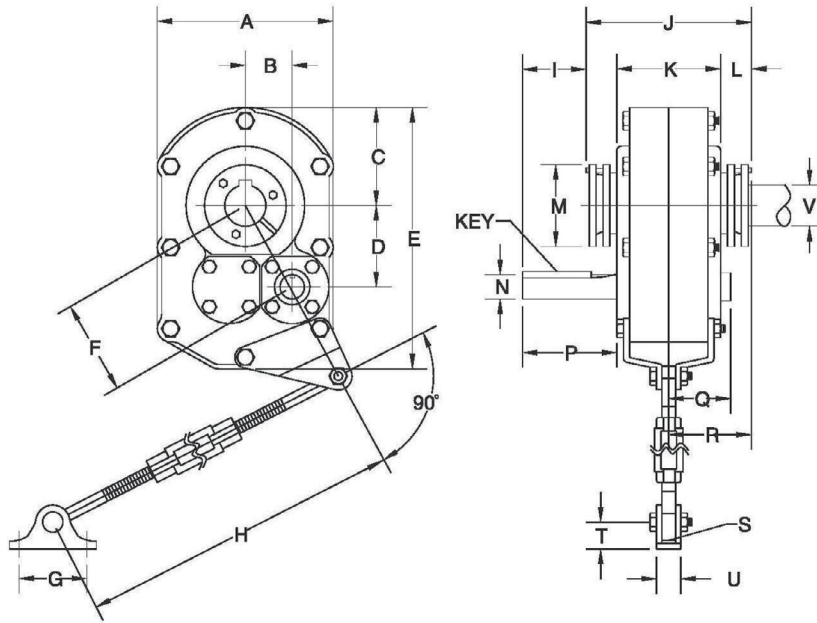
APPENDIX



**Box Size:** 2-10

**Ratio:** 15:1 or 25:1

# Gear Reducer SMR, Torque Arms



Box Size	A	B	C	D	E	F	G	H Min/ Max	I	J	K
2	8.38	2.14	4.09	3.75	11.41	4.32	3.00	26.94/ 32.94	2.22	7.32	4.50
3	9.25	2.33	4.84	4.17	12.88	4.78	3.00	26.94/ 32.94	2.34	9.22	5.63
4	10.38	2.76	5.50	4.79	15.13	5.53	4.00	29.19/ 35.14	3.44	9.98	6.13
5	13.13	3.04	6.56	5.67	18.31	6.43	4.00	29.19/ 35.19	3.44	10.52	6.31
6	15.43	4.09	7.56	6.73	21.31	7.88	4.75	29.19/ 35.19	3.73	11.53	6.88
7	18.75	5.11	9.38	8.30	25.94	9.74	4.75	29.44/ 35.44	3.75	12.85	7.75
8	20.25	6.03	10.13	9.50	28.25	11.25	7.00	30.00/ 36.00	4.31	14.03	8.37
9	22.63	6.59	11.31	10.81	31.69	12.66	7.00	30.00/ 36.00	6.52	14.12	8.27
10	25.50	6.59	12.75	12.50	35.00	14.13	7.00	30.00/ 36.00	6.53	15.30	9.55

Box Size	L	M	O	R	S	T	U	V Max Dia	Input Shaft			Approximate Weight (lbs)
									N Dia	P	Key	
2	1.40	4.06	2.89	3.68	0.44	1.06	1.25	1 15/16	1.13	3.59	1/4x1/4x2-1/2	58
3	1.59	4.38	3.30	3.72	0.44	1.06	1.25	2 3/16	1.25	4.34	1/4x1/4x2-7/8	98
4	1.72	4.81	3.41	3.91	0.50	1.75	1.44	2 7/16	1.44	5.57	3/8x3/8x4-1/16	139
5	1.91	5.63	4.45	5.05	0.50	1.75	1.44	2 15/16	1.94	5.74	1/2x1/2x4-112	207
6	2.30	6.13	4.57	5.73	0.63	2.00	2.75	3 7/16	2.19	6.08	1/2x1/2x4-1/2	285
7	2.50	7.25	4.69	6.38	0.63	2.00	2.75	3 15/16	2.44	6.35	5/8x5/8x4-3/4	462
8	2.86	7.75	5.85	7.04	0.75	3.13	4.00	4 7/16	2.44	7.11	5/8x5/8x5-3/8	633
9	2.81	8.75	6.01	7.02	0.75	3.13	4.00	4 15/16	2.44	9.65	5/8x5/16x7-3/4	760
10	2.78	10.13	6.27	7.66	0.75	3.13	4.00	5 7/16	2.69	9.50	5/8x5/16x7-7/8	1020

GENERAL PURPOSE MOTORS

SPECIAL PURPOSE MOTORS

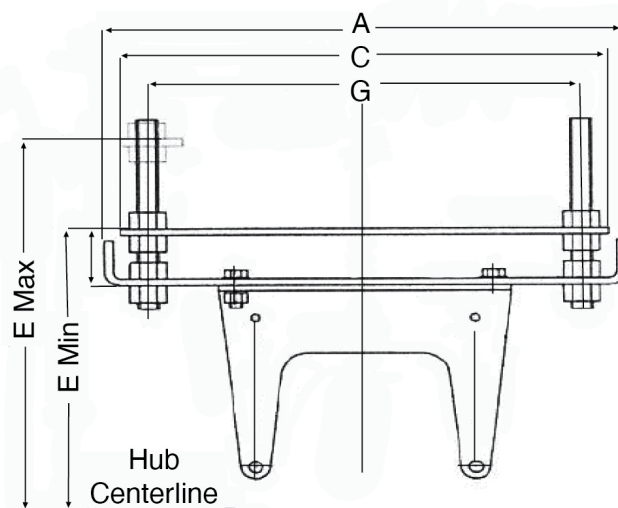
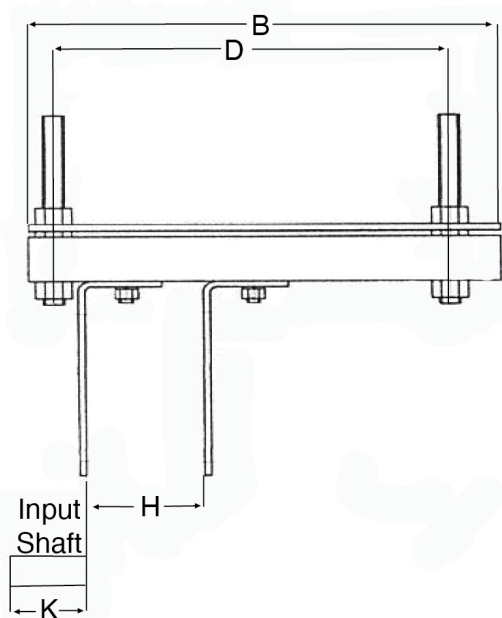
ACCESSORIES

APPENDIX



Box Size: 2-10  
 Ratio: 15:1 or 25:1

# Gear Reducer Motor Mount



Box Size	NEMA Frame	Model Frame	A	B	C	D	E		F	G	H	J	K	Approx. Weight
							Min.	Max.						
2	56T-215T	MM2	14.6457	11.02	13.54	9.25	10.35	14.76	1.65	12	3.35	M16 x 185	4.25	37
3	56T-215T	MM3	14.6457	11.02	13.54	9.25	11.5	15.83	1.65	12	4.29	M16 x 185	4.88	39
4	143T-286T	MM4	18.6614	17.01	17.48	14.25	11.81	16.65	2.05	15.5	4.61	M20 x 210	6.06	75
5	143T-286T	MM5	18.6614	17.01	17.48	14.25	12.76	17.56	2.05	15.5	4.41	M20 x 210	6.61	77
6	143T-326T	MM6	20.4724	18.5	19.29	16.5	14.49	19.21	2.13	17.5	4.53	M20 x 210	7.24	99
7	143T-365T	MM7	22.48	19.02	21.38	16.54				19.29	9.69	M24 x 236		141
8	213T-365T	MM8	18.7	18.98	17.91	8.46				11.02	5.66	M24 x 236		113
9	213T-365T	MM9	18.98	19.17	17.91	8.46				11.02	4.76	M24 x 236		136
10	254T-365T	MM10	18.98	19.17	17.91	8.46				11.02	7.17	M24 x 236		138

GENERAL PURPOSE MOTORS

SPECIAL PURPOSE MOTORS

ACCESSORIES

APPENDIX



HP: .5-200 HP

Ratio: 15:1 or 25:1

# Class 1 Chart — Gear Reducer

GENERAL PURPOSE MOTORS

SPECIAL PURPOSE MOTORS

ACCESSORIES

APPENDIX

HP	Output RPM	Reducer Selection	Minimum Sheave Dia.
0.5	2-6	NBS-115-2-25	3
	4-5	NBS-203-3-25	4
0.75	6-10	NBS-115-2-25	3
	4-5	NBS-207-4-25	4.6
1	6-7	NBS-203-3-25	4
	8-15	NBS-115-2-25	3
	4	NBS-215-5-25	5.4
1.5	5-7	NBS-207-4-25	4.6
	8-12	NBS-203-3-25	4
	13-23	NBS-115-2-25	3
2	4-6	NBS-215-5-25	5.4
	7-10	NBS-207-4-25	4.6
	11-17	NBS-203-3-25	4
	18-32	NBS-115-2-25 NBS-115-2-15	3
3	4-5	NBS-307-6-25	6.2
	6-10	NBS-215-5-25	5.4
	11-15	NBS-207-4-25	4.6
	16-26	NBS-203-3-25	4
	27-51	NBS-115-2-25 NBS-115-2-15	3
5	5-6	NBS-315-7-25	6.2
	7-9	NBS-307-6-25	6.2
	10-17	NBS-215-5-25	5.4
	18-26	NBS-207-4-25 NBS-207-4-15	4.6
	27-46	NBS-203-3-25 NBS-203-3-15	4
	47-70	NBS-115-2-25 NBS-115-2-15	3
	71-85	NBS-115-2-25 NBS-115-2-15	3
	86-92	NBS-115-2-15	3
7.5	4-6	NBS-407-8-25	6.2
	7-9	NBS-315-7-25	6.2
	10-15	NBS-307-6-25	6.2
	16-26	NBS-215-5-25	5.4
	27-40	NBS-207-4-25 NBS-207-4-15	4.6
	41-70	NBS-203-3-25 NBS-203-3-15	4
	71-74	NBS-203-3-25 NBS-203-3-15	4
	75-85	NBS-115-2-25 NBS-115-2-15	3
	86-95	NBS-115-2-15	3
	96-140	NBS-115-2-15	3
10	5	NBS-415-9-25	8
	6-8	NBS-407-8-25	6.2
	9-12	NBS-315-7-25	6.2
	13-20	NBS-307-6-25	6.2
	21-36	NBS-215-5-25 NBS-207-4-15	5.4
	37-56	NBS-207-4-25 NBS-203-3-15	4.6
	57-70	NBS-203-3-25 NBS-203-3-15	4
	71-85	NBS-203-3-25 NBS-203-3-15	4
	86-103	NBS-203-3-15	4
	104-115	NBS-115-2-15	3
	141-158	NBS-115-2-15	3
	9-13	NBS-407-8-25	6.2
15	5-6	NBS-507-10-25	8.5
	7-8	NBS-415-9-25	8
	14-19	NBS-315-7-25	6.2
	20-32	NBS-307-6-25 NBS-307-7-15	6.2
	33-56	NBS-215-5-25 NBS-215-6-15	5.4
	57-70	NBS-207-4-25 NBS-207-4-15	4.6
	71-85	NBS-207-4-25	4.6
	86-93	NBS-207-4-15	4.6
	94-115	NBS-203-3-15	4
	116-140	NBS-203-3-15	4

HP	Output RPM	Reducer Selection	Minimum Sheave Dia.	
20	7-8	NBS-507-10-25	8.5	
	9-12	NBS-415-9-25	8	
	13-18	NBS-407-8-25	6.2	
	19-26	NBS-315-7-25 NBS-315-7-15	6.2	
	27-45	NBS-307-6-25 NBS-307-6-15	6.2	
	46-70	NBS-215-5-25 NBS-215-5-15	5.4	
	71-78	NBS-215-5-25 NBS-215-5-15	5.4	
	79-85	NBS-207-4-25 NBS-207-4-15	4.6	
	86-115	NBS-207-4-15	4.6	
	116-140	NBS-207-4-15*	4.6	
25	8-10	NBS-507-10-25	8.5	
	11-15	NBS-415-9-25	8	
	16-23	NBS-407-8-25	6.2	
	24-33	NBS-315-7-25 NBS-315-7-15	6.2	
	34-59	NBS-307-6-25 NBS-307-6-15	6.2	
	60-70	NBS-215-5-25* NBS-215-5-15	5.4	
	71-80	NBS-215-5-25* NBS-215-5-15	5.4	
	81-101	NBS-215-5-15*	5.4	
	102-132	NBS-207-4-15*	4.6	
	133-140	NBS-207-4-15*	4.6	
30	10-13	NBS-507-10-25	8.5	
	14-19	NBS-415-9-25	8	
	20-28	NBS-407-8-25 NBS-407-8-15	6.2	
	29-41	NBS-315-7-25 NBS-315-7-15	6.2	
	42-70	NBS-307-7-25 NBS-307-6-15	6.2	
	71-75	NBS-307-7-25 NBS-307-6-15	6.2	
	76-115	NBS-215-5-15*	5.4	
	116-125	NBS-215-5-15*	5.4	
	40	13-18	NBS-507-10-25	8.5
		19-25	NBS-415-9-25 NBS-415-9-15	8
26-38		NBS-407-8-25 NBS-407-8-15	6.2	
39-57		NBS-315-7-25 NBS-315-7-15	6.2	
58-70		NBS-307-6-25 NBS-307-6-15	6.2	
71-81		NBS-307-6-25* NBS-307-6-15*	6.2	
82-114		NBS-307-6-15*	6.2	
115-125		NBS-215-5-15*	5.4	
50		16-22	NBS-507-10-25	8.5
		23-32	NBS-415-9-25 NBS-415-9-15	8
	33-49	NBS-407-8-25 NBS-407-8-15	6.2	
	50-70	NBS-315-7-25 NBS-315-7-15	6.2	
	71-74	NBS-315-7-25 NBS-315-7-15	6.2	
	75-125	NBS-307-6-15*	6.2	
	60	19-27	NBS-507-10-25 NBS-507-10-15	8.5
		28-39	NBS-415-9-25 NBS-415-9-15	8
		40-60	NBS-407-8-25 NBS-407-8-15	6.2
		61-70	NBS-315-7-25* NBS-315-7-15*	6.2
71-120		NBS-315-7-15*	6.2	
75		24-34	NBS-507-10-25 NBS-507-10-15	8.5
	35-50	NBS-415-9-25 NBS-415-9-15	8	
	51-70	NBS-407-8-25 NBS-407-8-15	6.2	
	71-78	NBS-407-8-15*	6.2	
	79-120	NBS-315-7-15*	6.2	
	100	32-46	NBS-507-10-25 NBS-507-10-15	8.5
47-69		NBS-415-9-25* NBS-415-9-15*	8	
70-120		NBS-407-8-15*	6.2	
125		41-59	NBS-507-10-25 NBS-507-10-15	8.5
	60-70	NBS-415-9-15* NBS-415-9-25*	8	
	71-90	NBS-415-9-15*	8	
	91-123	NBS-407-8-15*	6.2	
150	50-70	NBS-507-10-25 NBS-507-10-15	8.5	
	71-75	NBS-507-10-15* NBS-507-10-25*	8.5	
	76-80	NBS-507-10-15*	8.5	
	81-120	NBS-415-9-15*	8	
200	69-120	NBS-507-10-15*	8.5	

\*Additional cooling provisions may be required, consult the factory with application details



HP: .5–150 HP  
 Ratio: 15:1 or 25:1

# Class 2 Chart – Gear Reducer

HP	Output RPM	Reducer Selection	Minimum Sheave Dia.
0.5	4-5	NBS-203-3-25	4
	6-9	NBS-115-2-25	3
0.75	4-5	NBS-207-4-25	4.6
	6-8	NBS-203-3-25	4
	9-16	NBS-115-2-25	3
1	5-7	NBS-207-4-25	4.6
	8-11	NBS-203-3-25	4
	12-22	NBS-115-2-25	3
1.5	5-6	NBS-215-5-25	5.4
	7-11	NBS-207-4-25	4.6
	12-18	NBS-203-3-25	4
	19-34	NBS-115-2-25 NBS-115-2-15	3
2	4-5	NBS-307-6-25	6.2
	6-9	NBS-215-5-25	5.4
	10-14	NBS-207-4-25	4.6
	15-24	NBS-203-3-25 NBS-203-3-15	4
3	25-47	NBS-115-2-25 NBS-115-2-15	3
	4-5	NBS-315-7-25	6.2
	6-8	NBS-307-6-253	6.2
	9-14	NBS-215-5-25	5.4
	15-22	NBS-207-4-25 NBS-207-4-15	4.6
5	23-38	NBS-203-3-25 NBS-203-3-15	4
	39-70	NBS-115-2-25 NBS-115-2-15	3
	71-75	NBS-115-2-25 NBS-115-2-15	3
	4-6	NBS-407-8-25	6.2
	7-8	NBS-315-7-25	6.2
	9-14	NBS-307-6-25	6.2
	15-24	NBS-215-5-25	5.4
	25-37	NBS-207-4-25 NBS-207-4-15	4.6
7.5	38-69	NBS-203-3-25 NBS-203-3-15	4
	70-85	NBS-115-2-25 NBS-115-2-15	3
	86-89	NBS-115-2-25	3
	90-136	NBS-115-2-25	3
	5	NBS-415-9-25	8
	6-9	NBS-407-8-25	6.2
	10-13	NBS-315-7-25	6.2
	14-21	NBS-307-6-25	6.2
10	22-38	NBS-215-5-25 NBS-215-5-15	5.4
	39-59	NBS-207-4-25 NBS-207-4-15	4.6
	60-70	NBS-203-3-25 NBS-203-3-15	4
	71-85	NBS-203-3-25 NBS-203-3-15	4
	86-110	NBS-203-3-15	4
	111-122	NBS-115-2-15	3
	123-140	NBS-115-2-15	3
	5	NBS-507-10-25	8.5
15	6-7	NBS-415-9-25	8
	8-12	NBS-407-8-25	6.2
	13-18	NBS-315-7-25	6.2
	19-29	NBS-307-6-25 NBS-307-6-15	6.2
	30-52	NBS-215-5-25 NBS-215-5-15	5.4
	53-70	NBS-207-4-25 NBS-207-4-15	4.6
	71-84	NBS-207-4-25 NBS-207-4-15	4.6
	85-130	NBS-203-3-15	4
	131-140	NBS-203-3-15	4
	7-9	NBS-507-10-25	8.5
20	10-12	NBS-415-9-15	8
	13-19	NBS-407-8-25	6.2
	20-27	NBS-315-7-25	6.2
	28-47	NBS-307-6-25 NBS-307-6-15	6.2
	48-70	NBS-215-5-25 NBS-215-5-15	5.4
	71-82	NBS-215-5-25 NBS-215-5-15	5.4
	83-117	NBS-207-4-15	4.6
	118-140	NBS-207-4-15	4.6

HP	Output RPM	Reducer Selection	Minimum Sheave Dia.
25	9-12	NBS-507-10-25	8.5
	13-17	NBS-415-9-25	8
	18-26	NBS-407-8-25	6.2
	27-38	NBS-315-7-25 NBS-315-7-15	6.2
	39-68	NBS-307-6-25 NBS-307-6-15	6.2
	69-80	NBS-215-5-25 NBS-215-5-15	5.4
	81-89	NBS-215-5-15	5.4
	91-117	NBS-215-5-15*	5.4
	118-125	NBS-207-4-15*	4.6
	30	11-15	NBS-507-10-25
16-22		NBS-415-9-25	8
23-33		NBS-407-8-25 NBS-407-8-15	6.2
34-49		NBS-315-7-25 NBS-315-7-15	6.2
50-80		NBS-307-6-25 NBS-307-6-15	6.2
81-94		NBS-307-6-15	6.2
95-125		NBS-215-5-15*	5.4
40	13-19	NBS-507-10-25	8.5
	20-27	NBS-415-9-25 NBS-415-9-15	8
	28-41	NBS-407-8-25 NBS-407-8-15	6.2
	42-60	NBS-315-7-25 NBS-315-7-15	6.2
	61-76	NBS-307-6-25 NBS-307-6-15	6.2
	77-89	NBS-307-6-15	6.2
	90-125	NBS-307-6-15*	6.2
	18-25	NBS-507-10-25	8.5
50	26-36	NBS-415-9-25 NBS-415-9-15	8
	37-56	NBS-407-8-25 NBS-407-8-15	6.2
	57-75	NBS-315-7-25 NBS-315-7-15	6.2
	76-88	NBS-315-7-15	6.2
	89-114	NBS-307-6-15*	6.2
	115-120	NBS-307-6-15*	6.2
	22-32	NBS-507-10-25 NBS-507-10-15	8.5
60	33-46	NBS-415-9-25 NBS-415-9-15	8
	47-70	NBS-407-8-25 NBS-407-8-15	6.2
	71-72	NBS-407-8-25 NBS-407-8-15	6.2
	73-95	NBS-315-7-15*	6.2
	96-110	NBS-315-7-15*	6.2
	111-120	NBS-315-7-15*	6.2
	27-39	NBS-507-10-25 NBS-507-10-15	8.5
	40-56	NBS-415-9-25 NBS-415-9-15	8
75	57-70	NBS-407-8-25 NBS-407-8-15	6.2
	71-75	NBS-407-8-25 NBS-407-8-15	6.2
	76-89	NBS-407-8-15	6.2
	90-120	NBS-315-7-15*	6.2
	34-49	NBS-507-10-25 NBS-507-10-15	8.5
	50-73	NBS-415-9-25 NBS-415-9-15	8
	74-75	NBS-407-8-25 NBS-407-8-15	6.2
100	76-120	NBS-407-8-15*	6.2
	46-67	NBS-507-10-25 NBS-507-10-15	8.5
	68-75	NBS-415-9-15* NBS-415-9-25*	8
	76-103	NBS-415-9-15*	8
	59-75	NBS-507-10-25 NBS-507-10-15	8.5
	76-85	NBS-507-10-15	8.5
	86-120	NBS-415-9-15*	8
150	73-75	NBS-507-10-15* NBS-507-10-25*	8.5
	76-120	NBS-507-10-15*	8.5
	71-85	NBS-207-4-25	4.6
	86-93	NBS-207-4-15	4.6
	94-115	NBS-203-3-15	4
	116-140	NBS-203-3-15	4

\*Additional cooling provisions may be required, consult the factory with application details

GENERAL PURPOSE MOTORS

SPECIAL PURPOSE MOTORS

ACCESSORIES

APPENDIX



HP: .5-200 HP

Ratio: 15:1 or 25:1

# Class 3 Chart — Gear Reducer

GENERAL PURPOSE MOTORS

SPECIAL PURPOSE MOTORS

ACCESSORIES

APPENDIX

HP	Output RPM	Reducer Selection	Minimum Sheave Dia.
0.25	4-6	NBS-115-2-25	3
0.33	5-9	NBS-115-2-25	3
0.5	4-5	NBS-207-4-25	4.6
	6-7	NBS-203-3-25	4
	8-15	NBS-115-2-25	3
0.75	4-00	NBS-215-5-25	5.4
	5-7	NBS-207-4-25	4.6
	8-12	NBS-203-3-25	4
	13-23	NBS-115-2-25	3
1	4-6	NBS-215-5-25	5.4
	7-10	NBS-207-4-25	4.6
	11-17	NBS-203-3-25	4
1.5	18-32	NBS-115-2-25	3
	4-5	NBS-307-6-25	6.2
	6-10	NBS-215-5-25	5.4
	11-15	NBS-207-4-25	4.6
	16-26	NBS-203-3-25	4
2	27-51	NBS-115-2-25 NBS-115-2-15	3
	5-7	NBS-307-6-25	6.2
	8-13	NBS-215-5-25	5.4
	14-21	NBS-207-4-25	4.6
	22-36	NBS-203-3-25 NBS-203-3-15	4
3	37-71	NBS-115-2-25 NBS-115-2-15	3
	4-5	NBS-407-8-25	6.2
	6-7	NBS-315-7-25	6.2
	8-12	NBS-307-6-25	6.2
	13-20	NBS-215-5-25	5.4
	21-32	NBS-207-4-25 NBS-207-4-15	4.6
	33-57	NBS-203-3-25 NBS-203-3-15	4
	58-70	NBS-115-2-25 NBS-115-2-15	3
	71-85	NBS-115-2-25 NBS-115-2-15	3
	86-89	NBS-115-2-15	3
90-113	NBS-115-2-15	3	
5	5-00	NBS-415-9-25	8
	6-8	NBS-407-8-25	6.2
	9-12	NBS-315-7-25	6.2
	13-20	NBS-307-6-25	6.2
	21-36	NBS-215-5-25 NBS-215-5-15	5.4
	37-56	NBS-207-4-25 NBS-207-4-15	4.6
	57-70	NBS-203-3-25 NBS-203-3-15	4
	71-85	NBS-203-3-25 NBS-203-3-15	4
	86-103	NBS-203-3-15	4
	104-114	NBS-115-2-15	3
115-140	NBS-115-2-15	3	
7.5	5-6	NBS-507-10-25	8.5
	7-8	NBS-415-9-25	8
	9-13	NBS-407-8-25	6.2
	14-19	NBS-315-7-25	6.2
	20-32	NBS-307-6-25 NBS-307-6-15	6.2
	33-56	NBS-215-5-25 NBS-215-5-15	5.4
	57-70	NBS-207-4-25 NBS-207-4-15	4.6
	71-85	NBS-207-4-25 NBS-207-4-15	4.6
	86-93	NBS-207-4-15	4.6
	94-140	NBS-203-3-15	4
	57-70	NBS-207-4-25 NBS-207-4-15	4.6
	71-85	NBS-207-4-25	4.6
	86-93	NBS-207-4-15	4.6
	94-115	NBS-203-3-15	4

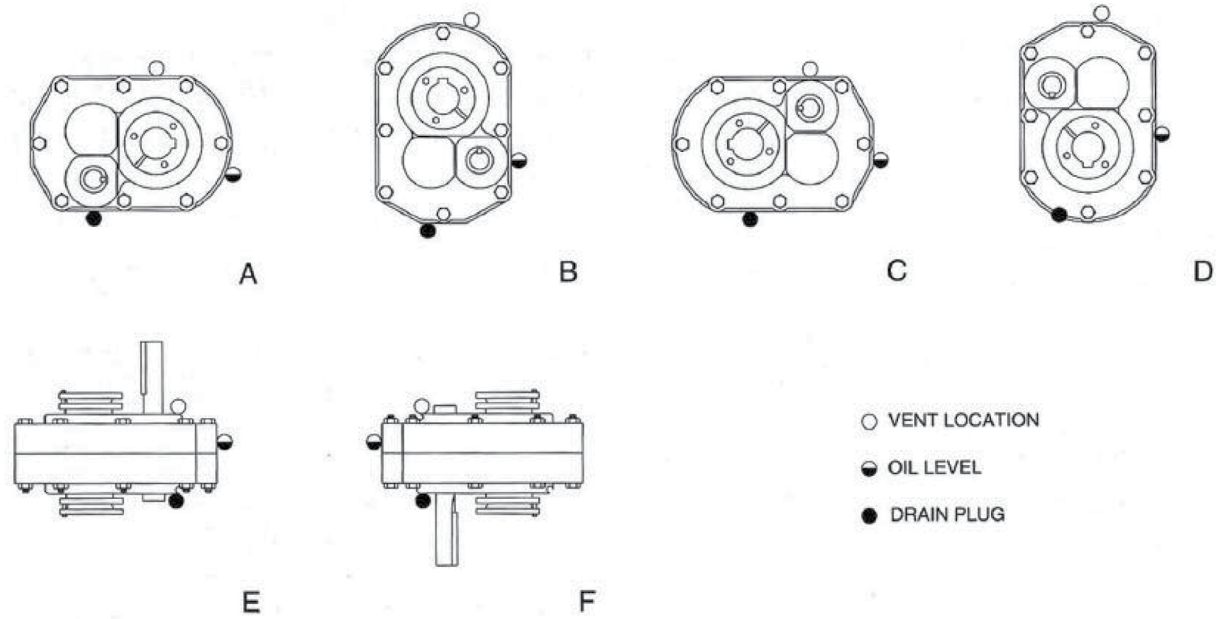
HP	Output RPM	Reducer Selection	Minimum Sheave Dia.			
10	7-8	NBS-507-10-25	8.5			
	9-12	NBS-415-9-25	8			
	13-18	NBS-407-8-25	6.2			
	19-26	NBS-315-7-25 NBS-315-7-15	6.2			
	27-45	NBS-307-6-25 NBS-307-6-15	6.2			
	46-70	NBS-215-5-25 NBS-215-5-15	5.4			
	71-78	NBS-215-5-25 NBS-215-5-15	5.4			
	79-92	NBS-207-4-15	4.6			
	93-105	NBS-207-4-15	4.6			
	106-141	NBS-207-4-15	4.6			
15	10-13	NBS-507-10-25	8.5			
	14-19	NBS-415-9-25	8			
	20-28	NBS-407-8-25 NBS-407-8-15	6.2			
	29-41	NBS-315-7-25 NBS-315-7-15	6.2			
	42-70	NBS-307-6-25 NBS-307-6-15	6.2			
	71-75	NBS-307-6-25 NBS-307-6-15	6.2			
	76-93	NBS-215-5-15	5.4			
	97-115	NBS-215-5-15	5.4			
	116-125	NBS-215-5-15	5.4			
	20	13-18	NBS-507-10-25	8.5		
19-25		NBS-415-9-25 NBS-415-9-15	8			
26-38		NBS-407-8-25 NBS-407-8-15	6.2			
39-57		NBS-315-7-25 NBS-315-7-15	6.2			
58-70		NBS-307-6-25 NBS-307-6-15	6.2			
71-114		NBS-307-6-15	6.2			
115-125		NBS-215-5-15	5.4			
25		16-22	NBS-507-10-25	8.5		
		23-32	NBS-415-9-25 NBS-415-9-15	8		
		33-49	NBS-407-8-25 NBS-407-8-15	6.2		
	50-70	NBS-315-7-25 NBS-315-7-15	6.2			
	71-74	NBS-315-7-25 NBS-315-7-15	6.2			
	75-104	NBS-307-6-15	6.2			
	105-113	NBS-307-6-15	6.2			
	114-125	NBS-307-6-15 NBS-407-8-15	6.2			
	30	19-27	NBS-507-10-25 NBS-507-10-15	8.5		
		28-39	NBS-415-9-25 NBS-415-9-15	8		
40-60		NBS-407-8-25 NBS-315-7-15	6.2			
61-70		NBS-315-7-25 NBS-315-7-15	6.2			
71-98		NBS-315-7-15	6.2			
99-125		NBS-307-6-15	6.2			
40		26-37	NBS-507-10-25 NBS-507-10-15	8.5		
		38-53	NBS-415-9-25 NBS-415-9-15	8		
		54-70	NBS-407-8-25 NBS-407-8-15	6.2		
		71-84	NBS-407-8-15	6.2		
	85-89	NBS-315-7-15	6.2			
	90-120	NBS-315-7-15	6.2			
	50	32-46	NBS-507-10-25 NBS-507-10-15	8.5		
		47-69	NBS-415-9-25 NBS-415-9-15	8		
		70-75	NBS-407-8-25 NBS-407-8-15	6.2		
		76-110	NBS-407-8-15	6.2		
111-120		NBS-315-7-15	6.2			
60		39-56	NBS-507-10-25 NBS-507-10-15	8.5		
		57-75	NBS-415-9-25 NBS-415-9-15	8		
		76-85	NBS-415-9-15	8		
		86-115	NBS-407-8-15	6.2		
		75	50-72	NBS-507-10-25 NBS-507-10-15	8.5	
	73-75		NBS-415-9-15* NBS-415-9-25*	8		
	76-120		NBS-415-9-15*	8		
	100		69-120	NBS-507-10-15	8.5	
			125	91-120	NBS-507-10-15*	8.5
				71-75	NBS-507-10-15* NBS-507-10-25*	8.5
76-80				NBS-507-10-15*	8.5	
81-120				NBS-415-9-15*	8	
200				69-120	NBS-507-10-15*	8.5

\*Additional cooling provisions may be required, consult the factory with application details



Box Size: 2–10  
 Ratio: 15:1 or 25:1

# Gear Reducer Oil Level



Box Size Position	Approximate Capacity (Quarts & Liters)					
	A	B	C	D	E	F
2	0.875 Quarts	1 Quarts	0.625 Quarts	1 Quarts	1.625 Quarts	1.75 Quarts
	0.83 Liters	0.95 Liters	0.59 Liters	0.95 Liters	1.54 Liters	1.66 Liters
3	1.5 Quarts	1.5 Quarts	0.75 Quarts	2.25 Quarts	2.625 Quarts	3 Quarts
	1.42 Liters	1.42 Liters	0.71 Liters	2.13 Liters	2.48 Liters	2.84 Liters
4	1.875 Quarts	2.25 Quarts	1.25 Quarts	1.75 Quarts	3.375 Quarts	4.25 Quarts
	1.77 Liters	2.13 Liters	1.18 Liters	1.66 Liters	3.19 Liters	4.02 Liters
5	3.25 Quarts	4 Quarts	3.25 Quarts	4 Quarts	7 Quarts	8.625 Quarts
	3.08 Liters	3.79 Liters	3.08 Liters	3.79 Liters	6.62 Liters	8.04 Liters
6	4.25 Quarts	5 Quarts	4.25 Quarts	5 Quarts	8.625 Quarts	9.125 Quarts
	4 Liters	4.7 Liters	4 Liters	4.7 Liters	8.2 Liters	8.6 Liters
7	6.5 Quarts	8 Quarts	7.25 Quarts	9.25 Quarts	15.375 Quarts	16.375 Quarts
	6.1 Liters	7.57 Liters	6.86 Liters	8.75 Liters	14.55 Liters	15.5 Liters
8	8.5 Quarts	11 Quarts	10.5 Quarts	8.5 Quarts	19.125 Quarts	19.125 Quarts
	8 Liters	10.4 Liters	9.94 Liters	8 Liters	18.10 Liters	18.1 Liters
9	13 Quarts	13 Quarts	12.5 Quarts	14.25 Quarts	25.375 Quarts	25.375 Quarts
	12.3 Liters	12.3 Liters	11.83 Liters	13.48 Liters	24 Liters	24 Liters
10	23 Quarts	14 Quarts	15.75 Quarts	18.75 Quarts	41 Quarts	41 Quarts
	21.75 Liters	13.25 Liters	14.90 Liters	17.75 Liters	38.8 Liters	38.8 Liters

**CAUTION:**  
 North American Electric's Shaft Mount Reducers are shipped without oil. The reducer must be filled with the proper amount of oil according to the mounting position table shown above. Failure to fill the case with oil could result in the failure of the reducer and damage to the associated equipment.



Frame: 143T-449T

# Explosion Proof Hazardous Location Definitions

## HAZARDOUS LOCATION

An area where the possibility of explosion and fire is created by the presence of flammable gases, vapors, fibers, or flyings.

### CLASS I

Those areas in which flammable gases or vapors may be present in the air in sufficient quantities to be explosive or ignitable.

### CLASS II

Those areas made hazardous by the presence of combustible dust.

### CLASS III

Those areas in which there are easily ignitable fibers or flyings present, due to type of material being handled, stored or processed.

### DIVISION 1

Division 1 in the normal situation; the hazard would be expected to be present in everyday production operations or during frequent repair and maintenance activity.

### DIVISION 2

Division 2 in the abnormal situation; material is expected to be confined within closed containers or closed systems and will be present only through accidental rupture, breakage or unusual faulty operation.

GROUPS	The gases and vapors of Class locations are broken into four groups by the codes A, B, C and D. These materials are grouped according to the ignition temperature of the substance, its explosion pressure and other flammable characteristics		Group A	Acetylene
			Group B	Hydrogen
		Group C	Ethyl-Ether, Ethylene, Cycle Propane Propane	
		Group D	Gasoline, Hexane, Naptha, Benzene, Butane, Propane, Alcohol, Lacquer Solvent Vapors, Natural Gas	
CLASS II - dust locations - groups E, F & G. These groups are classified according to the ignition temperature and the conductivity of the hazardous substance.			Group E	Metal Dust
			Group F	Carbon Black, Coal, Coke Dust
			Group G	Flour, Starch, Grain Dust
OPERATING TEMPERATURE CODES	Maximum Temperatures		Temperature Code	Notes
	Degrees C	Degree F		
	450	842	T1	1) T3C is offered by NAE
	300	572	T2	
	280	536	T2A	2) T1 through T2D not applicable to Class II locations
	260	500	T2B	
	230	446	T2C	3) T2A through T2D, Class I Group D only
	215	419	T2D	
	200	392	T3	
	180	356	T3A	
	165	329	T3B	
	160	320	T3C	
	135	275	T4	
	120	248	T4C	
	100	212	T5	
85	185	T6		

- NOTES
- 1) NAE offers Class I and Class II only. NAE does not offer Group A or B.
  - 2) Refer to Base List Price Section for available ratings.
  - 3) Orders for Explosion-Proof Motors must specify division, class, group and temperature code.

\* These are simplified definitions – refer to National Electrical Code (NEC), Article 500 for complete definitions





# Motor Warranty Policy & Procedures

## No-Fault Warranty Policy

Motors with frame sizes 215T and smaller are covered under our “No-Fault Warranty”. The warranty period is 24 months from the date of invoice. This special limited warranty is offered one time per end-user, per application. If there is more than one failure, please follow our standard limited warranty policy and procedure and contact our warranty department for assistance. For information regarding this warranty policy you may contact our customer service department at (800) 884-0404 or visit our website at [www.naemotors.com](http://www.naemotors.com).

North American Electric’s liability under this warranty or any other warranty, expressed or implied, in law or fact, shall be limited to the replacement of the motor, and in no event shall North American Electric, LLC be liable for consequential or indirect damages, including freight.

When filing a claim under our “No Fault Warranty”, you must provide the following documentation to ensure your claim is processed in a timely manner.

- Original nameplate from the failed motor
- Copy of the original North American Electric, LLC invoice or the invoice number for the failed motor
- A brief description of the failure for quality control purposes

Note: Please make a legible photo copy of the nameplate from the failed motor for your records.

## Standard Limited Warranty Policy

General Purpose Cast Iron Motors (TEFC & ODP).....	36 months from date of invoice
General Purpose, Aluminum Motors.....	36 months from date of invoice
Rolled Steel Motors, Single Phase.....	24 months from date of invoice
Rolled Steel Motors, Three-Phase.....	36 months from date of invoice
Crusher Duty Motors.....	36 months from date of invoice
Stainless Steel Motors.....	24 months from date of invoice
Close Coupled Pump Motors.....	36 months from date of invoice
Explosion Proof Motors.....	24 months from date of invoice
Oil Well Pump Motors.....	36 months from date of invoice
Vertical Hollow Shaft Motors.....	24 months from date of invoice
Rotary Phase Converters.....	24 months from date of invoice
Shaft Mount Reducers.....	24 months from date of invoice
Motor Slide Bases.....	36 months from date of invoice

North American Electric, LLC shall, at its option and expense, either repair or replace any such motor or part, which is defective within the warranty period. To be covered under warranty, any motor must have at all times been operated or used under normal operating conditions for which the motor was designed.

In the event of warranty claims, North American Electric, LLC must be notified promptly following any motor failure. The motor should be sent to a North American Electric, LLC authorized service center to diagnose cause of failure. After this examination, a determination will be made if the failure was due to defective material and/or workmanship. If the failure was due to defective material and/or workmanship, North American Electric, LLC will replace or repair the motor. DO NOT repair any motor without a prior written purchase order from North American Electric, LLC

North American Electric’s liability under this warranty or any other warranty, expressed or implied, in law or fact, shall be limited to the replacement of the motor, and in no event shall North American Electric, LLC be liable for consequential or indirect damages, including freight.

When filing a claim under our standard Limited Warranty Policy, please be prepared to provide the following:

1. Serial Number
2. Model Number
3. EASA Report
4. Photographs showing the cause of failure
5. Estimated cost of repair
6. Nameplate (photo of nameplate for stainless steel/washdown duty motors) if motor is to be replaced.

For more information about warranty policies and procedures please contact our customer service department at (800) 884-0404, visit our website at [www.naemotors.com](http://www.naemotors.com) or send us an email at [sales@naemotors.com](mailto:sales@naemotors.com).

<b>1</b>		
1140-NEWT	66	
1180-NEWT	66	
1210-NEPE	66	
1210-NEWT	66	
1250-NEWT	66	
1280-NEPE	66	
1280-NEWT	66	
1320-NEPE	66	
1320-NEWT	66	
1360-NEPE	66	
1360-NEWT	66	
1400-NEPE	66	
1400-NEWT	66	
1440-NEPE	66	
1440-NEWT	66	
<b>3</b>		
3140-APE	64	
3140-NEWT	63	
3140-ODP-W	64-65	
3140XP-1	66	
3180-APE	64	
3180-NEWT	63	
3180-ODP-W	64-65	
3180XP-1	66	
3210-APE	64	
3210-NEPE	63	
3210-NEWT	63	
3210-ODP-W	64-65	
3210XP-1	66	
3250-NEPE	63	
3250-NEWT	63	
3250-ODP-W	64	
3250-SODP	65	
3250XP-1	66	
3280-NEWT	63	
3280-ODP-W	64	
3280XP-1	66	
3320-NEWT	63	
3320-ODP-W	64	
3320XP-1	66	
3360-NEPE	63	
3360-NEWT	63	
3360-ODP-W	64	
3360XP-1	66	
3400-2P-ODP-W	64	
3400-NEPE	63	
3400-NEPE-2P	63	
3400-NEWT	63	
3400-NEWT-2P	63	
3400-ODP-W	64	
3400SXP-1	66	
3400XP-1	66	
3440-2P-ODP-W	64	
3440-NEPE	63	
3440-NEPE-2P	63	
3440-NEWT	63	
3440-NEWT-2P	63	
3440-ODP-W	64	
3440SXP-1	66	
3440XP-1	66	
3500-NEPE	63	
3587-NC58	63	
<b>4</b>		
4140-NEWT	63	
4180-NEWT	63	
4210-NEWT	63	
4250-NEPE	63	
4250-NEWT	63	
4280-NEWT	63	
4320-NEWT	63	
4360-NEPE	63	
4360-NEWT	63	
4400-NEPE	63	
4400-NEPE-2P	63	
4400-NEWT	63	
4400-NEWT-2P	63	
4440-NEPE	63	
4440-NEPE-2P	63	
4440-NEWT	63	
4440-NEWT-2P	63	
4500-NEPE	63	
4587-NC58	63	
<b>A</b>		
AB-320TP-12	60	
AB-320TP-16.5	60	
AB-360TP-12	60	
AB-360TP-16.5	60	
ABPE-320TP-12	60	
ABPE-320TP-16.5	60	
ABPE-360TP-12	60	
ABPE-360TP-16.5	60	
ABPE2-250/280TP-16.5	60	
ABPE2-320TP-12	60	
ABPE2-320TP-16.5	60	
ABPE2-360TP-12	60	
ABPE2-360TP-16.5	60	
ABPE2-400TP-16.5	60	
ABPE2-400TP-20	60	
APE143T-1-4	10, 69, 101	
APE143T-1.5-2	10, 69, 101	
APE145T-1.5-4	10, 69, 101	
APE145T-2-2	10, 69, 101	
APE145T-2-4	10, 69, 101	
APE182T-3-2	10, 69, 101	
APE182T-3-4	10, 69, 101	
APE184T-5-2	10, 69, 101	
APE184T-5-4	10, 69, 101	
APE213T-7.5-2	10, 69, 101	
APE213T-7.5-4	10, 69, 101	
APE215T-10-2	10, 69, 101	
APE215T-10-4	10, 69, 101	
<b>D</b>		
D182T3S4C	22, 78, 115	
D184T5S4C	22, 78, 115	
D56H5S2C-MO	22, 78, 115	
D56HZ5S2C-MO	22, 78, 115	
<b>F</b>		
F143T1S4C-MO	9, 68, 100	
F145T1.5S4C-MO	9, 68, 100	
F145T2S4C-MO	9, 68, 100	
F182T3S4C-MO	9, 68, 100	
F184T5S2C-MO	9, 68, 100	
F184T5S4C-MO	9, 68, 100	
F213T7.5S4C	9, 68, 100	
F215T10S4C	9, 68, 100	
F56C1.5S2C	6, 67, 97	
F56C1/2M2A	7, 67, 98	
F56C1/2M2A-575V	7, 67, 98	
F56C1/2M4A	7, 67, 98	
F56C1/2M4A-575V	7, 67, 98	
F56C1/2S2C	6, 67, 97	
F56C1/2S4C	6, 67, 97	
F56C1/2S4C-MO	9, 68, 100	
F56C1/3M2A	7, 67, 98	
F56C1/3M2A-575V	7, 67, 98	
F56C1/3M4A	7, 67, 98	
F56C1/3M4A-575V	7, 67, 98	
F56C1/3S2C	6, 67, 97	
F56C1/3S4C	6, 67, 97	
F56C1/3S4C-MO	9, 68, 100	
F56C1S2C	6, 67, 97	
F56C1S4C	6, 67, 97	
F56C1S4C-MO	9, 68, 100	
F56C3/4M2A	7, 67, 98	
F56C3/4M2A-575V	7, 67, 98	
F56C3/4M4A	7, 67, 98	
F56C3/4M4A-575V	7, 67, 98	
F56C3/4S2C	6, 67, 97	
F56C3/4S4C	6, 67, 97	
F56C3/4S4C-MO	9, 68, 100	
F56CH1.5S4C	6, 67, 97	
F56CH1.5S4C-MO	9, 68, 100	
F56CH2S2C	6, 67, 97	
F56CH2S4C	6, 67, 97	
F56CH2S4C-MO	9, 68, 100	



<b>N</b>		
NA143.....	62	
NA145.....	62	
NA182.....	62	
NA184.....	62	
NA213.....	62	
NA215.....	62	
NA254.....	62	
NA256.....	62	
NA284.....	62	
NA286.....	62	
NA324.....	62	
NA326.....	62	
NA364.....	62	
NA365.....	62	
NA404.....	62	
NA405.....	62	
NA444.....	62	
NA445.....	62	
NA447.....	62	
NA449.....	62	
NA505.....	62	
NA56.....	62	
NBS-115-2-15.....	54	
NBS-115-2-25.....	54	
NBS-203-3-15.....	54	
NBS-203-3-25.....	54	
NBS-207-4-15.....	54	
NBS-207-4-25.....	54	
NBS-215-5-15.....	54	
NBS-215-5-25.....	54	
NBS-307-6-15.....	54	
NBS-307-6-25.....	54	
NBS-315-7-15.....	54	
NBS-315-7-25.....	54	
NBS-407-8-15.....	54	
NBS-407-8-25.....	54	
NBS-415-9-15.....	54	
NBS-415-9-25.....	54	
NBS-507-10-15.....	54	
NBS-507-10-25.....	54	
NBS-BG-10.....	57	
NBS-BG-2.....	56-57	
NBS-BG-3.....	57	
NBS-BG-4.....	57	
NBS-BG-5.....	57	
NBS-BG-6.....	57	
NBS-BG-7.....	57	
NBS-BG-8.....	57	
NBS-BG-9.....	57	
NBS-BK-10-3.1516.....	55	
NBS-BK-10-4.0716.....	55	
NBS-BK-10-4.1516.....	55	
NBS-BK-10-5.0716.....	55	
NBS-BK-2-1.0716.....	55	
NBS-BK-2-1.1116.....	55	
NBS-BK-2-1.1516.....	55	
NBS-BK-3-1.1516.....	55	
NBS-BK-3-2.0000.....	55	
NBS-BK-3-2.0316.....	55	
NBS-BK-4-1.1516.....	55	
NBS-BK-4-2.0316.....	55	
NBS-BK-4-2.0716.....	55	
NBS-BK-5-2.0102.....	55	
NBS-BK-5-2.0716.....	55	
NBS-BK-5-2.1516.....	55	
NBS-BK-6-2.1516.....	55	
NBS-BK-6-3.0716.....	55	
NBS-BK-7-3.0716.....	55	
NBS-BK-7-3.1516.....	55	
NBS-BK-8-3.0716.....	55	
NBS-BK-8-3.1516.....	55	
NBS-BK-8-4.0716.....	55	
NBS-BK-9-3.0716.....	55	
NBS-BK-9-3.1516.....	55	
NBS-BK-9-4.0716.....	55	
NBS-BK-9-4.1516.....	55	
NBS-BSA-10.....	56	
NBS-BSA-2.....	56	
NBS-BSA-3.....	56	
NBS-BSA-4.....	56	
NBS-BSA-5.....	56	
NBS-BSA-6.....	56	
NBS-BSA-7.....	56	
NBS-BSA-8.....	56	
NBS-BSA-9.....	56	
NBS-MM-10.....	56	
NBS-MM-2.....	56	
NBS-MM-3.....	56	
NBS-MM-4.....	56	
NBS-MM-5.....	56	
NBS-MM-6.....	56	
NBS-MM-7.....	56	
NBS-MM-8.....	56	
NBS-MM-9.....	56	
NBS-RK1-10.....	59	
NBS-RK1-2.....	59	
NBS-RK1-3.....	59	
NBS-RK1-4.....	59	
NBS-RK1-5.....	59	
NBS-RK1-6.....	59	
NBS-RK1-7.....	59	
NBS-RK1-8.....	59	
NBS-RK1-9.....	59	
NBS-RK2-1015.....	59	
NBS-RK2-1025.....	59	
NBS-RK2-215.....	59	
NBS-RK2-225.....	59	
NBS-RK2-315.....	59	
NBS-RK2-325.....	59	
NBS-RK2-415.....	59	
NBS-RK2-425.....	59	
NBS-RK2-515.....	59	
NBS-RK2-525.....	59	
NBS-RK2-615.....	59	
NBS-RK2-625.....	59	
NBS-RK2-715.....	59	
NBS-RK2-725.....	59	
NBS-RK2-815.....	59	
NBS-RK2-825.....	59	
NBS-RK2-915.....	59	
NBS-RK2-925.....	59	
NBS-RK3-1015.....	59	
NBS-RK3-1025.....	59	
NBS-RK3-215.....	59	
NBS-RK3-225.....	59	
NBS-RK3-315.....	59	
NBS-RK3-325.....	59	
NBS-RK3-415.....	59	
NBS-RK3-425.....	59	
NBS-RK3-515.....	59	
NBS-RK3-525.....	59	
NBS-RK3-615.....	59	
NBS-RK3-625.....	59	
NBS-RK3-715.....	59	
NBS-RK3-725.....	59	
NBS-RK3-815.....	59	
NBS-RK3-825.....	59	
NBS-RK3-915.....	59	
NBS-RK3-925.....	59	
NBS-SCA-2-DS-3.0000.....	58	
NBS-SCA-2-FLANGE.....	58	
NBS-SCA-3-DS-2.0000.....	58	
NBS-SCA-3-DS-3.0000.....	58	
NBS-SCA-3-FLANGE.....	58	
NBS-SCA-4-DS-2.0000.....	58	
NBS-SCA-4-DS-3.0000.....	58	
NBS-SCA-4-FLANGE.....	58	
NBS-SCA-5-DS-2.0000.....	58	
NBS-SCA-5-DS-3.0000.....	58	
NBS-SCA-5-FLANGE.....	58	
NBS-SCA-6-DS-3.0000.....	58	
NBS-SCA-6-DS-3.4375.....	58	
NBS-SCA-6-FLANGE.....	58	
NBS-SCA-7-DS-3.0000.....	58	
NBS-SCA-7-DS-3.4375.....	58	
NBS-SCA-7-FLANGE.....	58	
NBS-TA-10.....	57	
NBS-TA-2.....	57	
NBS-TA-3.....	57	
NBS-TA-4.....	57	
NBS-TA-5.....	57	
NBS-TA-6.....	57	
NBS-TA-7.....	57	

NBS-TA-8 ..... 57  
 NBS-TA-9 ..... 57  
 NRR-215TP ..... 60  
 NRR-250/280TP ..... 60  
 NRR-320/360TP ..... 60  
 NRR-400TP ..... 60  
 NRR-445TP ..... 60  
 NRR-5006/8P ..... 60

**O**

OWP184T-2-6 ..... 46, 92, 133  
 OWP184T-2-8 ..... 46-47, 92, 133  
 OWP213T-3-6 ..... 46, 92, 133  
 OWP215T-3-8 ..... 46, 92, 133  
 OWP215T-5-6 ..... 46, 92, 133  
 OWP254T-5-8 ..... 46, 92, 133  
 OWP254T-7.5-6 ..... 46, 92, 133  
 OWP254T-7.5-6-ODP ..... 48, 93, 134  
 OWP256T-10-6 ..... 46, 92, 133  
 OWP256T-10-6-ODP ..... 48, 93, 134  
 OWP256T-7.5-8 ..... 46, 92, 133  
 OWP284T-10-8 ..... 46, 92, 133  
 OWP284T-15-6 ..... 46, 92, 133  
 OWP284T-15-6-ODP ..... 48, 93, 134  
 OWP286T-15-8 ..... 46, 92, 133  
 OWP286T-20-6 ..... 46, 92, 133  
 OWP286T-20-6-ODP ..... 48, 93, 134  
 OWP324T-20-8 ..... 46, 92, 133  
 OWP324T-25-6 ..... 46, 92, 133  
 OWP324T-25-6-ODP ..... 48, 93, 134  
 OWP326T-25-8 ..... 46, 92, 133  
 OWP326T-30-6 ..... 46, 92, 133  
 OWP326T-30-6-ODP ..... 48, 93, 134  
 OWP364T-30-8 ..... 46, 92, 133  
 OWP365T-40-6 ..... 46, 92, 133  
 OWP365T-40-6-ODP ..... 48, 93, 134  
 OWP365T-40-8 ..... 46, 92, 133  
 OWP404T-50-6 ..... 47, 92, 133  
 OWP404T-50-6-ODP ..... 48, 93, 134  
 OWP404T-50-8 ..... 47, 92, 133  
 OWP405T-60-6 ..... 47, 92, 133  
 OWP405T-60-6-ODP ..... 48, 93, 134  
 OWP405T-60-8 ..... 47, 92, 133  
 OWP405T-75-6-ODP ..... 48, 93, 134  
 OWP444T-100-6-ODP ..... 48, 93, 134  
 OWP444T-75-6 ..... 47, 92, 133  
 OWP444T-75-8 ..... 47, 92, 133  
 OWP445T-100-6 ..... 47, 92, 133  
 OWP445T-100-8 ..... 47, 92, 133  
 OWP447T-125-6 ..... 47, 92, 133  
 OWP449T-150-6 ..... 47, 92, 133

**P**

PC182T-3-4 ..... 53, 96, 137

PC184T-5-4 ..... 53, 96, 137  
 PC213T-7.5-4 ..... 53, 96, 137  
 PC215T-10-4 ..... 53, 96, 137  
 PC254T-15-4 ..... 53, 96, 137  
 PC256T-20-4 ..... 53, 96, 137  
 PC284T-25-4 ..... 53, 96, 137  
 PC286T-30-4 ..... 53, 96, 137  
 PC324T-40-4 ..... 53, 96, 137  
 PC326T-50-4 ..... 53, 96, 137  
 PC364T-60-4 ..... 53, 96, 137  
 PE143JM-1-4 ..... 38-39, 88, 127  
 PE143JM-1.5-2 ..... 38, 88, 127  
 PE143JP-1-4 ..... 40-41, 89, 128  
 PE143JP-1.5-2 ..... 40, 89, 128  
 PE143T-1-4 ..... 11-15, 70-73, 102-107  
 PE143T-1-4-575V ..... 11, 70, 102  
 PE143T-1-4-ODP ..... 20-21, 77, 112-114  
 PE143T-1-4C ..... 23, 79-80, 116-118  
 PE143T-1.5-2 ..... 11, 70, 102  
 PE143T-1.5-2-575V ..... 11, 70, 102  
 PE143T-1.5-2-ODP ..... 20, 77, 112  
 PE143TC-1-4 ..... 16-18, 74-75, 108-110  
 PE143TC-1-4-RB-AI ..... 19, 76, 111  
 PE143TC-1-4C ..... 26-27, 81, 119-120  
 PE143TC-1.5-2 ..... 16, 74, 108  
 PE145JM-1.5-4 ..... 38, 88, 127  
 PE145JM-2-2 ..... 38, 88, 127  
 PE145JM-2-4 ..... 38, 88, 127  
 PE145JM-3-2 ..... 38, 88, 127  
 PE145JP-1.5-4 ..... 40, 89, 128  
 PE145JP-2-2 ..... 40, 89, 128  
 PE145JP-2-4 ..... 40, 89, 128  
 PE145JP-3-2 ..... 40, 89, 128  
 PE145T-1-6 ..... 11, 70, 102  
 PE145T-1-6-575V ..... 11, 70, 102  
 PE145T-1-6C ..... 23, 79, 116  
 PE145T-1.5-4 ..... 11, 70, 102  
 PE145T-1.5-4-575V ..... 11, 70, 102  
 PE145T-1.5-4-ODP ..... 20, 77, 112  
 PE145T-1.5-4C ..... 23, 79, 116  
 PE145T-2-2 ..... 12, 70, 102  
 PE145T-2-2-575V ..... 12, 70, 102  
 PE145T-2-2-ODP ..... 20, 77, 112  
 PE145T-2-4 ..... 12, 70, 102  
 PE145T-2-4-575V ..... 12, 70, 102  
 PE145T-2-4-ODP ..... 20, 77, 112  
 PE145T-2-4C ..... 23, 79, 116  
 PE145T-3-2 ..... 12, 70, 102  
 PE145T-3-2-ODP ..... 20, 77, 112  
 PE145TC-1-6 ..... 16, 74, 108  
 PE145TC-1-6C ..... 26, 81, 119  
 PE145TC-1.5-4 ..... 16, 74, 108  
 PE145TC-1.5-4-RB-AI ..... 19, 76, 111  
 PE145TC-1.5-4C ..... 26, 81, 119  
 PE145TC-2-2 ..... 16, 74, 108

PE145TC-2-4 ..... 16, 74, 108  
 PE145TC-2-4-RB-AI ..... 19, 76, 111  
 PE145TC-2-4C ..... 26, 81, 119  
 PE145TC-3-2 ..... 16, 74, 108  
 PE182JM-3-2 ..... 38, 88, 127  
 PE182JM-3-4 ..... 38, 88, 127  
 PE182JP-3-2 ..... 40, 89, 128  
 PE182JP-3-4 ..... 40, 89, 128  
 PE182T-1-8C ..... 23-25, 79, 116  
 PE182T-1.5-6 ..... 11, 70, 102  
 PE182T-1.5-6-575V ..... 11, 70, 102  
 PE182T-1.5-6C ..... 23, 79, 116  
 PE182T-3-2 ..... 12, 70, 102  
 PE182T-3-2-575V ..... 12, 70, 102  
 PE182T-3-4 ..... 12, 70, 102  
 PE182T-3-4-575V ..... 12, 70, 102  
 PE182T-3-4-ODP ..... 20, 77, 112  
 PE182T-3-4C ..... 23, 79, 116  
 PE182T-5-2-ODP ..... 20, 77, 112  
 PE182TC-1.5-6 ..... 16, 74, 108  
 PE182TC-1.5-6C ..... 26, 81, 119  
 PE182TC-3-2 ..... 16, 74, 108  
 PE182TC-3-4 ..... 16, 74, 108  
 PE182TC-3-4-RB-AI ..... 19, 76, 111  
 PE182TC-3-4C ..... 26, 81, 119  
 PE184JM-5-2 ..... 38, 88, 127  
 PE184JM-5-4 ..... 38, 88, 127  
 PE184JM-7.5-2 ..... 38, 88, 127  
 PE184JP-5-2 ..... 40, 89, 128  
 PE184JP-5-4 ..... 40, 89, 128  
 PE184JP-7.5-2 ..... 40, 89, 128  
 PE184T-1.5-8C ..... 23, 79, 116  
 PE184T-2-6 ..... 12, 70, 102  
 PE184T-2-6-575V ..... 12, 70, 102  
 PE184T-2-6C ..... 23, 79, 116  
 PE184T-5-2 ..... 12, 70, 102  
 PE184T-5-2-575V ..... 12, 70, 102  
 PE184T-5-4 ..... 12, 70, 102  
 PE184T-5-4-575V ..... 12, 70, 102  
 PE184T-5-4-ODP ..... 20, 77, 112  
 PE184T-5-4C ..... 23, 79, 116  
 PE184T-7.5-2 ..... 12, 70, 102  
 PE184T-7.5-2-ODP ..... 20, 77, 112  
 PE184TC-2-6 ..... 16, 74, 108  
 PE184TC-2-6C ..... 26, 81, 119  
 PE184TC-5-2 ..... 16, 74, 108  
 PE184TC-5-4 ..... 16, 74, 108  
 PE184TC-5-4-RB-AI ..... 19, 76, 111  
 PE184TC-5-4C ..... 26, 81, 119  
 PE184TC-7.5-2 ..... 17, 74, 108  
 PE213JM-7.5-2 ..... 38, 88, 127  
 PE213JM-7.5-4 ..... 38, 88, 127  
 PE213JP-7.5-2 ..... 40, 89, 128  
 PE213JP-7.5-4 ..... 40, 89, 128  
 PE213T-10-2-ODP ..... 20, 77, 112



PE213T-2-8C.....	23, 79, 116	PE254T-7.5-6C.....	24, 79, 116	PE284TSC-25-2.....	17, 74, 108
PE213T-3-6.....	12, 70, 102	PE254TC-15-2.....	17, 74, 108	PE284TSC-25-4.....	17, 74, 108
PE213T-3-6-575V.....	12, 70, 102	PE254TC-15-4.....	17, 74, 108	PE286JM-30-2.....	39, 88, 127
PE213T-3-6C.....	23, 79, 116	PE254TC-15-4-RB-AI.....	19, 76, 111	PE286JM-30-4.....	39, 88, 127
PE213T-7.5-2.....	12, 70, 102	PE254TC-15-4C.....	26, 81, 119	PE286JM-40-2.....	39, 88, 127
PE213T-7.5-2-575V.....	12, 70, 102	PE254TC-7.5-6.....	17, 74, 108	PE286JP-30-2.....	41, 89, 128
PE213T-7.5-4.....	12, 70, 102	PE254TC-7.5-6C.....	26, 81, 119	PE286JP-30-4.....	41, 89, 128
PE213T-7.5-4-575V.....	12, 70, 102	PE256JM-20-2.....	39, 88, 127	PE286JP-40-2.....	41, 89, 128
PE213T-7.5-4-ODP.....	20, 77, 112	PE256JM-20-4.....	39, 88, 127	PE286T-15-8C.....	24, 79, 116
PE213T-7.5-4C.....	24, 79, 116	PE256JM-25-2.....	39, 88, 127	PE286T-20-6.....	12, 70, 103
PE213TC-3-6.....	16, 74, 108	PE256JP-20-2.....	41, 89, 128	PE286T-20-6-575V.....	12, 70, 103
PE213TC-3-6C.....	26, 81, 119	PE256JP-20-4.....	41, 89, 128	PE286T-20-6C.....	24, 79, 116
PE213TC-7.5-2.....	17, 74, 108	PE256JP-25-2.....	41, 89, 128	PE286T-30-2.....	13, 71, 103
PE213TC-7.5-4.....	17, 74, 108	PE256T-10-6.....	12, 70, 103	PE286T-30-4.....	13, 71, 103
PE213TC-7.5-4-RB-AI.....	19, 76, 111	PE256T-10-6-575V.....	12, 70, 103	PE286T-30-4-575V.....	13, 71, 103
PE213TC-7.5-4C.....	26, 81, 119	PE256T-10-6C.....	24, 79, 116	PE286T-30-4-ODP.....	21, 77, 112
PE215JM-10-2.....	38, 88, 127	PE256T-20-2.....	12, 70, 103	PE286T-30-4C.....	24, 79, 116
PE215JM-10-4.....	38, 88, 127	PE256T-20-2-575V.....	12, 70, 103	PE286T-40-2.....	13, 71, 104
PE215JM-15-2.....	38, 88, 127	PE256T-20-4.....	12, 70, 103	PE286TC-20-6.....	17, 74, 108
PE215JP-10-2.....	40, 89, 128	PE256T-20-4-575V.....	12, 70, 103	PE286TC-20-6C.....	27, 81, 119
PE215JP-10-4.....	40, 89, 128	PE256T-20-4-ODP.....	20-21, 77, 112	PE286TC-30-2.....	17, 74, 109
PE215JP-15-2.....	40, 89, 128	PE256T-20-4C.....	24, 79, 116	PE286TC-30-4.....	17, 74, 109
PE215T-10-2.....	12, 70, 103	PE256T-25-2.....	13, 71, 103	PE286TC-30-4-RB-AI.....	19, 76, 111
PE215T-10-2-575V.....	12, 70, 103	PE256T-25-2-ODP.....	21, 77, 112	PE286TC-30-4C.....	27, 81, 119
PE215T-10-4.....	12, 70, 103	PE256T-7.5-8C.....	24, 79, 116	PE286TC-40-2.....	17, 74, 109
PE215T-10-4-575V.....	12, 70, 103	PE256TC-10-6.....	17, 74, 108	PE286TS-30-2.....	13, 71, 103
PE215T-10-4-ODP.....	20, 77, 112	PE256TC-10-6C.....	26, 81, 119	PE286TS-30-2-575V.....	13, 71, 103
PE215T-10-4C.....	24, 79, 116	PE256TC-20-2.....	17, 74, 108	PE286TS-30-4.....	13, 71, 103
PE215T-15-2.....	12, 70, 103	PE256TC-20-4.....	17, 74, 108	PE286TS-40-2.....	13, 71, 104
PE215T-15-2-ODP.....	20, 77, 112	PE256TC-20-4-RB-AI.....	19, 76, 111	PE286TS-40-2-ODP.....	21, 77, 113
PE215T-3-8C.....	23, 79, 116	PE256TC-20-4C.....	27, 81, 119	PE286TSC-30-2.....	17, 74, 109
PE215T-5-6.....	12, 70, 102	PE256TC-25-2.....	17, 74, 108	PE286TSC-30-4.....	17, 74, 109
PE215T-5-6-575V.....	12, 70, 102	PE284JM-25-2.....	39, 88, 127	PE286TSC-40-2.....	17, 74, 109
PE215T-5-6C.....	23, 79, 116	PE284JM-25-4.....	39, 88, 127	PE324JM-40-2.....	39, 88, 127
PE215TC-10-2.....	17, 74, 108	PE284JP-25-2.....	41, 89, 128	PE324JM-40-4.....	39, 88, 127
PE215TC-10-4.....	17, 74, 108	PE284JP-25-4.....	41, 89, 128	PE324JP-40-2.....	41, 89, 128
PE215TC-10-4-RB-AI.....	19, 76, 111	PE284T-10-8C.....	24, 79, 116	PE324JP-40-4.....	41, 89, 128
PE215TC-10-4C.....	26, 81, 119	PE284T-15-6.....	12, 70, 103	PE324T-20-8C.....	24, 79, 116
PE215TC-15-2.....	17, 74, 108	PE284T-15-6-575V.....	12, 70, 103	PE324T-25-6.....	13, 71, 103
PE215TC-5-6.....	16, 74, 108	PE284T-15-6C.....	24, 79, 116	PE324T-25-6-575V.....	13, 71, 103
PE215TC-5-6C.....	26, 81, 119	PE284T-25-2.....	13, 71, 103	PE324T-25-6C.....	24, 79, 116
PE254JM-15-2.....	38, 88, 127	PE284T-25-4.....	13, 71, 103	PE324T-40-2.....	13, 71, 104
PE254JM-15-4.....	38, 88, 127	PE284T-25-4-575V.....	13, 71, 103	PE324T-40-4.....	13, 71, 104
PE254JP-15-2.....	40, 89, 128	PE284T-25-4-ODP.....	21, 77, 112	PE324T-40-4-575V.....	13, 71, 104
PE254JP-15-4.....	40, 89, 128	PE284T-25-4C.....	24, 79, 116	PE324T-40-4-ODP.....	21, 77, 113
PE254T-15-2.....	12, 70, 103	PE284TC-15-6.....	17, 74, 108	PE324T-40-4C.....	24, 79, 116
PE254T-15-2-575V.....	12, 70, 103	PE284TC-15-6C.....	26, 81, 119	PE324TC-25-6.....	17, 74, 108
PE254T-15-4.....	12, 70, 103	PE284TC-25-2.....	17, 74, 108	PE324TC-25-6C.....	27, 81, 119
PE254T-15-4-575V.....	12, 70, 103	PE284TC-25-4.....	17, 74, 108	PE324TC-40-2.....	17, 74, 109
PE254T-15-4-ODP.....	20, 77, 112	PE284TC-25-4-RB-AI.....	19, 76, 111	PE324TC-40-4.....	17, 74, 109
PE254T-15-4C.....	24, 79, 116	PE284TC-25-4C.....	27, 81, 119	PE324TC-40-4C.....	27, 81, 119
PE254T-20-2-ODP.....	20, 77, 112	PE284TS-25-2.....	13, 71, 103	PE324TS-40-2.....	13, 71, 104
PE254T-5-8C.....	23, 79, 116	PE284TS-25-2-575V.....	13, 71, 103	PE324TS-40-2-575V.....	13, 71, 104
PE254T-7.5-6.....	12, 70, 102	PE284TS-25-4.....	13, 71, 103	PE324TS-40-4.....	13, 71, 104
PE254T-7.5-6-575V.....	12, 70, 102	PE284TS-30-2-ODP.....	21, 77, 112	PE324TS-40-4-ODP.....	21, 77, 113



PE324TS-50-2-ODP.....	21, 77, 113	PE365JP-75-2.....	41, 89, 128	PE405TS-150-2-ODP.....	21, 77, 114
PE324TSC-40-2.....	17, 74, 109	PE365JP-75-4.....	41, 89, 128	PE405TSC-100-2.....	18, 75, 109
PE324TSC-40-4.....	17, 74, 109	PE365T-40-8C.....	24, 79, 116	PE405TSC-100-4.....	18, 75, 109
PE326JM-50-2.....	39, 88, 127	PE365T-50-6.....	13, 71, 104	PE444T-100-6.....	14, 72, 105
PE326JM-50-4.....	39, 88, 127	PE365T-50-6-575V.....	13, 71, 104	PE444T-100-6-575V.....	14, 72, 105
PE326JP-50-2.....	41, 89, 128	PE365T-50-6C.....	24, 79, 117	PE444T-100-6-IN.....	14, 72, 105
PE326JP-50-4.....	41, 89, 128	PE365T-75-2.....	14, 71, 104	PE444T-100-6C.....	24, 79, 117
PE326T-25-8C.....	24, 79, 116	PE365T-75-4.....	14, 71, 104	PE444T-125-4.....	14, 72, 105
PE326T-30-6.....	13, 71, 103	PE365T-75-4-575V.....	14, 71, 104	PE444T-125-4-575V.....	14, 72, 105
PE326T-30-6-575V.....	13, 71, 103	PE365T-75-4-ODP.....	21, 77, 113	PE444T-125-4-BB.....	14, 72, 105
PE326T-30-6C.....	24, 79, 116	PE365T-75-4C.....	24, 79, 117	PE444T-125-4-IN.....	14, 72, 105
PE326T-50-2.....	13, 71, 104	PE365TC-50-6.....	17, 74, 109	PE444T-125-4C.....	24, 79, 117
PE326T-50-4.....	13, 71, 104	PE365TC-50-6C.....	27, 81, 119	PE444T-150-4-BB-ODP.....	21, 77, 114
PE326T-50-4-575V.....	13, 71, 104	PE365TC-75-2.....	17, 75, 109	PE444T-150-4-ODP.....	21, 77, 114
PE326T-50-4-ODP.....	21, 77, 113	PE365TC-75-4.....	17, 75, 109	PE444T-75-8C.....	24, 79, 117
PE326T-50-4C.....	24, 79, 117	PE365TC-75-4C.....	27, 81, 119	PE444TC-100-6.....	18, 75, 109
PE326TC-30-6.....	17, 74, 109	PE365TS-100-2-ODP.....	21, 77, 113	PE444TC-100-6C.....	27, 81, 119
PE326TC-30-6C.....	27, 81, 119	PE365TS-75-2.....	14, 71, 104	PE444TC-125-4.....	18, 75, 110
PE326TC-50-2.....	17, 74, 109	PE365TS-75-2-575V.....	14, 71, 104	PE444TC-125-4-IN.....	18, 75, 110
PE326TC-50-4.....	17, 74, 109	PE365TS-75-4.....	14, 71, 104	PE444TC-125-4C.....	27, 81, 119
PE326TC-50-4C.....	27, 81, 119	PE365TS-75-4-ODP.....	21, 77, 113	PE444TS-125-2.....	14, 72, 105
PE326TS-50-2.....	13, 71, 104	PE365TSC-75-2.....	17, 75, 109	PE444TS-125-2-575V.....	14, 72, 105
PE326TS-50-2-575V.....	13, 71, 104	PE365TSC-75-4.....	17, 75, 109	PE444TS-125-2-IN.....	14, 72, 105
PE326TS-50-4.....	13, 71, 104	PE404T-100-4-BB-ODP.....	21, 77, 113	PE444TS-125-4.....	14, 72, 105
PE326TS-50-4-ODP.....	21, 77, 113	PE404T-100-4-ODP.....	21, 77, 113	PE444TS-150-4-ODP.....	21, 77, 114
PE326TS-60-2-ODP.....	21, 77, 113	PE404T-50-8C.....	24, 79, 117	PE444TS-200-2-ODP.....	21, 77, 114
PE326TSC-50-2.....	17, 74, 109	PE404T-60-6.....	13, 71, 104	PE444TSC-125-2.....	18, 75, 110
PE326TSC-50-4.....	17, 74, 109	PE404T-60-6-575V.....	13, 71, 104	PE444TSC-125-4.....	18, 75, 110
PE364JM-60-2.....	39, 88, 127	PE404T-60-6-BB.....	13, 71, 104	PE445T-100-8C.....	24, 79, 117
PE364JM-60-4.....	39, 88, 127	PE404T-60-6C.....	24, 79, 117	PE445T-125-6.....	14, 72, 105
PE364JP-60-2.....	41, 89, 128	PE404TC-60-6.....	17, 75, 109	PE445T-125-6-575V.....	14, 72, 105
PE364JP-60-4.....	41, 89, 128	PE404TC-60-6C.....	27, 81, 119	PE445T-125-6-IN.....	14, 72, 105
PE364T-30-8C.....	24, 79, 116	PE404TS-100-4-ODP.....	21, 77, 113	PE445T-125-6C.....	24, 79, 117
PE364T-40-6.....	13, 71, 104	PE404TS-125-2-ODP.....	21, 77, 113	PE445T-150-4.....	14, 72, 105
PE364T-40-6-575V.....	13, 71, 104	PE405T-100-2.....	14, 72, 105	PE445T-150-4-575V.....	14, 72, 105
PE364T-40-6C.....	24, 79, 116	PE405T-100-4.....	14, 72, 105	PE445T-150-4-BB.....	14, 72, 105
PE364T-60-2.....	13, 71, 104	PE405T-100-4-575V.....	14, 72, 105	PE445T-150-4-IN.....	14, 72, 105
PE364T-60-4.....	13, 71, 104	PE405T-100-4-BB.....	14, 72, 105	PE445T-150-4C.....	24, 79, 117
PE364T-60-4-575V.....	13, 71, 104	PE405T-100-4C.....	24, 79, 117	PE445T-200-4-BB-ODP.....	21, 77, 114
PE364T-60-4-ODP.....	21, 77, 113	PE405T-125-4-BB-ODP.....	21, 77, 113	PE445T-200-4-ODP.....	21, 77, 114
PE364T-60-4C.....	24, 79, 117	PE405T-125-4-ODP.....	21, 77, 113	PE445TC-125-6.....	18, 75, 110
PE364TC-40-6.....	17, 74, 109	PE405T-60-8C.....	24, 79, 117	PE445TC-125-6C.....	27, 81, 119
PE364TC-40-6C.....	27, 81, 119	PE405T-75-6.....	14, 71, 104	PE445TC-150-4.....	18, 75, 110
PE364TC-60-2.....	17, 75, 109	PE405T-75-6-575V.....	14, 71, 104	PE445TC-150-4-IN.....	18, 75, 110
PE364TC-60-4.....	17, 75, 109	PE405T-75-6-BB.....	14, 71, 104	PE445TC-150-4C.....	27, 81, 119
PE364TC-60-4C.....	27, 81, 119	PE405T-75-6C.....	24, 79, 117	PE445TS-150-2.....	14, 72, 105
PE364TS-60-2.....	13, 71, 104	PE405TC-100-2.....	18, 75, 109	PE445TS-150-2-575V.....	14, 72, 105
PE364TS-60-2-575V.....	13, 71, 104	PE405TC-100-4.....	18, 75, 109	PE445TS-150-2-IN.....	14, 72, 105
PE364TS-60-4.....	13, 71, 104	PE405TC-100-4C.....	27, 81, 119	PE445TS-150-4.....	14, 72, 105
PE364TS-60-4-ODP.....	21, 77, 113	PE405TC-75-6.....	17, 75, 109	PE445TS-200-4-ODP.....	21, 77, 114
PE364TS-75-2-ODP.....	21, 77, 113	PE405TC-75-6C.....	27, 81, 119	PE445TS-250-2-ODP.....	21, 77, 114
PE364TSC-60-2.....	17, 75, 109	PE405TS-100-2.....	14, 72, 105	PE445TSC-150-2.....	18, 75, 110
PE364TSC-60-4.....	17, 75, 109	PE405TS-100-2-575V.....	14, 72, 105	PE445TSC-150-4.....	18, 75, 110
PE365JM-75-2.....	39, 88, 127	PE405TS-100-4.....	14, 72, 105	PE447T-125-8C.....	24, 79, 117
PE365JM-75-4.....	39, 88, 127	PE405TS-125-4-ODP.....	21, 77, 113	PE447T-150-6.....	14, 72, 105



PE447T-150-6-575V.....	14, 72, 105	PE449TC-300-6.....	18, 75, 110	PESS145TC1M-6-B.....	32, 84, 123
PE447T-150-6-IN.....	14, 72, 105	PE449TC-300-6C.....	27, 81, 120	PESS145TC1M-6-RB-A.....	30, 83, 122
PE447T-150-6C.....	24, 79, 117	PE449TS-250-2.....	15, 72, 106	PESS145TC1M-6-RB-B.....	34, 85, 124
PE447T-200-4.....	15, 72, 106	PE449TS-250-2-575V.....	15, 72, 106	PESS145TC2M-2-A.....	29, 82, 121
PE447T-200-4-575V.....	15, 72, 106	PE449TS-250-2-IN.....	15, 72, 106	PESS145TC2M-2-A-NV.....	36, 86, 125
PE447T-200-4-BB.....	15, 72, 106	PE449TS-300-2.....	15, 73, 106	PESS145TC2M-2-B.....	33, 84, 123
PE447T-200-4-IN.....	15, 72, 106	PE449TS-300-2-575V.....	15, 73, 106	PESS145TC2M-2-RB-A.....	31, 83, 122
PE447T-200-4C.....	24, 79, 117	PE449TS-300-2-IN.....	15, 73, 106	PESS145TC2M-2-RB-A-NV.....	37, 87, 126
PE447T-250-4-ODP.....	21, 77, 114	PE449TS-300-4.....	15, 73, 106	PESS145TC2M-2-RB-B.....	35, 85, 124
PE447TC-150-6.....	18, 75, 110	PE449TSC-250-2.....	18, 75, 110	PESS145TC2M-4-A.....	29, 82, 121
PE447TC-150-6C.....	27, 81, 119	PE449TSC-300-2.....	18, 75, 110	PESS145TC2M-4-A-NV.....	36, 86, 125
PE447TC-200-4.....	18, 75, 110	PE505UZ-250-4C.....	24, 80, 117	PESS145TC2M-4-B.....	33, 84, 123
PE447TC-200-4-IN.....	18, 75, 110	PE505UZ-250-6C.....	24, 80, 117	PESS145TC2M-4-RB-A.....	31, 83, 122
PE447TC-200-4C.....	27, 81, 120	PE505UZ-300-4C.....	24, 80, 117	PESS145TC2M-4-RB-A-NV.....	37, 87, 126
PE447TS-200-2.....	15, 72, 106	PE505UZ-300-6C.....	24, 80, 117	PESS145TC2M-4-RB-B.....	35, 85, 124
PE447TS-200-2-575V.....	15, 72, 106	PE505UZ-350-4C.....	25, 80, 117	PESS145TC3M-2-A.....	29, 82, 121
PE447TS-200-2-IN.....	15, 72, 106	PE505UZ-350-6C.....	25, 80, 117	PESS145TC3M-2-B.....	33, 84, 123
PE447TS-200-4.....	15, 72, 106	PE587UZ-300-6C.....	24, 80, 117	PESS145TC3M-2-RB-A.....	31, 83, 122
PE447TS-300-2-ODP.....	21, 77, 114	PE587UZ-350-4C.....	25, 80, 117	PESS145TC3M-2-RB-B.....	35, 85, 124
PE447TSC-200-2.....	18, 75, 110	PE587UZ-350-4C-BB.....	15, 73, 106	PESS182TC1.5M-6-A.....	28, 82, 121
PE447TSC-200-4.....	18, 75, 110	PE587UZ-350-6C.....	25, 80, 117	PESS182TC1.5M-6-B.....	32, 84, 123
PE449T-150-8C.....	24, 79, 117	PE587UZ-350-6C-BB.....	15, 73, 106	PESS182TC1.5M-6-RB-A.....	30, 83, 122
PE449T-200-6.....	15, 72, 106	PE587UZ-400-4C.....	25, 80, 117	PESS182TC1.5M-6-RB-B.....	34, 85, 124
PE449T-200-6-575V.....	15, 72, 106	PE587UZ-400-4C-BB.....	15, 73, 106	PESS182TC3M-2-A.....	29, 82, 121
PE449T-200-6-IN.....	15, 72, 106	PE587UZ-400-6C.....	25, 80, 117	PESS182TC3M-2-A-NV.....	36, 86, 125
PE449T-200-6C.....	24, 79, 117	PE587UZ-400-6C-BB.....	15, 73, 106	PESS182TC3M-2-B.....	33, 84, 123
PE449T-250-4.....	15, 72, 106	PE587UZ-450-4C.....	25, 80, 118	PESS182TC3M-2-RB-A.....	31, 83, 122
PE449T-250-4-575V.....	15, 72, 106	PE587UZ-450-4C-BB.....	15, 73, 107	PESS182TC3M-2-RB-A-NV.....	37, 87, 126
PE449T-250-4-BB.....	15, 72, 106	PE587UZ-450-6C.....	25, 80, 118	PESS182TC3M-2-RB-B.....	35, 85, 124
PE449T-250-4-IN.....	15, 72, 106	PE587UZ-450-6C-BB.....	15, 73, 107	PESS182TC3M-4-A.....	29, 82, 121
PE449T-250-4C.....	24, 80, 117	PE587UZ-500-4C.....	25, 80, 118	PESS182TC3M-4-A-NV.....	36, 86, 125
PE449T-250-6.....	15, 72, 106	PE587UZ-500-4C-BB.....	15, 73, 107	PESS182TC3M-4-B.....	33, 84, 123
PE449T-250-6-575V.....	15, 72, 106	PE587UZ-500-6C.....	25, 80, 118	PESS182TC3M-4-RB-A.....	31, 83, 122
PE449T-250-6-IN.....	15, 72, 106	PE587UZ-500-6C-BB.....	15, 73, 107	PESS182TC3M-4-RB-A-NV.....	37, 87, 126
PE449T-250-6C.....	24, 80, 117	PE587UZ-600-4C.....	25, 80, 118	PESS182TC3M-4-RB-B.....	35, 85, 124
PE449T-300-4.....	15, 73, 106	PE587UZ-600-4C-BB.....	15, 73, 107	PESS184TC2M-6-A.....	29, 82, 121
PE449T-300-4-575V.....	15, 73, 106	PESS143TC1.5M-2-A.....	28, 82, 121	PESS184TC2M-6-B.....	33, 84, 123
PE449T-300-4-BB.....	15, 73, 106	PESS143TC1.5M-2-A-NV.....	36, 86, 125	PESS184TC2M-6-RB-A.....	31, 83, 122
PE449T-300-4-IN.....	15, 73, 106	PESS143TC1.5M-2-B.....	32, 84, 123	PESS184TC2M-6-RB-B.....	35, 85, 124
PE449T-300-4-ODP.....	21, 77, 114	PESS143TC1.5M-2-RB-A.....	30, 83, 122	PESS184TC5M-2-A.....	29, 82, 121
PE449T-300-4C.....	24, 80, 117	PESS143TC1.5M-2-RB-A-NV.....	37, 87, 126	PESS184TC5M-2-B.....	33, 84, 123
PE449T-300-6.....	15, 73, 106	PESS143TC1.5M-2-RB-B.....	34, 85, 124	PESS184TC5M-2-RB-A.....	31, 83, 122
PE449T-300-6-575V.....	15, 73, 106	PESS143TC1M-4-A.....	28, 82, 121	PESS184TC5M-2-RB-B.....	35, 85, 124
PE449T-300-6-IN.....	15, 73, 106	PESS143TC1M-4-A-NV.....	36, 86, 125	PESS184TC5M-4-A.....	29, 82, 121
PE449T-300-6C.....	24, 80, 117	PESS143TC1M-4-B.....	32, 84, 123	PESS184TC5M-4-B.....	33, 84, 123
PE449TC-200-6.....	18, 75, 110	PESS143TC1M-4-RB-A.....	30, 83, 122	PESS184TC5M-4-RB-A.....	31, 83, 122
PE449TC-200-6C.....	27, 81, 120	PESS143TC1M-4-RB-A-NV.....	37, 87, 126	PESS184TC5M-4-RB-B.....	35, 85, 124
PE449TC-250-4.....	18, 75, 110	PESS143TC1M-4-RB-B.....	34, 85, 124	PESS213TC3M-6-A.....	29, 82, 121
PE449TC-250-4-IN.....	18, 75, 110	PESS145TC1.5M-4-A.....	28, 82, 121	PESS213TC3M-6-B.....	33, 84, 123
PE449TC-250-4C.....	27, 81, 120	PESS145TC1.5M-4-A-NV.....	36, 86, 125	PESS213TC3M-6-RB-A.....	31, 83, 122
PE449TC-250-6.....	18, 75, 110	PESS145TC1.5M-4-B.....	32, 84, 123	PESS213TC3M-6-RB-B.....	35, 85, 124
PE449TC-250-6C.....	27, 81, 120	PESS145TC1.5M-4-RB-A.....	30, 83, 122	PESS213TC7.5M-2-A.....	29, 82, 121
PE449TC-300-4.....	18, 75, 110	PESS145TC1.5M-4-RB-A-NV.....	37, 87, 126	PESS213TC7.5M-2-B.....	33, 84, 123
PE449TC-300-4-IN.....	18, 75, 110	PESS145TC1.5M-4-RB-B.....	34, 85, 124	PESS213TC7.5M-2-RB-A.....	31, 83, 122
PE449TC-300-4C.....	27, 81, 120	PESS145TC1M-6-A.....	28, 82, 121	PESS213TC7.5M-2-RB-B.....	35, 85, 124



PESS213TC7.5M-4-A.....	29, 82, 121	PESS56C1M-4-RB-B.....	34, 85, 124	PEXP256T-10-6.....	43, 90, 129
PESS213TC7.5M-4-B.....	33, 84, 123	PESS56C2M-2-A.....	29, 82, 121	PEXP256T-20-2.....	43, 90, 129
PESS213TC7.5M-4-RB-A.....	31, 83, 122	PESS56C2M-2-A-NV.....	36, 86, 125	PEXP256T-20-4.....	43, 90, 129
PESS213TC7.5M-4-RB-B.....	35, 85, 124	PESS56C2M-2-B.....	33, 84, 123	PEXP256TC-10-6.....	45, 91, 131
PESS215TC10M-2-A.....	29, 82, 121	PESS56C2M-2-RB-A.....	31, 83, 122	PEXP256TC-20-2.....	45, 91, 131
PESS215TC10M-2-B.....	33, 84, 123	PESS56C2M-2-RB-A-NV.....	37, 87, 126	PEXP256TC-20-4.....	45, 91, 131
PESS215TC10M-2-RB-A.....	31, 83, 122	PESS56C2M-2-RB-B.....	35, 85, 124	PEXP284T-15-6.....	43, 90, 129
PESS215TC10M-2-RB-B.....	35, 85, 124	PESS56C2M-4-A.....	29, 82, 121	PEXP284T-25-4.....	43, 90, 129
PESS215TC10M-4-A.....	29, 82, 121	PESS56C2M-4-A-NV.....	36, 86, 125	PEXP284TC-15-6.....	43, 90, 129
PESS215TC10M-4-B.....	33, 84, 123	PESS56C2M-4-B.....	33, 84, 123	PEXP284TC-25-4.....	45, 91, 131
PESS215TC10M-4-RB-A.....	31, 83, 122	PESS56C2M-4-RB-A.....	31, 83, 122	PEXP284TS-25-2.....	43, 90, 129
PESS215TC10M-4-RB-B.....	35, 85, 124	PESS56C2M-4-RB-A-NV.....	37, 87, 126	PEXP284TSC-25-2.....	45, 91, 131
PESS215TC5M-6-A.....	29, 82, 121	PESS56C2M-4-RB-B.....	35, 85, 124	PEXP286T-20-6.....	43, 90, 129
PESS215TC5M-6-B.....	33, 84, 123	PEXP143T-1-4.....	42-43, 90, 129-130	PEXP286T-30-4.....	43, 90, 129
PESS215TC5M-6-RB-A.....	31, 83, 122	PEXP143T-1.5-2.....	42, 90, 129	PEXP286TC-20-6.....	45, 91, 131
PESS215TC5M-6-RB-B.....	35, 85, 124	PEXP143TC-1-4.....	44-45, 91, 131-132	PEXP286TC-30-4.....	45, 91, 131
PESS254TC15M-2-A.....	29, 82, 121	PEXP143TC-1.5-2.....	44, 91, 131	PEXP286TS-30-2.....	43, 90, 129
PESS254TC15M-2-B.....	33, 84, 123	PEXP145T-1-6.....	42, 90, 129	PEXP286TSC-30-2.....	45, 91, 131
PESS254TC15M-2-RB-A.....	31, 83, 122	PEXP145T-1.5-4.....	42, 90, 129	PEXP324T-25-6.....	43, 90, 129
PESS254TC15M-2-RB-B.....	35, 85, 124	PEXP145T-2-2.....	42, 90, 129	PEXP324T-40-4.....	43, 90, 129
PESS254TC15M-4-A.....	29, 82, 121	PEXP145T-2-4.....	42, 90, 129	PEXP324TC-25-6.....	45, 91, 131
PESS254TC15M-4-B.....	33, 84, 123	PEXP145TC-1-6.....	44, 91, 131	PEXP324TC-40-4.....	45, 91, 131
PESS254TC15M-4-RB-A.....	31, 83, 122	PEXP145TC-1.5-4.....	44, 91, 131	PEXP324TS-40-2.....	43, 90, 129
PESS254TC15M-4-RB-B.....	35, 85, 124	PEXP145TC-2-2.....	44, 91, 131	PEXP324TSC-40-2.....	45, 91, 131
PESS256TC20M-2-A.....	29, 82, 121	PEXP145TC-2-4.....	44, 91, 131	PEXP326T-30-6.....	43, 90, 129
PESS256TC20M-2-B.....	33, 84, 123	PEXP182T-1-5-6.....	42, 90, 129	PEXP326T-50-4.....	43, 90, 129
PESS256TC20M-2-RB-A.....	31, 83, 122	PEXP182T-3-2.....	42, 90, 129	PEXP326TC-30-6.....	45, 91, 131
PESS256TC20M-2-RB-B.....	35, 85, 124	PEXP182T-3-4.....	42, 90, 129	PEXP326TC-50-4.....	45, 91, 131
PESS256TC20M-4-A.....	29, 82, 121	PEXP182TC-1-5-6.....	44, 91, 131	PEXP326TS-50-2.....	43, 90, 130
PESS256TC20M-4-B.....	33, 84, 123	PEXP182TC-3-2.....	44, 91, 131	PEXP326TSC-50-2.....	45, 91, 132
PESS256TC20M-4-RB-A.....	31, 83, 122	PEXP182TC-3-4.....	44, 91, 131	PEXP364T-40-6.....	43, 90, 129
PESS256TC20M-4-RB-B.....	35, 85, 124	PEXP184T-2-6.....	42, 90, 129	PEXP364T-60-4.....	43, 90, 130
PESS56C1.5M-2-A.....	28, 82, 121	PEXP184T-5-2.....	42, 90, 129	PEXP364TC-40-6.....	45, 91, 131
PESS56C1.5M-2-A-NV.....	36, 86, 125	PEXP184T-5-4.....	42, 90, 129	PEXP364TC-60-4.....	45, 91, 132
PESS56C1.5M-2-B.....	32, 84, 123	PEXP184TC-2-6.....	44, 91, 131	PEXP364TS-60-2.....	43, 90, 130
PESS56C1.5M-2-RB-A.....	30, 83, 122	PEXP184TC-5-2.....	45, 91, 131	PEXP364TSC-60-2.....	45, 91, 132
PESS56C1.5M-2-RB-A-NV.....	37, 87, 126	PEXP184TC-5-4.....	45, 91, 131	PEXP365T-50-6.....	43, 90, 130
PESS56C1.5M-2-RB-B.....	34, 85, 124	PEXP213T-3-6.....	42, 90, 129	PEXP365T-75-4.....	43, 90, 130
PESS56C1.5M-4-A.....	28, 82, 121	PEXP213T-7.5-2.....	43, 90, 129	PEXP365TC-50-6.....	45, 91, 132
PESS56C1.5M-4-A-NV.....	36, 86, 125	PEXP213T-7.5-4.....	43, 90, 129	PEXP365TC-75-4.....	45, 91, 132
PESS56C1.5M-4-B.....	32, 84, 123	PEXP213TC-3-6.....	44, 91, 131	PEXP365TS-75-2.....	43, 90, 130
PESS56C1.5M-4-RB-A.....	30, 83, 122	PEXP213TC-7.5-2.....	45, 91, 131	PEXP365TSC-75-2.....	45, 91, 132
PESS56C1.5M-4-RB-A-NV.....	37, 87, 126	PEXP213TC-7.5-4.....	45, 91, 131	PEXP404T-60-6.....	43, 90, 130
PESS56C1.5M-4-RB-B.....	34, 85, 124	PEXP215T-10-2.....	43, 90, 129	PEXP404TC-60-6.....	45, 91, 132
PESS56C1M-2-A.....	28, 82, 121	PEXP215T-10-4.....	43, 90, 129	PEXP405T-100-4.....	43, 90, 130
PESS56C1M-2-A-NV.....	36, 86, 125	PEXP215T-5-6.....	42, 90, 129	PEXP405T-75-6.....	43, 90, 130
PESS56C1M-2-B.....	32, 84, 123	PEXP215TC-10-2.....	45, 91, 131	PEXP405TC-100-4.....	45, 91, 132
PESS56C1M-2-RB-A.....	30, 83, 122	PEXP215TC-10-4.....	45, 91, 131	PEXP405TC-75-6.....	45, 91, 132
PESS56C1M-2-RB-A-NV.....	37, 87, 126	PEXP215TC-5-6.....	45, 91, 131	PEXP405TS-100-2.....	43, 90, 130
PESS56C1M-2-RB-B.....	34, 85, 124	PEXP254T-15-2.....	43, 90, 129	PEXP405TSC-100-2.....	45, 91, 132
PESS56C1M-4-A.....	28, 82, 121	PEXP254T-15-4.....	43, 90, 129	PEXP444T-100-6.....	43, 90, 130
PESS56C1M-4-A-NV.....	36, 86, 125	PEXP254T-7.5-6.....	43, 90, 129	PEXP444T-125-4.....	43, 90, 130
PESS56C1M-4-B.....	32, 84, 123	PEXP254TC-15-2.....	45, 91, 131	PEXP444TC-100-6.....	45, 91, 132
PESS56C1M-4-RB-A.....	30, 83, 122	PEXP254TC-15-4.....	45, 91, 131	PEXP444TC-125-4.....	45, 91, 132
PESS56C1M-4-RB-A-NV.....	37, 87, 126	PEXP254TC-7.5-6.....	45, 91, 131	PEXP444TS-125-2.....	43, 90, 130





PEXP444TSC-125-2 ..... 45, 91, 132  
 PEXP445T-125-6..... 43, 90, 130  
 PEXP445T-150-4..... 43, 90, 130  
 PEXP445TC-125-6..... 45, 91, 132  
 PEXP445TC-150-4..... 45, 91, 132  
 PEXP445TS-150-2..... 43, 90, 130  
 PEXP445TSC-150-2 ..... 45, 91, 132  
 PEXP447T-150-6..... 43, 90, 130  
 PEXP447T-200-4..... 43, 90, 130  
 PEXP447TC-150-6..... 45, 91, 132  
 PEXP447TC-200-4..... 45, 91, 132  
 PEXP447TS-200-2..... 43, 90, 130  
 PEXP447TSC-200-2 ..... 45, 91, 132  
 PEXP449T-200-6..... 43, 90, 130  
 PEXP449TC-200-6..... 45, 91, 132  
 PEXP449TC-250-4..... 45, 91, 132  
 PEXP449TS-250-2..... 43, 90, 130  
 PEXP449TSC-250-2 ..... 45, 91, 132  
 PR143T1.5M2A ..... 8, 68, 99  
 PR143T1M4A ..... 8, 68, 99  
 PR145T1.5M4A ..... 8, 68, 99  
 PR145T2M2A ..... 8, 68, 99  
 PR145T2M4A ..... 8, 68, 99  
 PR182T3M2A ..... 8, 68, 99  
 PR182T3M4A ..... 8, 68, 99  
 PR184T5M2A ..... 8, 68, 99  
 PR184T5M4A ..... 8, 68, 99  
 PR213T7.5M2A ..... 8, 68, 99  
 PR213T7.5M4A ..... 8, 68, 99  
 PR215T10M2A ..... 8, 68, 99  
 PR215T10M4A ..... 8, 68, 99  
 PR56C1.5M2A ..... 7, 67, 98  
 PR56C1.5M2A-575V ..... 7, 67, 98  
 PR56C1.5M4A ..... 7, 67, 98  
 PR56C1.5M4A-575V ..... 7, 67, 98  
 PR56C1M2A ..... 7, 67, 98  
 PR56C1M2A-575V ..... 7, 67, 98  
 PR56C1M4A ..... 7, 67, 98  
 PR56C1M4A-575V ..... 7, 67, 98  
 PR56C2M2A ..... 7, 67, 98  
 PR56C2M2A-575V ..... 7, 67, 98  
 PR56CH2M4A ..... 7, 67, 98  
 PR56CH2M4A-575V ..... 7, 67, 98  
 PR56CH3M2A ..... 7, 67, 98  
 PR56CH3M2A-575V ..... 7, 67, 98

**S**

SG-LUBRIPOINT ..... 60  
 SS56C1/2M-2-A ..... 28, 82, 121  
 SS56C1/2M-2-A-NV ..... 36, 86, 125  
 SS56C1/2M-2-B ..... 32, 84, 123  
 SS56C1/2M-2-RB-A ..... 30, 83, 122  
 SS56C1/2M-2-RB-A-NV ..... 37, 87, 126  
 SS56C1/2M-2-RB-B ..... 34, 85, 124

SS56C1/2M-4-A ..... 28, 82, 121  
 SS56C1/2M-4-A-NV ..... 36, 86, 125  
 SS56C1/2M-4-B ..... 32, 84, 123  
 SS56C1/2M-4-RB-A ..... 30, 83, 122  
 SS56C1/2M-4-RB-A-NV ..... 37, 87, 126  
 SS56C1/2M-4-RB-B ..... 34, 85, 124  
 SS56C1/2M-6-A ..... 28, 82, 121  
 SS56C1/2M-6-B ..... 32, 84, 123  
 SS56C1/2M-6-RB-A ..... 30, 83, 122  
 SS56C1/2M-6-RB-B ..... 34, 85, 124  
 SS56C1/3M-2-A ..... 28-29, 82, 121  
 SS56C1/3M-2-A-NV ..... 36, 86, 125  
 SS56C1/3M-2-B ..... 32-33, 84, 123  
 SS56C1/3M-2-RB-A ..... 30-31, 83, 122  
 SS56C1/3M-2-RB-A-NV ..... 37, 87, 126  
 SS56C1/3M-2-RB-B ..... 34-35, 85, 124  
 SS56C1/3M-4-A ..... 28, 82, 121  
 SS56C1/3M-4-A-NV ..... 36, 86, 125  
 SS56C1/3M-4-B ..... 32, 84, 123  
 SS56C1/3M-4-RB-A ..... 30, 83, 122  
 SS56C1/3M-4-RB-A-NV ..... 37, 87, 126  
 SS56C1/3M-4-RB-B ..... 34, 85, 124  
 SS56C3/4M-2-A ..... 28, 82, 121  
 SS56C3/4M-2-A-NV ..... 36, 86, 125  
 SS56C3/4M-2-B ..... 32, 84, 123  
 SS56C3/4M-2-RB-A ..... 30, 83, 122  
 SS56C3/4M-2-RB-A-NV ..... 37, 87, 126  
 SS56C3/4M-2-RB-B ..... 34, 85, 124  
 SS56C3/4M-4-A ..... 28, 82, 121  
 SS56C3/4M-4-A-NV ..... 36, 86, 125  
 SS56C3/4M-4-B ..... 32, 84, 123  
 SS56C3/4M-4-RB-A ..... 30, 83, 122  
 SS56C3/4M-4-RB-A-NV ..... 37, 87, 126  
 SS56C3/4M-4-RB-B ..... 34, 85, 124  
 SS56C3/4M-6-A ..... 28, 82, 121  
 SS56C3/4M-6-B ..... 32, 84, 123  
 SS56C3/4M-6-RB-A ..... 30, 83, 122  
 SS56C3/4M-6-RB-B ..... 34, 85, 124

**T**

TC-215TP ..... 60  
 TC-320TP ..... 60  
 TC-360TP ..... 60  
 TC-400TP ..... 60  
 TC-445TP ..... 60  
 TC-5006P/5008P ..... 60  
 TCPE-250/280TP ..... 60  
 TCPE-320TP ..... 60  
 TCPE-360TP ..... 60  
 TCPE-400TP ..... 60

**V**

V1-100D4-W40416A ..... 50, 94, 135  
 V1-100D4-W40416B ..... 50, 94, 135

V1-100S4-W40416A ..... 50, 94, 135  
 V1-100S4-W40416A-EHT ..... 50, 94, 135  
 V1-10D4-W21510A ..... 49-50, 94, 135  
 V1-125S4-W40516A-EHT ..... 50, 94, 135  
 V1-150S4-W44416A-EHT ..... 50, 94, 135  
 V1-15D4-W25410A ..... 49, 94, 135  
 V1-200S4-W44516A-EHT-14 ..... 50, 94, 135  
 V1-200S4-W44516A-EHT-19 ..... 50, 94, 135  
 V1-20D4-W25610A ..... 49, 94, 135  
 V1-250S4-W44516A-EHT-14 ..... 50, 94, 135  
 V1-250S4-W44516A-EHT-19 ..... 50, 94, 135  
 V1-25D4-W28410A ..... 49, 94, 135  
 V1-25D4-W28410B ..... 49, 94, 135  
 V1-30D4-W28610A ..... 49, 94, 135  
 V1-30D4-W28610B ..... 49, 94, 135  
 V1-30D4-W28616B ..... 49, 94, 135  
 V1-400S4-W500824A-EHT ..... 50, 94, 135  
 V1-40D4-W32416A ..... 49, 94, 135  
 V1-40D4-W32416B ..... 49, 94, 135  
 V1-40S4-W32416A ..... 49, 94, 135  
 V1-40S4-W32416B ..... 49, 94, 135  
 V1-50D4-W32616A ..... 50, 94, 135  
 V1-50D4-W32616B ..... 50, 94, 135  
 V1-50S4-W32616A ..... 50, 94, 135  
 V1-50S4-W32616B ..... 50, 94, 135  
 V1-60D4-W36416A ..... 50, 94, 135  
 V1-60D4-W36416B ..... 50, 94, 135  
 V1-60S4-W36416A ..... 50, 94, 135  
 V1-60S4-W36416B ..... 50, 94, 135  
 V1-75D4-W36516A ..... 50, 94, 135  
 V1-75D4-W36516B ..... 50, 94, 135  
 V1-75S4-W36516A ..... 50, 94, 135  
 V1-75S4-W36516B ..... 50, 94, 135  
 V2-100D4-W40416A ..... 52, 95, 136  
 V2-100D4-W40416B ..... 52, 95, 136  
 V2-100S4-W40416A ..... 52, 95, 136  
 V2-100S4-W40416A-EHT ..... 52, 95, 136  
 V2-10D4-W21510A ..... 51-52, 95, 136  
 V2-125S4-W40516A-EHT ..... 52, 95, 136  
 V2-150S4-W44416A-EHT ..... 52, 95, 136  
 V2-15D4-W25410A ..... 51, 95, 136  
 V2-200S4-W44516A-EHT-14 ..... 52, 95, 136  
 V2-200S4-W44516A-EHT-19 ..... 52, 95, 136  
 V2-20D4-W25610A ..... 51, 95, 136  
 V2-250S4-W44516A-EHT-14 ..... 52, 95, 136  
 V2-250S4-W44516A-EHT-19 ..... 52, 95, 136  
 V2-25D4-W28410A ..... 51, 95, 136  
 V2-25D4-W28410B ..... 51, 95, 136  
 V2-30D4-W28610A ..... 51, 95, 136  
 V2-30D4-W28610B ..... 51, 95, 136  
 V2-40D4-W32416A ..... 51, 95, 136  
 V2-40D4-W32416B ..... 51, 95, 136  
 V2-40S4-W32416A ..... 51, 95, 136  
 V2-40S4-W32416B ..... 51, 95, 136  
 V2-50D4-W32616A ..... 52, 95, 136  
 V2-50D4-W32616B ..... 52, 95, 136



V2-50S4-W32616A..... 52, 95, 136  
 V2-60D4-W36416A..... 52, 95, 136  
 V2-60D4-W36416B ..... 52, 95, 136  
 V2-60S4-W36416A..... 52, 95, 136  
 V2-60S4-W36416B..... 52, 95, 136  
 V2-75D4-W36516A..... 52, 95, 136  
 V2-75D4-W36516B ..... 52, 95, 136  
 V2-75S4-W36516A..... 52, 95, 136  
 V2-75S4-W36516B..... 52, 95, 136  
 VC210-.750 ..... 61-62  
 VC210-.875 ..... 61  
 VC210-1.00 ..... 61  
 VC210-BLANK..... 61  
 VC250/280-.750 ..... 61  
 VC250/280-.875 ..... 61  
 VC250/280-1.00 ..... 61  
 VC250/280-1.188 ..... 61  
 VC250/280-1.25A ..... 61  
 VC250/280-1.25B ..... 61  
 VC250/280-BLANK..... 61  
 VC320/360-1.00 ..... 61  
 VC320/360-1.188 ..... 61  
 VC320/360-1.25A ..... 61  
 VC320/360-1.25B ..... 61  
 VC320/360-1.438 ..... 61  
 VC320/360-1.500 ..... 61  
 VC320/360-BLANK..... 61  
 VC400-1.188 ..... 61  
 VC400-1.25A ..... 61  
 VC400-1.25B ..... 61  
 VC400-1.438 ..... 61  
 VC400-1.50 ..... 61  
 VC400-1.563 ..... 61  
 VC400-1.688 ..... 61  
 VC400-1.813 ..... 61  
 VC400-BLANK..... 61  
 VC440-1.438 ..... 61  
 VC440-1.500 ..... 61  
 VC440-1.688 ..... 61  
 VC440-1.750 ..... 61  
 VC440-1.938 ..... 61  
 VC440-2.188 ..... 61  
 VC440-BLANK..... 61  
 VC500-1.501 ..... 61  
 VC500-1.688 ..... 61  
 VC500-1.751 ..... 61  
 VC500-1.813 ..... 61  
 VC500-1.938 ..... 61  
 VC500-2.001 ..... 61  
 VC500-2.188 ..... 61  
 VC500-2.251 ..... 61  
 VC500-BLANK..... 61

Footer No.	Note
1	56CH Frames: Feet are dual drilled for 56C and 143/5T mounting flexibility
2	575V only
3	High efficiency design
4	NEMA premium efficiency design®
5	C-Flange field conversion kits
6	Removable feet on 56C/CH motors only
7	Does not have manual overload protection
8	NEMA Premium® (NEMA MG-1, Table 12-12)
9	Inverter Duty (20:1 Variable Torque; 10:1 Constant Torque)
10	12-lead part wind start at 230V
11	6-lead part wind start at 460V
12	Ball bearing on drive end
13	Insulated bearing on opposite drive end
14	Equipped with terminal blocks as standard
15	Inverter Rated (10:1 Variable Torque; 5:1 Constant Torque)
16	C- and D- Flange conversion kits
17	12-lead part wind start at 460V
18	D-Flange conversion kits
19	Roller Bearing on Drive End
20	Dual drilled feet for mounting flexibility
21	EISA Compliant (MG-1, Part 31, Table 12-11)
22	Part wind start capable as 230V
23	Part wind start capable as 480V
24	The Fractional HP motors on this page are not currently required to, and may not meet NEMA MG-1, Table 12-12 for NEMA Premium Efficiency®. These motors are in compliance with EISA regulations.
25	460V only
26	Suitable for part wind start on 230V
27	Suitable for part wind start on 460V
28	Zinc Plate Steel Frame Construction
29	Extra High Thrust, Double Stacked Bearing Design
30	Please reference pp. 51 – 52 for parts and accessories, or contact us at 800-884-0404 for assistance.
31	This is NOT a complete phase converter system
32	Dodge® is a trademark of Baldor Electric Company, which does not sponsor or authorize, or is otherwise affiliated with this product.
33	Premium Efficient Model
34	Permanently lubed bearings



## Continuing Education

North American Electric's continuing education courses were created with you in mind to provide information, tools, technical support, and training to sell, install, and support low voltage AC drives.



At NAE University we provide you with in-depth, hands on training that is designed for the beginner to the expert. The class will consist of a general overview and lab exercises of motor controls and their applications.

Our class will provide basic control programming training to in-depth product information and one on one time with our engineers that will be demonstrating how to solve complex issues in the field to give you the solutions for your applications.



**NAE offers high quality control panels at competitive prices with fast shipping.**



NAE offers a wide range of pre-designed and custom motor control panels using NEMA 3R, NEMA 4, NEMA 12 and NEMA 4X enclosure to meet your application needs.

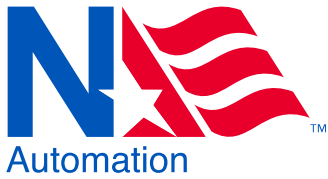
Pre-designed control panels offer:

- In-stock components for short lead times
- Detailed schematic drawings and component/wire labeling for ease of maintenance and troubleshooting
- Automated precision cut-outs completed in-house for fast assembly and quick turn-around
- Quality inspection of each control panel prior to shipment.
- All NAE control panels are UL certified
- Most standard control panels are assembled and shipped as quick as 24 hrs to 2 weeks
- Standard two (2) year warranty with optional warranty upgrades
- Free technical support

Need a custom panel? NAE offers customers the ability to custom configure and order their control panel to meet their specific needs and have it shipped quickly.

Choose North American Electric for your control panels where we make Motor Controls Easy. Visit our website to see more motors control panels at [naemotors.com](http://naemotors.com).





## NAE Automation provides complete system integration capabilities.



NAE Automation specializes in electrical control system design for warehouse and distribution facilities that include robotic integration, PLC programming, and panel fabrication systems for material handling, food and beverage, oil and gas, wastewater, aquaculture and aggregate industries.

NAE Automation has an in-house engineering staff and provides the financial strength that is required to handle extremely large extensive control projects and we'll be there to support you for the long term.

NAE Automation offers a UL 508A certified panel shop where panels can be designed to customer supplied drawings. We also offer field wiring, startup and commissioning services and training. Visit the website to see more about NAE Automation at [naeautomation.com](http://naeautomation.com).



### Industries We Service

- Distribution
- Manufacturing
- Food & Beverage
- Tire & Automotive
- Baggage Handling
- Parcel Handling

### Areas of Expertise

- Conveyor Systems -Package, Pallet & Tote
- Vertical Lifts
- Sorting
- Palleting
- Stretch Wrapping
- Check Weighing
- Strapping Machines
- AS/AR
- Product and Bar-Code Identification
- Order Picking
- Que and Buffering
- Robotics





## Contact Us



**naemotors.com**

▶ Check us out online, or call us at **800-884-0404**

### **North American Electric, LLC**

P.O. Box 130  
350 Vaiden Drive  
Hernando, MS 38632

### **Main Office**

Toll Free: (800) 884-0404  
FAX: (662) 429-8546  
Main: (662) 429-8049

### **Customer Service & Sales**

Toll Free: (800) 884-0404  
Main: (662) 429-8049  
Fax: (662) 429-8546

### **Technical Support / Warranty**

Toll Free: (800) 884-0404  
Main: (662) 429-8049  
Fax: (662) 429-8546

The information in this document is subject to change without notice. NAE assumes no responsibility for any error that may appear in this document.