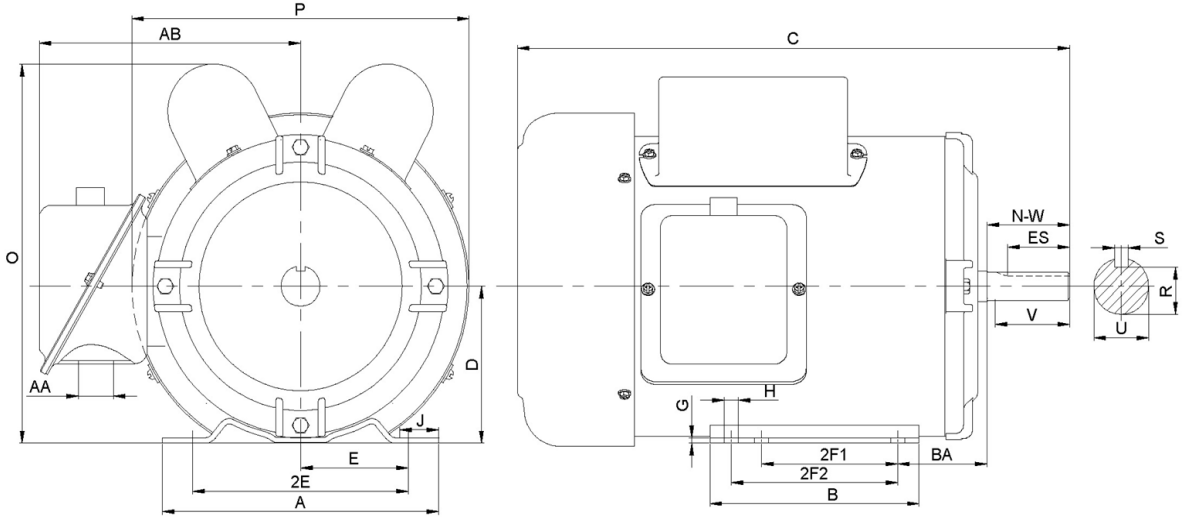


F145T2S4C-MO

FARM DUTY ELECTRIC MOTOR
 HIGH STARTING TORQUE - MANUAL OVERLOAD
 SINGLE PHASE - CAPACITOR START / CAPACITOR RUN
 ROLLED STEEL CONSTRUCTION
 TOTALLY ENCLOSED FAN COOLED



DIMENSIONS

| HP | RPM | Frame | MOUNTING | | | | | | | | | | | | | | |
|----|------|-------|----------|------|-------|-----|------|------|------|------|-----|-----|-----|------|------|----|------|
| | | | A | B | C | D | G | H | J | E | 2E | 2F1 | 2F2 | O | P | T | BA |
| 2 | 1800 | 145T | 6.54 | 5.91 | 14.19 | 3.5 | 0.12 | 0.34 | 1.18 | 2.75 | 5.5 | 4 | 5 | 8.46 | 7.01 | NA | 2.25 |

| Shaft Extension, Key Set | | | | | | Conduit Box | | Bearings | | Mount |
|--------------------------|------|-------|-------|------|------|-------------|------|------------|------------|-------|
| U | V | R | S | ES | N-W | AA | AB | DE | ODE | |
| 0.875 | 2.00 | 0.771 | 0.188 | 1.41 | 2.25 | 0.81 | 6.18 | 6205-2RZC3 | 6203-2RZC3 | F1 |

BEARING LUBRICATION: The bearings come lubricated with Mobil Polyrex EM Polyurea Grease.



F145T2S4C-MO

**FARM DUTY ELECTRIC MOTOR
HIGH STARTING TORQUE - MANUAL OVERLOAD
SINGLE PHASE - CAPACITOR START / CAPACITOR RUN
ROLLED STEEL CONSTRUCTION**

PERFORMANCE DATA

| HP | RPM | Frame | Voltage | Frequency (Hz) | Full Load S.F. | Insulation Class | NEMA Design | Slip (%) | NEMA Code | Enclosure Type | IP Rating | Max. Ambient |
|----|------|-------|--------------|----------------|----------------|------------------|-------------|----------|-----------|----------------|-----------|--------------|
| 2 | 1745 | 145T | 115/208-230V | 60 | 1.15 | F | L | 3.1 | J | TEFC | IP55 | 40°C |

| Amps (230V) | | Efficiency (%) | | | Power Factor | | | Torque (ft-lb) | | | DE Bearing | ODE Bearing | Connection | Weight (lbs.) |
|-------------|------|----------------|-----|------|--------------|------|-----|----------------|-------|-------|------------|-------------|--------------|---------------|
| FLA | LRA | 100% | 75% | 50% | 100% | 75% | 50% | FLT | LRT % | BDT % | | | | |
| 8.3 | 63.0 | 82 | 75 | 67.9 | 0.96 | 0.94 | 0.9 | 6.01 | 293 | 245 | 6205-2RZC3 | 6203-2RZC3 | 5 Lead/P1,P2 | 50 |

| NAME PLATE | | | | | | | |
|---|--------------|------------|--|------|-------|--------|----|
| | | | FARM DUTY HIGH STARTING TORQUE MANUAL OVERLOAD PROTECTION TOTALLY ENCLOSED FAN COOLED | | | | |
| SINGLE PHASE ELECTRIC MOTOR | | | | | | | |
| MODEL | HP | 2 | RPM | 1745 | FRAME | 145T | |
| F145T2S4C-MO | ENCL | TEFC | HZ | 60 | PHASE | 1 | |
| VOLT | 115/208-230V | AMPS | 16.5/9-8.3 | S.F. | 1.15 | DESIGN | L |
| S.F. AMPS | 19/11-9.6 | CLASS | F | CODE | J | LBS | 50 |
| DE BEARING | | 6205-2RZC3 | | | | | |
| ODE BEARING | | 6203-2RZC3 | | | | | |
| MAX AMB. | 40°C | RATING | CONT | | | | |
| SER | | | | | | | |
| General purpose use on equipment and farm duty machinery requiring high starting torques. | | | | | | | |
| Hernando, Mississippi | | | | | | | |

| | |
|---|--|
| <p style="font-size: x-small; text-align: center;">115V LOW VOLTAGE</p> | <p style="font-size: x-small; text-align: center;">208-230V HIGH VOLTAGE</p> |
|---|--|

APPLICATIONS:

General purpose use on pumps, fans, conveyors, poultry equipment, air compressors and other farm duty machinery requiring high starting torques.