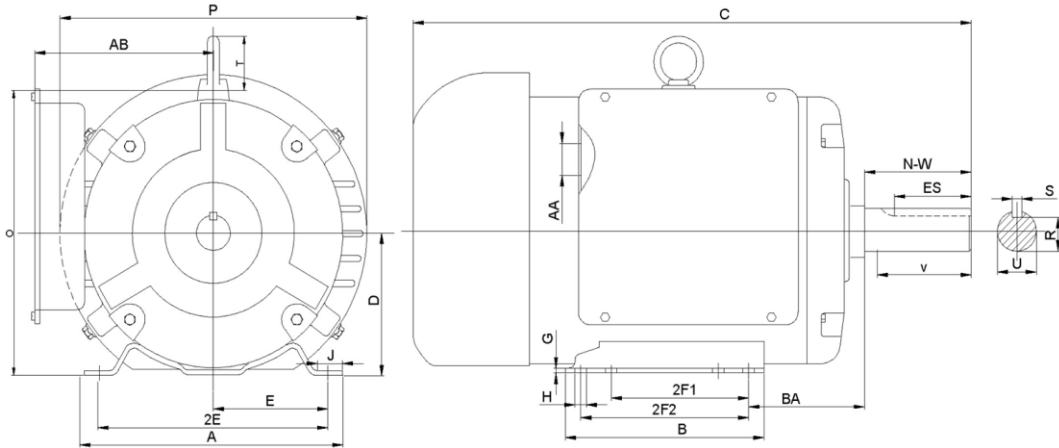




## F213T7.5S4C

**FARM DUTY ELECTRIC MOTOR**  
**HIGH STARTING TORQUE - MANUAL OVERLOAD**  
**SINGLE PHASE - CAPACITOR START / CAPACITOR RUN**  
**ROLLED STEEL CONSTRUCTION**  
**TOTALLY ENCLOSED FAN COOLED**



### DIMENSIONS

HP	RPM	Frame	MOUNTING														
			A	B	C	D	G	H	J	E	2E	2F1	2F2	O	P	T	BA
7.5	1800	213T	10.39	8.5	20.25	5.25	0.16	0.41	1.61	4.25	9.5	5.5	7	10.66	11.61	1.97	3.5

Shaft Extension, Key Set						Conduit Box		Bearings		Mount
U	V	R	S	ES	N-W	AA	AB	DE	ODE	
1.375	3.12	1.201	0.312	2.41	3.38	1.1	7.76	6307-2RZC3	6206-2RZC3	F1

**BEARING LUBRICATION:** The bearings come lubricated with Mobil Polyrex EM Polyurea Grease.





## F213T7.5S4C


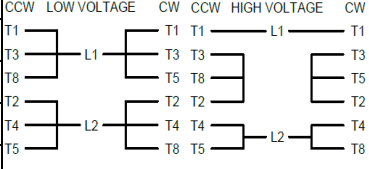



**FARM DUTY ELECTRIC MOTOR**  
**HIGH STARTING TORQUE - MANUAL OVERLOAD**  
**SINGLE PHASE - CAPACITOR START / CAPACITOR RUN**  
**ROLLED STEEL CONSTRUCTION**  
**TOTALLY ENCLOSED FAN COOLED**

### PERFORMANCE DATA

HP	RPM	Frame	Voltage	Frequency (Hz)	Full Load S.F.	Insulation Class	NEMA Design	Slip (%)	NEMA Code	Enclosure Type	IP Rating	Max. Ambient
7.5	1740	213T	208-230/460	60	1.15	F	L	3.3	H	TEFC	55	40 °C

Amps (230V)		Efficiency (%)			Power Factor			Torque (ft-lb)			DE Bearing	ODE Bearing	Connection	Weight (lbs.)
FLA	LRA	100%	75%	50%	100%	75%	50%	FLT	LRT %	BDT %	6307-2RZC3	6206-2RZC3	6 Lead	140
29.5	227.5	84.4	82.0	79.0	0.96	0.96	0.93	22.5	321	240				

### NAME PLATE

		<b>FARM DUTY</b> SINGLE PHASE AC ELECTRIC MOTOR HIGH STARTING TORQUE			
MODEL	HP 7.5	RPM 1740	FRAME 213T		
F213T7.5S4C	ENCL TEFC	HZ 60	PHASE 1		
VOLT 208-230/460	AMPS 34-29.5/15	S.F. 1.15	DESIGN L		
S.F.AMPS 38-35/17.4	CLASS F	CODE H	LBS 140		
EFFICIENCY 84.4 %	P.F. 0.96				
DE BEARING 6307-2RZC3					
ODE BEARING 6206-2RZC3					
MAX AMB. 40 °C	RATING CONT				
SER NO.					
General purpose use on equipment and farm duty machinery requiring high starting torques.					
Hernando, Mississippi					

### APPLICATIONS:

General purpose use on pumps, fans, conveyors, poultry equipment, air compressors and other farm duty machinery requiring high starting torques.